

**Spare Parts Overview**

**Valid from 01.03.2026**

# **High-Speed Doors V 3010**

**For optimised material flow and improved  
efficiency**

**HÖRMANN**

# Hörmann international sales companies and distribution partners



**Hörmann KG  
Verkaufsgesellschaft**  
Upheider Weg 94-98  
D-33803 Steinhagen  
Telefon +49 5204 915-0  
Telefax +49 5204 915-277  
Internet [www.hoermann.com](http://www.hoermann.com)

**Hörmann international sales companies**

**International distribution partners**

## Hörmann international sales companies

**Hörmann Austria**  
A-5310 Mondsee  
[info@hoermann.at](mailto:info@hoermann.at)

**Hörmann Baltic**  
LT-14247 Vilnius r.  
[info@hoermann.lt](mailto:info@hoermann.lt)  
LV-2167 Marupe  
[info@hoermann.lv](mailto:info@hoermann.lv)

**Hörmann Bel**  
BY-220125 Minsk  
[info@hoermann.by](mailto:info@hoermann.by)

**Hörmann Belgium**  
B-3700 Tongeren  
[info@hoermann.be](mailto:info@hoermann.be)

**Hörmann Bulgaria**  
BG-1532 Sofia  
[info.sof@hoermann.bg](mailto:info.sof@hoermann.bg)

**Hörmann Česká republika**  
CZ-252 68 Středokluky  
[info@hoermann.cz](mailto:info@hoermann.cz)

**Hörmann China**  
CN-100176 Beijing  
[sales.tjn@hoermann.cn](mailto:sales.tjn@hoermann.cn)

**Hörmann Danmark**  
DK-8940 Randers  
[info@hoermann.dk](mailto:info@hoermann.dk)

**Hörmann Eesti**  
EST-76505 Saue  
[info.til@hoermann.ee](mailto:info.til@hoermann.ee)

**Hörmann España**  
E-08228 Terrassa  
[info@hoermann.es](mailto:info@hoermann.es)

**Mesvac Oy**  
FI-02420 Jorvas  
[myynti@mesvac.fi](mailto:myynti@mesvac.fi)

**Hörmann France**  
F-89102 Sens Cedex  
[info@hoermann.fr](mailto:info@hoermann.fr)

**Hörmann Hellas**  
GR-19400 Koropi  
[info@hoermann.gr](mailto:info@hoermann.gr)

**Hörmann Hong Kong**  
HK-Quarry Bay  
[info@hoermann.com.hk](mailto:info@hoermann.com.hk)

**Hörmann Hrvatska**  
HR-10290 Zaprešić  
[info@hoermann.hr](mailto:info@hoermann.hr)

**Hörmann Hungária**  
H-2310 Szigetszentmiklós  
[info@hoermann.hu](mailto:info@hoermann.hu)

**Hörmann Indien**  
Shakti Hörmann  
IND-500 043 Hyderabad,  
Telangana  
[sales@shaktihormann.com](mailto:sales@shaktihormann.com)

**Hörmann Indonesia**  
ID-12520 Jakarta  
[info@hoermann.id](mailto:info@hoermann.id)

**Hörmann Dock & Door Ltd.**  
IRL-W23 E6TX Kildare  
[info@hoermann.ie](mailto:info@hoermann.ie)

**Hörmann Italia**  
I-38015 Lavis (Trento)  
[info@hoermann.it](mailto:info@hoermann.it)

**Hörmann Kazachstan**  
KZ-050019 Almaty  
[info@hoermann.kz](mailto:info@hoermann.kz)

**Hörmann Maghreb**  
MA-28810 Mohammedia  
[info@hoermann.ma](mailto:info@hoermann.ma)

**Hörmann Malaysia**  
MAL-40150 Shah Alam,  
Selangor  
[info\\_apac@hoermann.com](mailto:info_apac@hoermann.com)

**Hörmann Mexico**  
MEX-66350  
Santa Catarina  
[info@hoermann.com.mx](mailto:info@hoermann.com.mx)

**Hörmann Middle East & Africa**  
UAE-Dubai  
[info.dxb@hoermann.com](mailto:info.dxb@hoermann.com)

**Hörmann Nederland**  
NL-7324 CV Apeldoorn  
[info@hoermann.nl](mailto:info@hoermann.nl)

**Hörmann Norge**  
N-4640 Sogne  
[info@hoermann.no](mailto:info@hoermann.no)

**Hörmann Polska**  
PL-62-052 Komorniki  
[info@hoermann.pl](mailto:info@hoermann.pl)

**Hörmann Portugal**  
P-2710-297 Sintra  
[info@hoermann.pt](mailto:info@hoermann.pt)

**Hörmann Romania**  
RO-077040, Chiajna,  
Județul Ilfov  
[info@hoermann.ro](mailto:info@hoermann.ro)

**Hörmann Russia**  
RUS-196626  
Sankt Petersburg  
[info@hoermann.ru](mailto:info@hoermann.ru)

**Hörmann Schweiz**  
CH-4702 Oensingen  
[info@hoermann.ch](mailto:info@hoermann.ch)

**Hörmann Serbia**  
SRB-11272  
Beograd-Dobanovci  
[info@hoermann.rs](mailto:info@hoermann.rs)

**Hörmann Slovenija**  
SI-3301 Petrovče  
[info@hoermann.si](mailto:info@hoermann.si)

**Hörmann Slovenská republika**  
SK-903 01 Senec  
[info.bts@hoermann.com](mailto:info.bts@hoermann.com)

**Hörmann Svenska**  
S-70369 Örebro  
[info@hoermann.se](mailto:info@hoermann.se)

**Hörmann Thailand**  
TH-Bangplee,  
Samutprakarn 10540  
[info@hoermann.co.th](mailto:info@hoermann.co.th)

**Hörmann Türkiye**  
TR-34870 Kartal – Istanbul  
[info.ist@hoermann.com.tr](mailto:info.ist@hoermann.com.tr)

**Hörmann UK**  
GB-Leicestershire  
LE67 4JW  
[info@hoermann.co.uk](mailto:info@hoermann.co.uk)

**Hörmann Ukraine**  
UA-08300 Boryspil,  
Kyivska Obl.  
[info@hoermann.com.ua](mailto:info@hoermann.com.ua)

**Hörmann Group Americas**  
USA-Sparta,  
TN 38583  
[info@hoermann.us](mailto:info@hoermann.us)

**Hörmann Vietnam**  
VN-Hanoi  
[info.han@hoermann.vn](mailto:info.han@hoermann.vn)

## International distribution partners

Albania  
Algeria  
Argentina  
Armenia  
Australia  
Azerbaijan  
Balearic Islands

Bangladesh  
Bosnia-Herzegovina  
Brazil  
Cambodia  
Canary Islands  
Chile  
Colombia

Cuba  
Cyprus  
Georgia  
Iceland  
Israel  
Japan  
Kosovo

Laos  
Luxembourg  
Malta  
Moldova  
Mongolia  
Montenegro  
Myanmar

New Zealand  
North Macedonia  
Peru  
South Korea  
Taiwan  
The Philippines  
Tunisia

Turkmenistan  
Uruguay  
Uzbekistan

For more information on our sales companies and sales partners, visit [www.hoermann.com](http://www.hoermann.com).




Our General terms and conditions of sale and delivery valid at the time of the order apply.  
The current version of our General terms and conditions of sale and delivery is available on our website: [www.hoermann.com/en/gtc](http://www.hoermann.com/en/gtc)

Prices in €. Copyright. No part of this price list may be reproduced without our permission. All details subject to change.

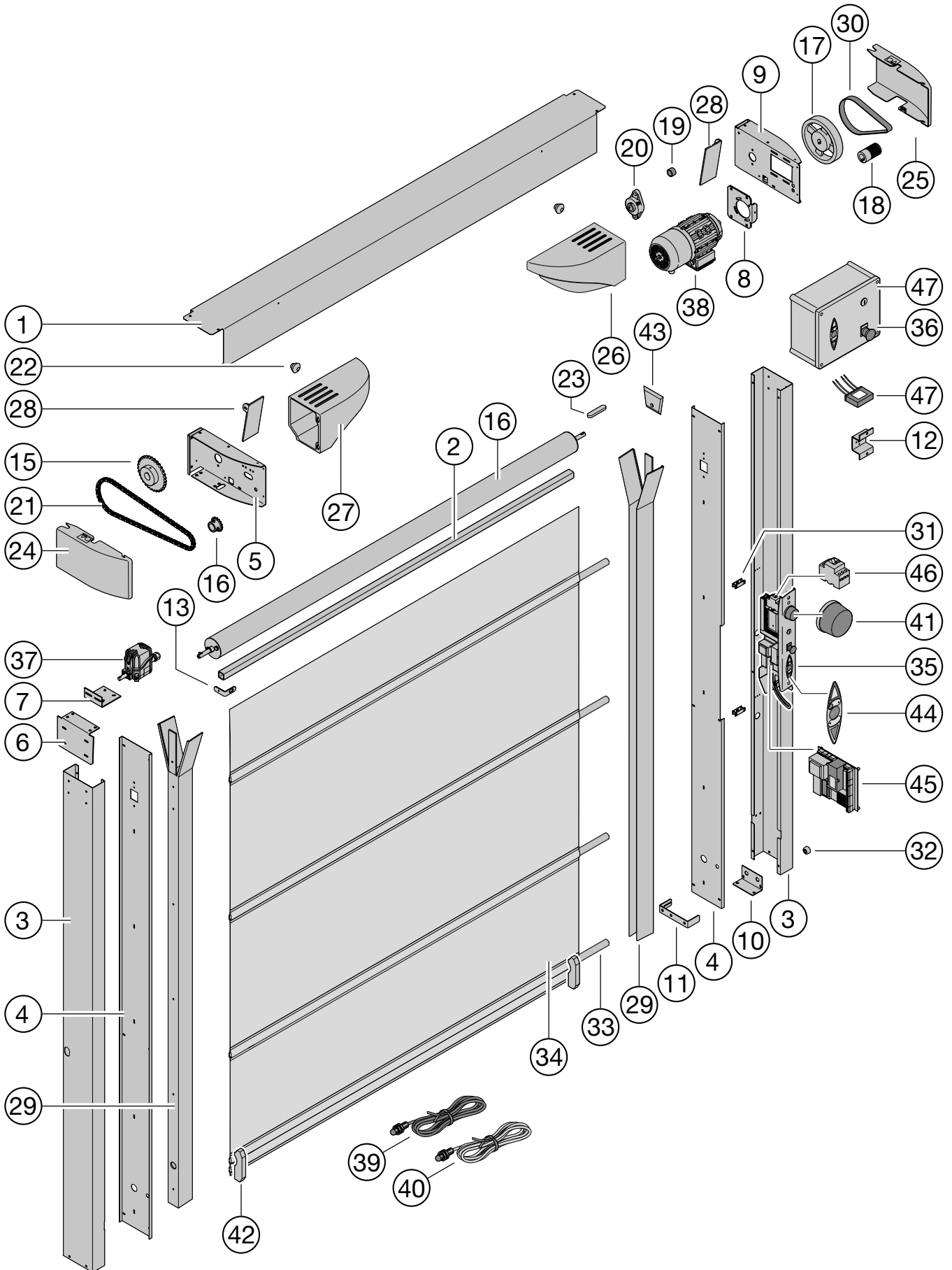
# Contents

■ V 3010	4
■ 1. High-Speed Doors V 3010	5
■ Spare Parts Order Form	13

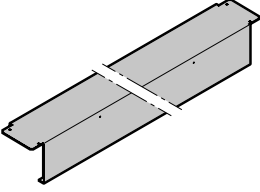
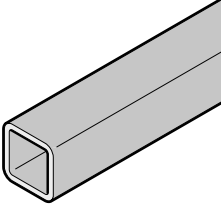
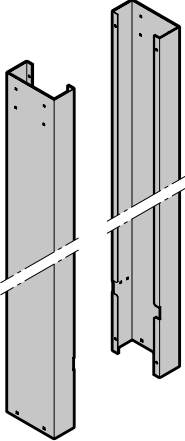
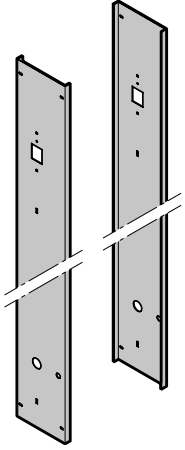
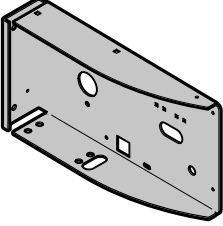
## Symbols Used

Symbol	Description	Symbol	Description
	Price on request	•	Prices marked with a dot indicate articles that are <b>available from stock</b> and available immediately ex works.
	Please note the extended delivery times.		
	Made-to-order goods with delivery time		

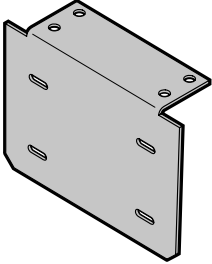
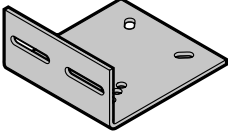
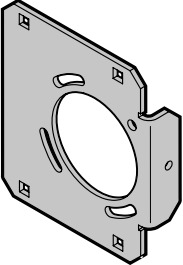
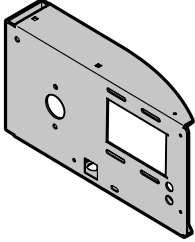
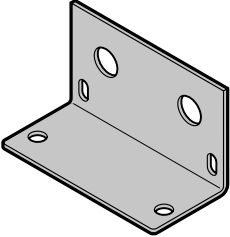
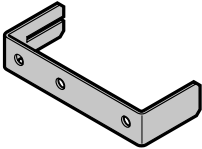
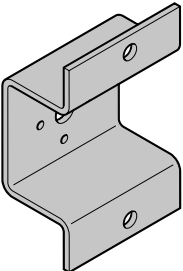
# V 3010



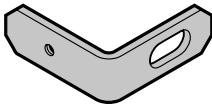
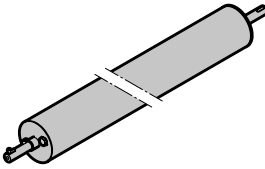
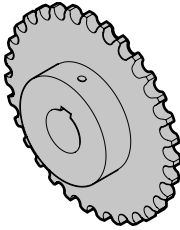
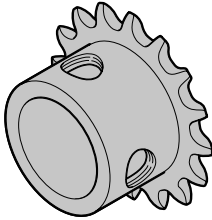
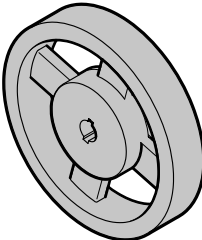
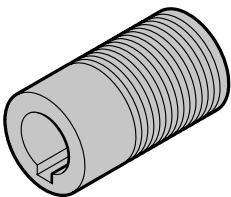
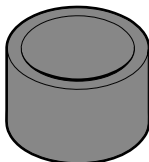
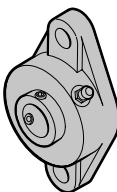
# 1. High-Speed Doors V 3010

Article	Item. Description	Production period	Art.-Nr.	Quantity	€
	<b>1.1 Rail Cover</b>			m	
	galvanized stainless steel	01.03.2021 – 01.03.2021 –	4842235 ⌚ 4842236 ⌚	_____ _____	/m /m
	<b>1.2 Cable Duct 30 x 30</b>	01.03.2021 –	4842237 ⌚	m	/m
	<b>1.3 Upright</b>			m	
	<b>left</b> , galvanized	01.03.2021 –	4842238 ⌚	_____	/m
	<b>left</b> , stainless steel	01.03.2021 –	4842239 ⌚	_____	/m
	<b>right</b> , galvanized	01.03.2021 –	4842244 ⌚	_____	/m
	<b>right</b> , stainless steel	01.03.2021 –	4842245 ⌚	_____	/m
	<b>1.4 Cover</b>			m	
	<b>left</b> , galvanized	01.03.2021 –	4842240 ⌚	_____	/m
	<b>left</b> , stainless steel	01.03.2021 –	4842241 ⌚	_____	/m
	<b>right</b> , galvanized	01.03.2021 –	4842242 ⌚	_____	/m
	<b>right</b> , stainless steel	01.03.2021 –	4842243 ⌚	_____	/m
	<b>1.5 Limit switch Housing</b>			Units	
	galvanized stainless steel	01.03.2021 – 01.03.2021 –	4842246 • 4842247 •	_____ _____	/each /each

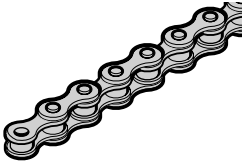
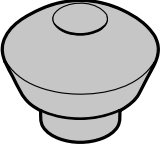
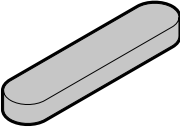
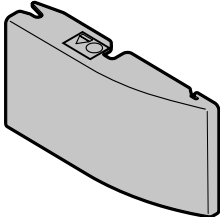
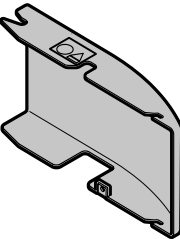
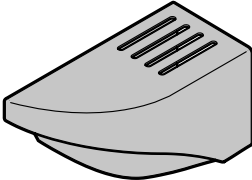
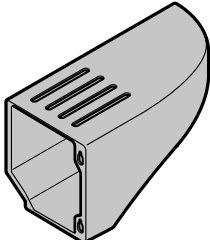
# 1. High-Speed Doors V 3010

Article	Item. Description	Production period	Art.-Nr.	Quantity	€
	<b>1.6 Upright/housing bracket</b>  galvanized stainless steel	01.03.2021 – 01.03.2021 –	4842248 •	Units	
			4842249 •		/each /each
	<b>1.7 Limit switch Bracket</b>  galvanized stainless steel	01.03.2021 – 01.03.2021 –	4842250 •	Units	
			4842251 •		/each /each
	<b>1.8 Motor Plate</b>  galvanized stainless steel	01.03.2021 – 01.03.2021 –	4842252 •	Units	
			4842253 •		/each /each
	<b>1.9 Motor Housing</b>  galvanized stainless steel	01.03.2021 – 01.03.2021 –	4842254 •	Units	
			4842255 •		/each /each
	<b>1.10 Mounting bracket</b>  galvanized stainless steel	01.03.2021 – 01.03.2021 –	4842256 •	Units	
			4842257 •		/each /each
	<b>1.11 Cell bracket</b>  galvanized stainless steel	01.03.2021 – 01.03.2021 –	4842258 •	Units	
			4842259 •		/each /each
	<b>1.12 Omega Flashing Light</b> 1 × (if built-in cabinet) 2 × (if built-in cabinet)	01.03.2021 –	4842260 •	Units	
					/each

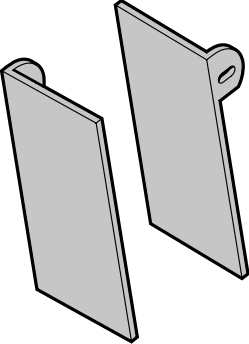
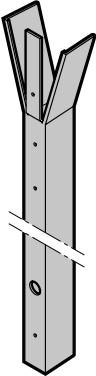
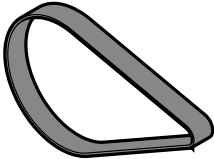
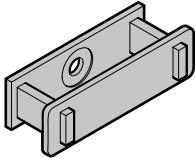
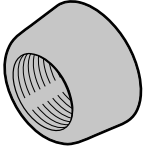
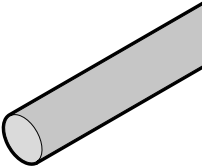
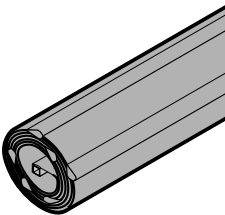
# 1. High-Speed Doors V 3010

Article	Item. Description	Production period	Art.-Nr.	Quantity	€
	<b>1.13 Tube bracket 30 x 30</b> galvanized stainless steel	01.03.2021 – 01.03.2021 –	4842261 • 4842262 •	Units _____ _____	 /each /each
	<b>1.14 Drum Ø 114,3</b> galvanized stainless steel	01.03.2021 – 01.03.2021 –	4842263 ⌚ 4842264 ⌚	Units _____ _____	 /each /each
	<b>1.15 32 tooth pinion</b>	01.03.2021 –	4842265 •	Units _____	 /each
	<b>1.16 15 tooth pinion</b>	01.03.2021 –	4842266 •	Units _____	 /each
	<b>1.17 Pulley Ø 200 mm</b>	01.03.2021 –	4842267 •	Units _____	 /each
	<b>1.18 Pulley Ø 31 mm</b>	01.03.2021 –	4842268 •	Units _____	 /each
	<b>1.19 Spacer</b>	01.03.2021 –	4842269 •	Units _____	 /each
	<b>1.20 UCFL Bearing</b> galvanized stainless steel	01.03.2021 – 01.03.2021 –	4842270 • 4842271 •	Units _____ _____	 /each /each

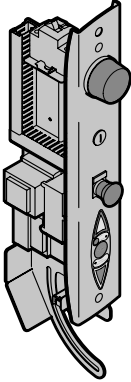

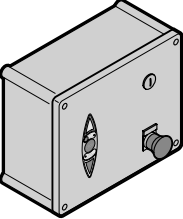
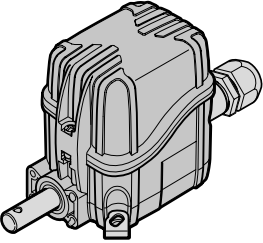
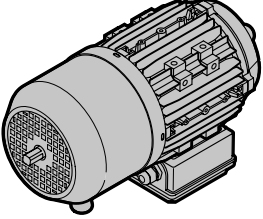
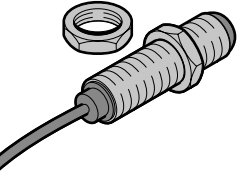
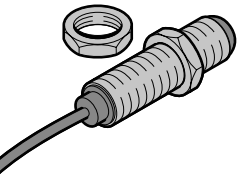
# 1. High-Speed Doors V 3010

Article	Item. Description	Production period	Art.-Nr.	Quantity	€
	<b>1.21 Chain</b> galvanized stainless steel 81-link	01.03.2021 – 01.03.2021 –	4842272 • 4842273 •	Units _____ _____	/each /each
	<b>1.22 Guide Cover</b>	01.03.2021 –	4842274 •	Units _____	/each
	<b>1.23 Key A</b> 6 × 6 × 25 mm	01.03.2021 –	4842275 •	Units _____	/each
	<b>1.24 Limit switch Housing Cover</b>	01.03.2021 –	4842276 •	Units _____	/each
	<b>1.25 Motor Housing Cover</b>	01.03.2021 –	4842277 •	Units _____	/each
	<b>1.26 Motor Cover</b>	01.03.2021 –	4842278 •	Units _____	/each
	<b>1.27 Limit switch Cover</b>	01.03.2021 –	4842279 •	Units _____	/each

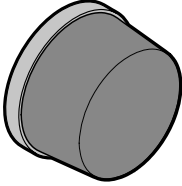
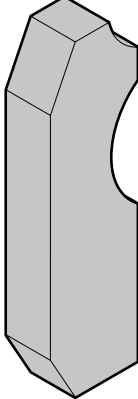
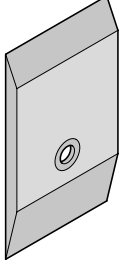

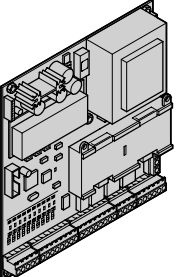
# 1. High-Speed Doors V 3010

Article	Item. Description	Production period	Art.-Nr.	Quantity	€
	<b>1.28 Screen Guide</b> right left	01.03.2021 – 01.03.2021 –	4842280 • 4842281 •	Units _____ _____	 /each /each
		<b>1.29 Semi-rigid Runner</b>	01.03.2021 –	4842282 •	Units _____
	<b>1.30 Hutchinson Belt</b>	01.03.2021 –	4842283 •	Units _____	/each
	<b>1.31 Cable Connector</b>	01.03.2021 –	4842284 •	Units _____	/each
	<b>1.32 M12 Conical Nut</b>	01.03.2021 –	4842285 •	Units _____	/each
	<b>1.33 Round Composite Snap Ring</b> variabel	01.03.2021 –	4842286 •	Units _____	/m
	<b>1.34 Curtain</b> galvanized stainless steel	01.03.2021 – 01.03.2021 –	4842287 ⌚ 4842288 ⌚	Units _____ _____	/each /each

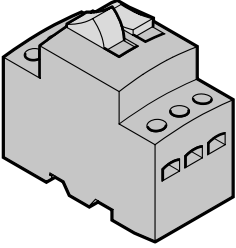
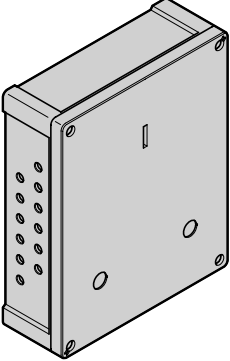
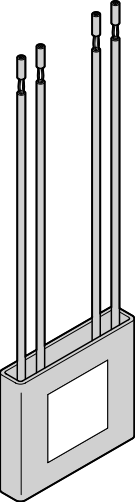
# 1. High-Speed Doors V 3010

Article	Item. Description	Production period	Art.-Nr.	Quantity	€
	<b>1.35 MaviOne right-hand integrated control panel</b>	01.03.2021 –	4842289 	Units _____	/each
	<b>1.36 MaviOne remote control panel</b>	01.03.2021 –	4842290 •	Units _____	/each
	<b>1.37 Limit switch 1/25</b>	01.03.2020 –	4842292 •	Units _____	/each
	<b>1.38 Motor 0,37 kW</b>	01.03.2021 –	4842293 •	Units _____	/each
	<b>1.39 PB10 Receiver Cell</b>	01.03.2020 –	4842150 •	Units _____	/each
	<b>1.40 PB10 Emitter Cell</b>	01.03.2020 –	4842122 •	Units _____	/each

# 1. High-Speed Doors V 3010

Article	Item. Description	Production period	Art.-Nr.	Quantity	€
	<b>1.41 Flashing Light</b> 1 × (if built-in cabinet) 2 × (if built-in cabinet) <b>NOTE</b> polarised lights	01.03.2021 –	4842294 •	Units _____	/each
	<b>1.42 Occultation Piece</b>	01.03.2021 –	4842295 •	Units _____	/each
	<b>1.43 Spacer</b>	01.03.2021 –	4842296 •	Units _____	/each
	<b>1.44 Touch Keypad</b>	01.03.2021 –	4842297 •	Units _____	/each
	<b>1.45 StartIndus Card</b>	01.03.2021 –	4842298 •	Units _____	/each

# 1. High-Speed Doors V 3010

Article	Item. Description	Production period	Art.-Nr.	Quantity	€
	1.46 Motor circuit- breaker	01.03.2021 -	4842299 •	Units _____	/each
	1.47 Empty	01.03.2021 -	4842300 •	Units _____	/each
	1.48 Brake rectifier	01.03.2021 -	4842301 •	Units _____	/each



# Brand quality for residential and commercial construction

The family-owned company Hörmann offers all important construction components for building and renovating projects from a single source. We manufacture in highly-specialised factories using the latest production technologies. Furthermore, our employees work intensively on new products, continual further developments and improvements to details. The results are patents and one-of-a-kind products you can depend on.

