

**Spare Parts Overview**

**Valid from 01.03.2026**

# High-speed folding doors

**F 6010 / F 6010 Iso**

**F 4010 Cold**

**F 8005**

**HÖRMANN**

# Hörmann international sales companies and distribution partners



**Hörmann KG  
Verkaufsgesellschaft**  
Upheider Weg 94-98  
D-33803 Steinhagen  
Telefon +49 5204 915-0  
Telefax +49 5204 915-277  
Internet www.hoermann.com

**Hörmann international sales companies**

**International distribution partners**

## Hörmann international sales companies

**Hörmann Austria**  
A-5310 Mondsee  
info@hoermann.at

**Hörmann Baltic**  
LT-14247 Vilnius r.  
info@hoermann.lt  
LV-2167 Marupe  
info@hoermann.lv

**Hörmann Bel**  
BY-220125 Minsk  
info@hoermann.by

**Hörmann Belgium**  
B-3700 Tongeren  
info@hoermann.be

**Hörmann Bulgaria**  
BG-1532 Sofia  
info.sof@hoermann.bg

**Hörmann Česká republika**  
CZ-252 68 Středokluky  
info@hoermann.cz

**Hörmann China**  
CN-100176 Beijing  
sales.tjn@hoermann.cn

**Hörmann Danmark**  
DK-8940 Randers  
info@hoermann.dk

**Hörmann Eesti**  
EST-76505 Saue  
info.tll@hoermann.ee

**Hörmann España**  
E-08228 Terrassa  
info@hoermann.es

**Mesvac Oy**  
FI-02420 Jorvas  
myynti@mesvac.fi

**Hörmann France**  
F-89102 Sens Cedex  
info@hoermann.fr

**Hörmann Hellas**  
GR-19400 Koropi  
info@hoermann.gr

**Hörmann Hong Kong**  
HK-Quarry Bay  
info@hoermann.com.hk

**Hörmann Hrvatska**  
HR-10290 Zaprešić  
info@hoermann.hr

**Hörmann Hungária**  
H-2310 Szigetszentmiklós  
info@hoermann.hu

**Hörmann Indien**  
Shakti Hörmann  
IND-500 043 Hyderabad,  
Telangana  
sales@shaktihoermann.com

**Hörmann Indonesia**  
ID-12520 Jakarta  
info@hoermann.id

**Hörmann Dock & Door Ltd.**  
IRL-W23 E6TX Kildare  
info@hoermann.ie

**Hörmann Italia**  
I-38015 Lavis (Trento)  
info@hoermann.it

**Hörmann Kazachstan**  
KZ-050019 Almaty  
info@hoermann.kz

**Hörmann Maghreb**  
MA-28810 Mohammedia  
info@hoermann.ma

**Hörmann Malaysia**  
MAL-40150 Shah Alam,  
Selangor  
info\_apac@hoermann.com

**Hörmann Mexico**  
MEX-66350  
Santa Catarina  
info@hoermann.com.mx

**Hörmann Middle East & Africa**  
UAE-Dubai  
info.dxb@hoermann.com

**Hörmann Nederland**  
NL-7324 CV Apeldoorn  
info@hoermann.nl

**Hörmann Norge**  
N-4640 Sogne  
info@hoermann.no

**Hörmann Polska**  
PL-62-052 Komorniki  
info@hoermann.pl

**Hörmann Portugal**  
P-2710-297 Sintra  
info@hoermann.pt

**Hörmann Romania**  
RO-077040, Chiajna,  
Județul Ilfov  
info@hoermann.ro

**Hörmann Russia**  
RUS-196626  
Sankt Petersburg  
info@hoermann.ru

**Hörmann Schweiz**  
CH-4702 Oensingen  
info@hoermann.ch

**Hörmann Serbia**  
SRB-11272  
Beograd-Dobanovci  
info@hoermann.rs

**Hörmann Slovenija**  
SI-3301 Petrovče  
info@hoermann.si

**Hörmann Slovenská republika**  
SK-903 01 Senec  
info.bts@hoermann.com

**Hörmann Svenska**  
S-70369 Örebro  
info@hoermann.se

**Hörmann Thailand**  
TH-Bangplee,  
Samutprakarn 10540  
info@hoermann.co.th

**Hörmann Türkiye**  
TR-34870 Kartal – Istanbul  
info.ist@hoermann.com.tr

**Hörmann UK**  
GB-Leicestershire  
LE67 4JW  
info@hoermann.co.uk

**Hörmann Ukraine**  
UA-08300 Boryspil,  
Kyivska Obl.  
info@hoermann.com.ua

**Hörmann Group Americas**  
USA-Sparta,  
TN 38583  
info@hoermann.us

**Hörmann Vietnam**  
VN-Hanoi  
info.han@hoermann.vn

## International distribution partners

Albania  
Algeria  
Argentina  
Armenia  
Australia  
Azerbaijan  
Balearic Islands

Bangladesh  
Bosnia-Herzegovina  
Brazil  
Cambodia  
Canary Islands  
Chile  
Colombia

Cuba  
Cyprus  
Georgia  
Iceland  
Israel  
Japan  
Kosovo

Laos  
Luxembourg  
Malta  
Moldova  
Mongolia  
Montenegro  
Myanmar

New Zealand  
North Macedonia  
Peru  
South Korea  
Taiwan  
The Philippines  
Tunisia

Turkmenistan  
Uruguay  
Uzbekistan

For more information on our sales companies and sales partners, visit [www.hoermann.com](http://www.hoermann.com).




Our General terms and conditions of sale and delivery valid at the time of the order apply.  
The current version of our General terms and conditions of sale and delivery is available on our website: [www.hoermann.com/en/gtc](http://www.hoermann.com/en/gtc)

Prices in €. Copyright. No part of this price list may be reproduced without our permission. All details subject to change.

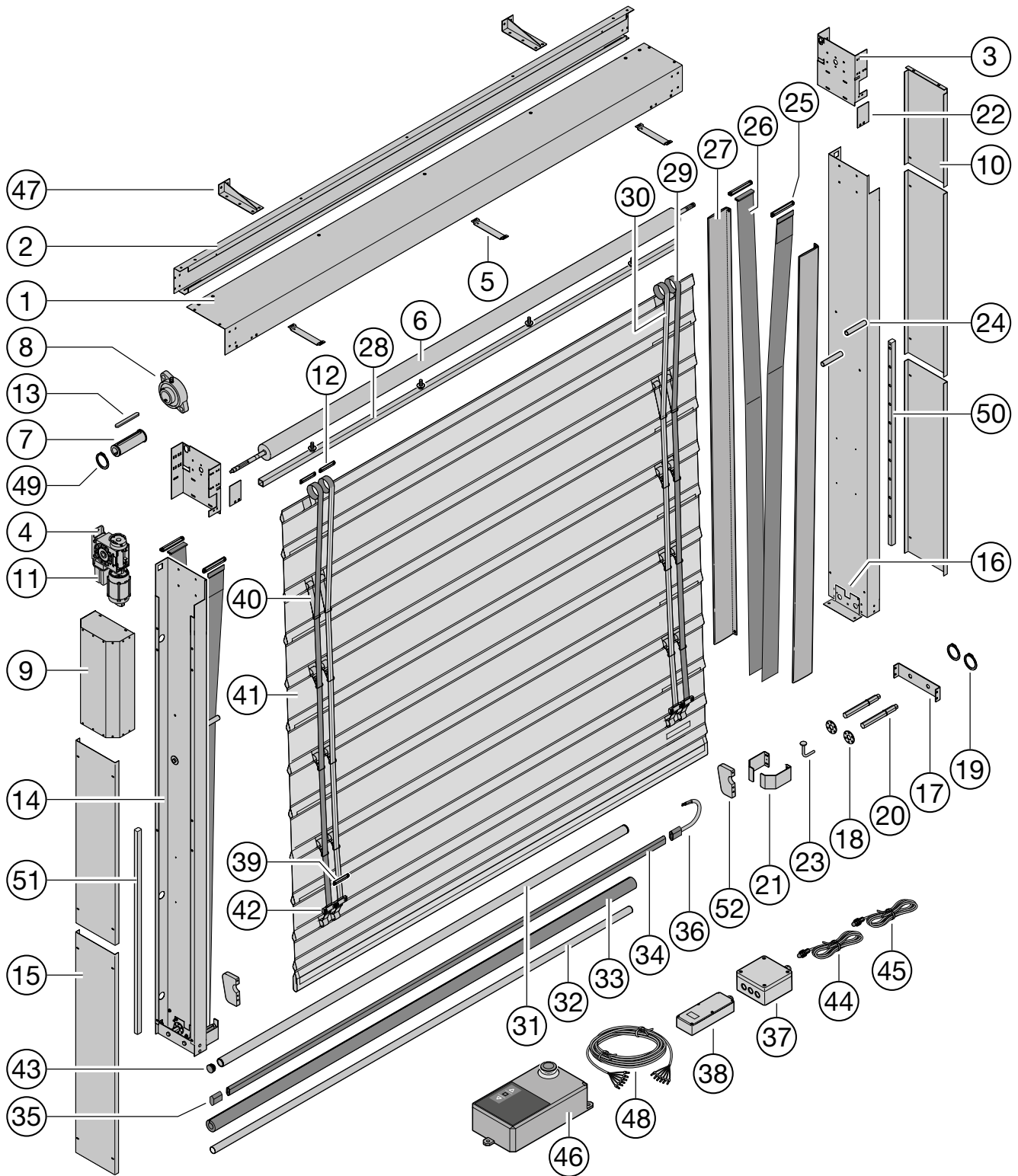
# Contents

■ F 6010 / F 6010 Iso	4
■ 1. High-speed folding doors F 6010 / F 6010 Iso	5
■ F 4010 Cold	12
■ 2. High-speed folding doors F 4010 Cold	13
■ F 8005	19
■ 3. High-speed folding doors F 8005	20
■ Spare Parts Order Form	27

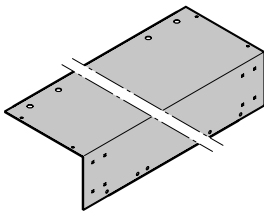
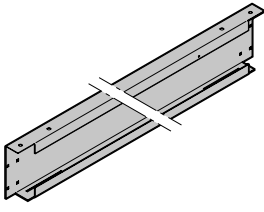
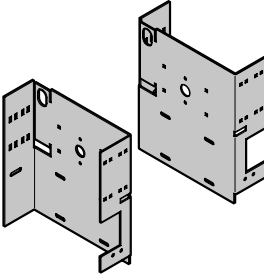
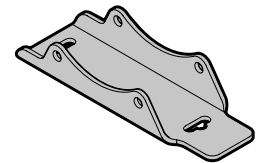
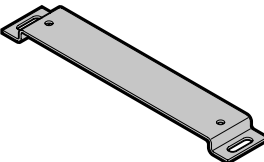
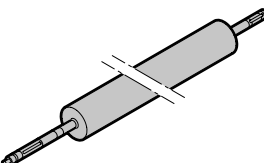
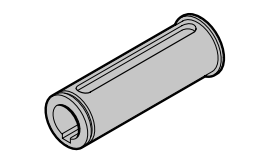
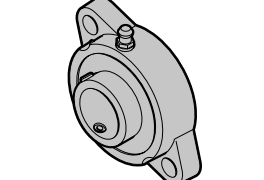
## Symbols Used

Symbol	Description	Symbol	Description
	Price on request	•	Prices marked with a dot indicate articles that are <b>available from stock</b> and available immediately ex works.
	Please note the extended delivery times.		
	Made-to-order goods with delivery time		

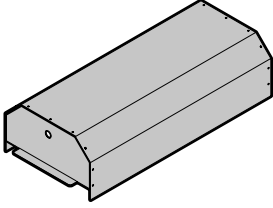
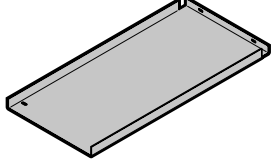
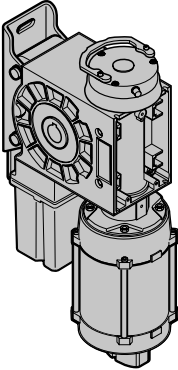
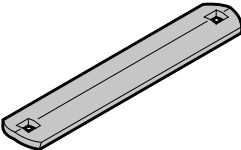
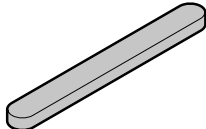
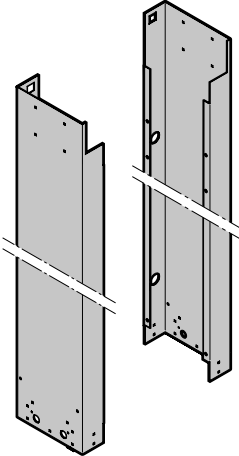
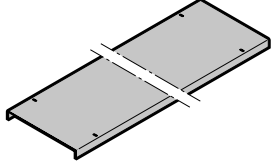
# F 6010 / F 6010 Iso



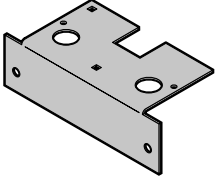
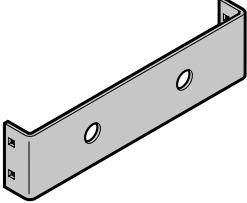
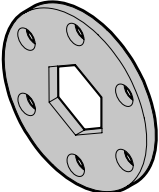

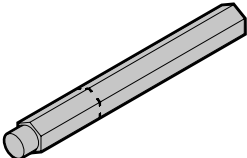
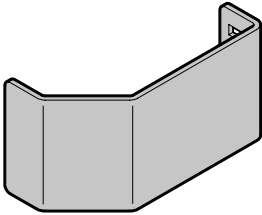
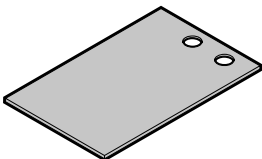
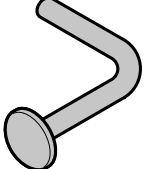
# 1. High-speed folding doors F 6010 / F 6010 Iso

Article	Item. Description	Production period	Art.-Nr.	Quantity	€
	<b>1.1 Horizontal profile in L</b> 115 mm, ≤ 3500 mm 160 mm, > 3500 mm	01.03.2020 – 01.03.2020 –	4842156 4842204	Units _____ _____	/m /m
	<b>1.2 Horizontal profile in C</b> 115 mm, ≤ 3500 mm 160 mm, > 3500 mm	01.03.2020 – 01.03.2020 –	4842157 4842205	Units _____ _____	/m /m
	<b>1.3 Sail</b> <b>left</b> , galvanized <b>right</b> , galvanized <b>left</b> , stainless steel <b>right</b> , stainless steel	01.03.2020 – 01.03.2020 – 01.03.2020 – 01.03.2020 –	4842059 • 4842061 • 4842060 • 4842062 •	Units _____ _____ _____ _____	/each /each /each /each
	<b>1.4 Drive bracket</b> galvanized stainless steel	01.03.2020 – 01.03.2020 –	4842068 • 4842071	Units _____ _____	/each /each
	<b>1.5 Square tube base</b> galvanized stainless steel	01.03.2020 – 01.03.2020 –	4842069 • 4842070 •	Units _____ _____	/each /each
	<b>1.6 Drum</b> 115 mm, ≤ 3500 mm 160 mm, > 3500 mm	01.03.2020 – 01.03.2020 –	4842158 4842173	Units _____ _____	/m /m
	<b>1.7 Sleeve Ø 40 motor</b>	01.03.2020 –	4842072 •	Units _____	/each
	<b>1.8 Bearing Ø 25</b>	01.03.2020 –	4842073 ⚙	Units _____	/each

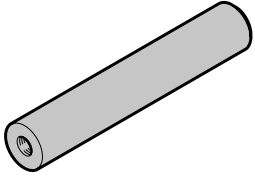
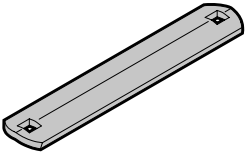
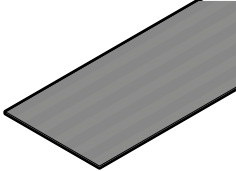
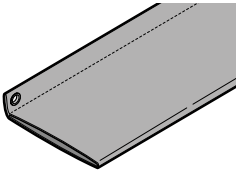
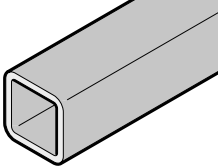
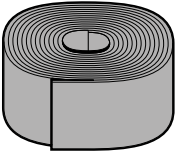
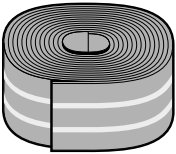
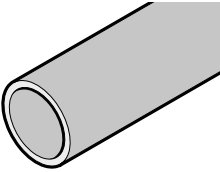
# 1. High-speed folding doors F 6010 / F 6010 Iso

Article	Item. Description	Production period	Art.-Nr.	Quantity	€
	<b>1.9 Motor cover</b>  galvanized stainless steel	01.03.2020 – 01.03.2020 –	4842074 •	Units	/each
			4842075 •		/each
	<b>1.10 Top cover</b>	01.03.2020 –	4842076	Units _____	/m. _____
	<b>1.11 Drive</b>  S3-1,8-90-30-40-DES with vent-screw (F6010 / F6010 Iso) S3.1-1,5-85-17-40-DES NHK with vent-screw (F6010 / F6010 Iso) S3-1,8-90-30-40-DES NHK with vent-screw (F6010 Iso) S3.1-1,5-85-17-40-DES NHK with vent-screw (F6010 Iso)	01.03.2020 – 01.03.2020 – 01.03.2020 – 01.03.2020 –	4842213 •	Units	/each
			4842064 •		/each
			4842066 •		/each
			4842067 •		/each
	<b>1.12 Steel fasteners</b>  galvanized stainless steel	01.03.2020 – 01.03.2020 –	4842206 •	Units	/each
			4842207 •		/each
	<b>1.13 Parallel pin</b>  8 × 7 × 80 mm 12 × 8 × 100 mm	01.03.2020 – 01.03.2020 –	4842077 • 4842078 •	Units _____ _____	/m. _____ /m. _____
	<b>1.14 Jamb</b>  left right	01.03.2020 – 01.03.2020 –	4842159	Units	/m.
			4842160		/m.
	<b>1.15 Cover</b>  variable low	01.03.2020 – 01.03.2020 –	4842161 4842162	Units _____ _____	/m. _____ /m. _____

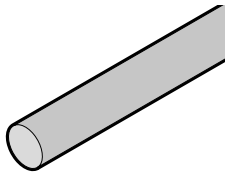
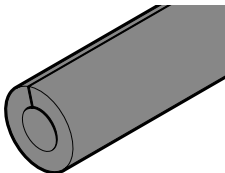
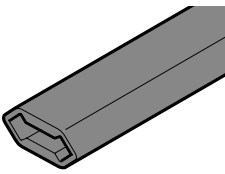
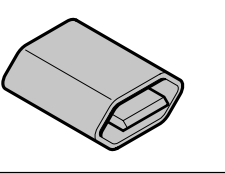
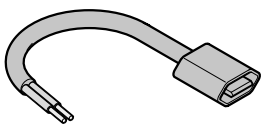
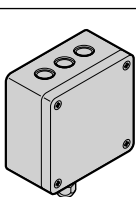
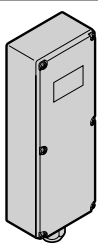
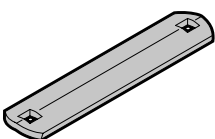
# 1. High-speed folding doors F 6010 / F 6010 Iso

Article	Item. Description	Production period	Art.-Nr.	Quantity	€
	<b>1.16 Jamb foot</b> galvanized stainless steel	01.03.2020 – 01.03.2020 –	4842079 • 4842080 •	Units _____ _____	/each /each
	<b>1.17 Hexagon spare plate</b> galvanized stainless steel	01.03.2020 – 01.03.2020 –	4842081 • 4842082 •	Units _____ _____	/each /each
	<b>1.18 Steel hexagon tension plate</b> galvanized stainless steel	01.03.2020 – 01.03.2020 –	4842083 • 4842084 •	Units _____ _____	/each /each
	<b>1.19 Securing ring shaft Ø 32</b>	01.03.2020 –	4842085 •	Units _____	/each
	<b>1.20 Hexagon</b> <b>≤ 3500 mm</b> 115 mm, galvanized 115 mm, stainless steel <b>&gt; 3500 mm</b> 160 mm, galvanized 160 mm, stainless steel	01.03.2020 – 01.03.2020 – 01.03.2020 – 01.03.2020 –	4842086 • 4842087 • 4842104 • 4842105 •	Units _____ _____ _____ _____	/each /each /each /each
	<b>1.21 Brake shoe protection</b> <b>≤ 3500 mm</b> 115 mm, galvanized 115 mm, stainless steel <b>&gt; 3500 mm</b> 160 mm, galvanized 160 mm, stainless steel	01.03.2020 – 01.03.2020 – 01.03.2020 – 01.03.2020 –	4842088 • 4842089 • 4842106 • 4842107 •	Units _____ _____ _____ _____	/each /each /each /each
	<b>1.22 Jamb cap</b> galvanized stainless steel	01.03.2020 – 01.03.2020 –	4842090 • 4842091 •	Units _____ _____	/each /each
	<b>1.23 Rack pin</b>	01.03.2020 –	4842092 •	Units _____	/each

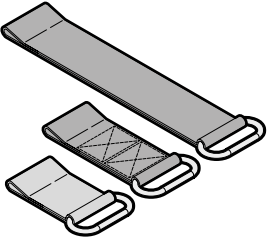

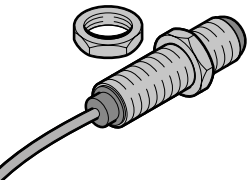
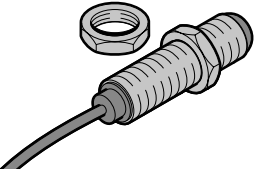
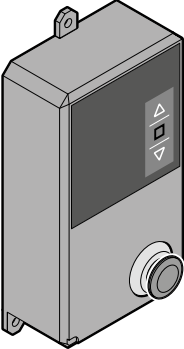
# 1. High-speed folding doors F 6010 / F 6010 Iso

Article	Item. Description	Production period	Art.-Nr.	Quantity	€
	<b>1.24 Guides deflector</b>			Units	
	<b>≤ 3500 mm</b> 115 mm, galvanized	01.03.2020 –	4842174 •	_____	/each
	<b>&gt; 3500 mm</b> 160 mm, galvanized	01.03.2020 –	4842108 •	_____	/each
	160 mm, stainless steel	01.03.2020 –	4842109 •	_____	/each
	<b>1.25 Flexible guides fasteners</b>			Units	
	<b>≤ 3500 mm</b> 115 mm, galvanized	01.03.2020 –	4842110 •	_____	/each
	115 mm, stainless steel	01.03.2020 –	4842111 •	_____	/each
	<b>&gt; 3500 mm</b> 160 mm, galvanized	01.03.2020 –	4842112 •	_____	/each
	160 mm, stainless steel	01.03.2020 –	4842113 •	_____	/each
	<b>1.26 Flexible guides</b>			Units	
	115 mm, ≤ 3500 mm 160 mm, > 3500 mm	01.03.2020 – 01.03.2020 –	• 4842175 •	_____ _____	/m /m
	<b>1.27 Flexible guides cover</b>			Units	
	115 mm, ≤ 3500 mm 160 mm, > 3500 mm	01.03.2020 – 01.03.2020 –	• 4842176	_____ _____	/m /m
	<b>1.28 Square tube 30 x 30 mm</b>			Units	
	115 mm, ≤ 3500 mm 160 mm, > 3500 mm	01.03.2020 – 01.03.2020 –	• 4842177	_____ _____	/m /m
	<b>1.29 Lifting strap</b>	01.03.2020 –	4842166 •	Units _____	/m
	<b>1.30 Security strap</b> yellow / black	01.03.2020 –	4842167 •	Units _____	/m
	<b>1.31 Tube Ø 40</b>			Units	
	115 mm, ≤ 3500 mm 160 mm, > 3500 mm	01.03.2020 – 01.03.2020 –	4842178 • 4842179 •	_____ _____	/m /m

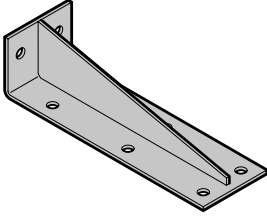
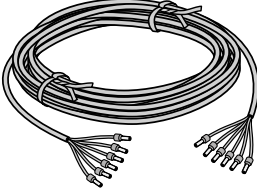

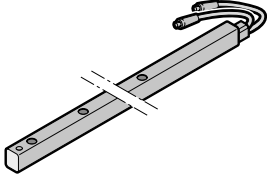
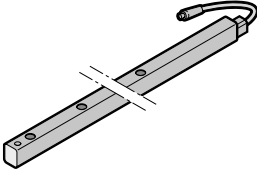
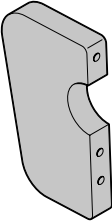
# 1. High-speed folding doors F 6010 / F 6010 Iso

Article	Item. Description	Production period	Art.-Nr.	Quantity	€
	<b>1.32 Composite ring Ø 20</b>  115 mm, ≤ 3500 mm 160 mm, > 3500 mm	01.03.2020 – 01.03.2020 –	4842180 • 4842181 •	Units _____ _____	/m /m
	<b>1.33 Contact receiver foam</b>  115 mm 160 mm	01.03.2020 – 01.03.2020 –	4842182 • 4842183 •	Units _____ _____	/m /m
	<b>1.34 Contact strip</b>  115 mm 160 mm	01.03.2020 – 01.03.2020 –	4842184 • 4842185 •	Units _____ _____	/m /m
	<b>1.35 Resistive end cap</b>  115 mm 160 mm	01.03.2020 – 01.03.2020 –	4842114 • 4842115 •	Units _____ _____	/each /each
	<b>1.36 End cap with cable</b>  115 mm 160 mm	01.03.2020 – 01.03.2020 –	4842116 • 4842117 •	Units _____ _____	/each /each
	<b>1.37 fixed base receiver</b>  115 mm 160 mm	01.03.2020 – 01.03.2020 –	4842118 • 4842119 •	Units _____ _____	/each /each
	<b>1.38 mobile base receiver</b>  115 mm 160 mm	01.03.2020 – 01.03.2020 –	4842120 • 4842121 •	Units _____ _____	/each /each
	<b>1.39 Steel fasteners</b>  galvanized stainless steel	01.03.2020 – 01.03.2020 –	4842093 • 4842094 •	Units _____ _____	/each /each

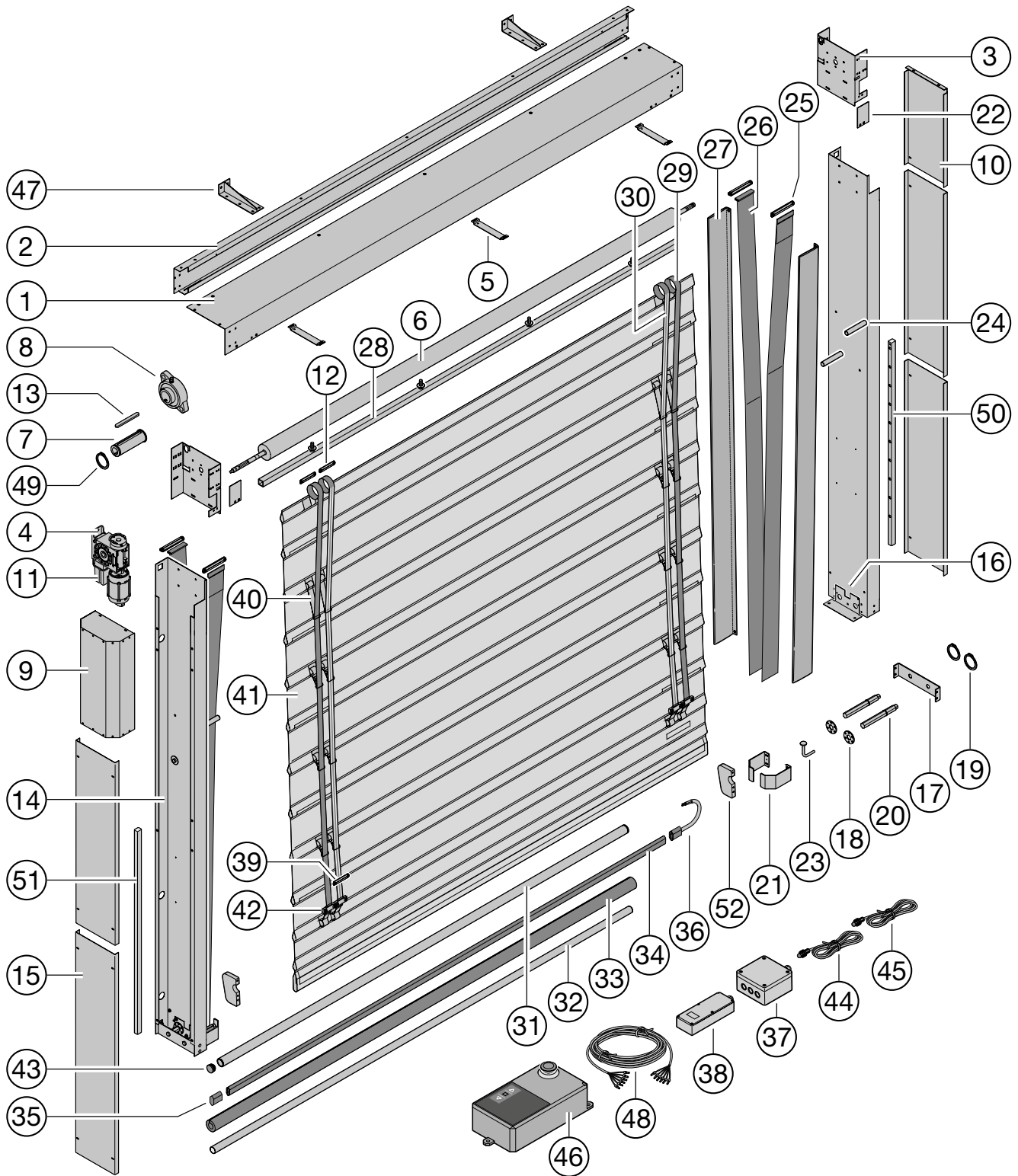
# 1. High-speed folding doors F 6010 / F 6010 Iso

Article	Item. Description	Production period	Art.-Nr.	Quantity	€
	<b>1.40 Handle</b>  high (following dimensions) black grey	01.03.2020 – 01.03.2020 – 01.03.2020 –	4842095 • 4842096 • 4842097 •	Units  _____ _____ _____	  /each /each /each
	<b>1.41 Curtain</b> Ref.: 705 GR  115 mm, ≤ 3500 mm 160 mm, > 3500 mm	01.03.2020 – 01.03.2020 –	4842186 4842187	Units  _____ _____	  /m <sup>2</sup> /m <sup>2</sup>
	<b>1.42 Belt fasteners protection</b>	01.03.2020 –	4842098 •	Units  _____	/each
	<b>1.43 Cap Ø40</b>	01.03.2020 –	4842099 •	Units  _____	/each
	<b>1.44 Photocells EM PB-10</b> only available with art. no.: 4842101	01.03.2020 –	4842122 •	Units  _____	/each
	<b>1.45 Photocells receiver ER PB-10 PNP</b> only available with art. no.: 4842101	01.03.2020 –	4842101 •	Units  _____	/each
	<b>1.46 Control box TST FU3H - FNH FEIG</b>	01.03.2020 –	157240 •	Units  _____	/each

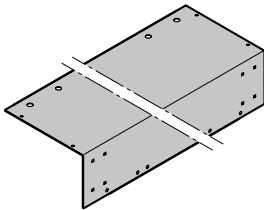
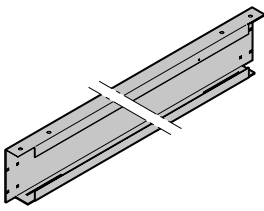
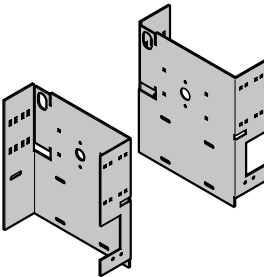
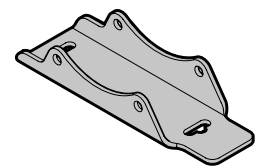
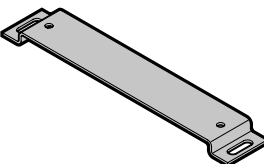
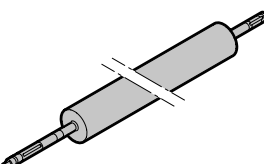
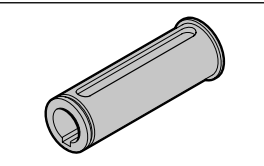
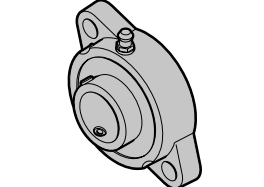
# 1. High-speed folding doors F 6010 / F 6010 Iso

Article	Item. Description	Production period	Art.-Nr.	Quantity	€
	<b>1.47 Fastening bracket</b>  galvanized stainless steel	01.03.2020 – 01.03.2020 –	4842123 • 4842124 •	Units _____ _____	 /each /each
	<b>1.48 Motor cable</b>	01.03.2020 –	157483	Units _____	/each
	<b>1.49 Elastic ring Ø 40</b>	01.03.2020 –	4842103 •	Units _____	/each
	<b>1.50 Light greed receiver</b> 2 × cables	01.03.2020 –	4842125 •	Units _____	/each
	<b>1.51 Light greed transmitter</b> 1 × cable	01.03.2020 –	4842126 •	Units _____	/each
	<b>1.52 Room shading curtain</b>	01.03.2020 –	4842127 •	Units _____	/each

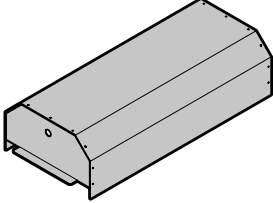
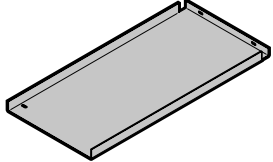
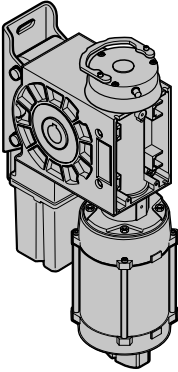
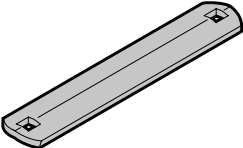
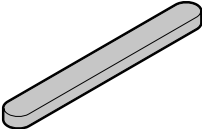
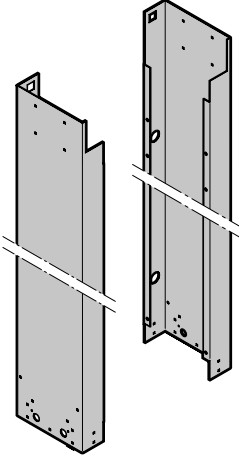
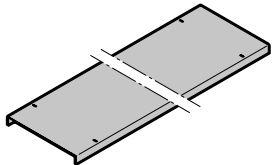
# F 4010 Cold



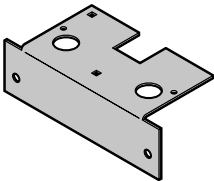
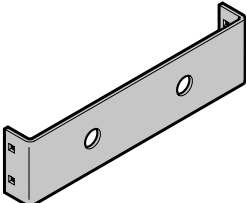
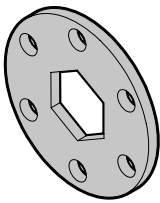

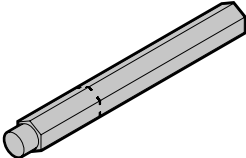
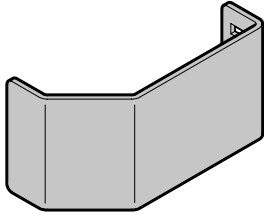
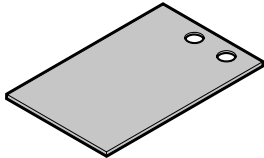
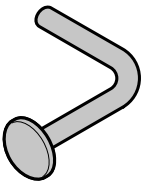
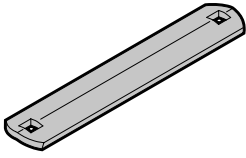
## 2. High-speed folding doors F 4010 Cold

Article	Item. Description	Production period	Art.-Nr.	Quantity	€
	<b>2.1 Horizontal profile in L</b> 115 mm	01.03.2020 –	4842156	Units _____	/m
	<b>2.2 Horizontal profile in C</b> 115 mm	01.03.2020 –	4842157	Units _____	/m
	<b>2.3 Sail</b> <b>left</b> , galvanized <b>right</b> , galvanized <b>left</b> , stainless steel <b>right</b> , stainless steel	01.03.2020 – 01.03.2020 – 01.03.2020 – 01.03.2020 –	4842059 • 4842061 • 4842060 • 4842062 •	Units _____ _____ _____ _____	/each /each /each /each
	<b>2.4 Drive bracket</b> galvanized stainless steel	01.03.2020 – 01.03.2020 –	4842068 • 4842071	Units _____ _____	/each /each
	<b>2.5 Square tube base</b> galvanized stainless steel	01.03.2020 – 01.03.2020 –	4842069 • 4842070 •	Units _____ _____	/each /each
	<b>2.6 Drum</b> 115 mm	01.03.2020 –	4842158	Units _____	/m
	<b>2.7 Sleeve Ø 40 motor</b>	01.03.2020 –	4842072 •	Units _____	/each
	<b>2.8 Bearing Ø 25</b>	01.03.2020 –	4842073 ⌚	Units _____	/each

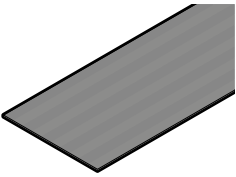
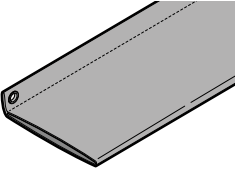
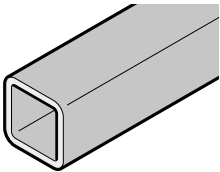
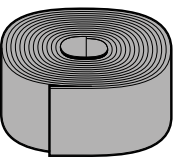
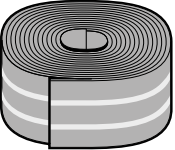
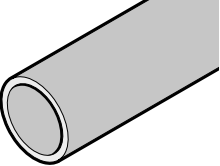
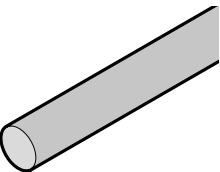
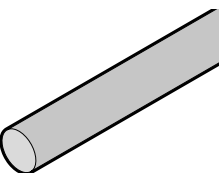
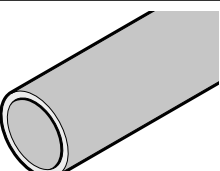
## 2. High-speed folding doors F 4010 Cold

Article	Item. Description	Production period	Art.-Nr.	Quantity	€
	<b>2.9 Motor cover</b>			Units	
	<b>2.10 Motor cover</b> Edelstahl	01.03.2020 – 01.03.2020 –	4842074 • 4842075 •	_____ _____	/each /each
	<b>2.11 Top cover</b>	01.03.2020 –	4842076	Units _____	/each
	<b>2.12 Drive S3-1,8-90-30-40-DES</b>	01.03.2020 –	4842063 •	Units _____	/each
	<b>2.13 Steel fasteners</b>			Units	
	galvanized stainless steel	01.03.2020 – 01.03.2020 –	4842206 • 4842207 •	_____ _____	/each /each
	<b>2.14 Parallel pin</b>			Units	
	8 × 7 × 80 mm 12 × 8 × 100 mm	01.03.2020 – 01.03.2020 –	4842077 • 4842078 •	_____ _____	/each /each
	<b>2.15 Jamb</b>			Units	
	left right	01.03.2020 – 01.03.2020 –	4842159 4842160	_____ _____	/m. /m.
	<b>2.16 Cover</b>			Units	
	variable low	01.03.2020 – 01.03.2020 –	4842161 4842162	_____ _____	/m. /m.

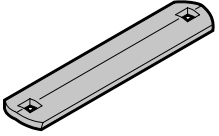
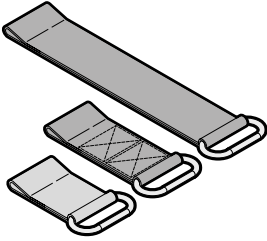
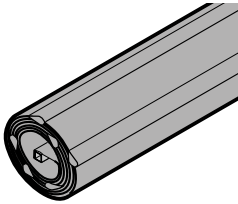
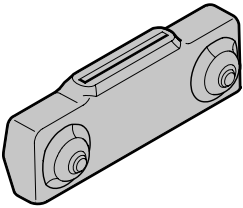

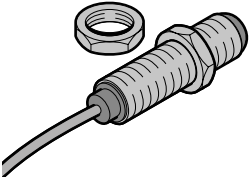
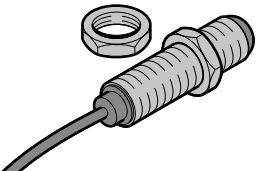
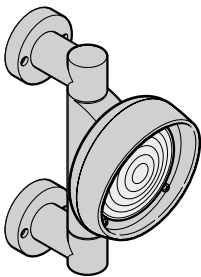
## 2. High-speed folding doors F 4010 Cold

Article	Item. Description	Production period	Art.-Nr.	Quantity	€
	<b>2.17 Jamb foot</b> galvanized stainless steel	01.03.2020 – 01.03.2020 –	4842079 • 4842080 •	Units _____ _____	/each /each
	<b>2.18 Hexagon spare plate</b> galvanized stainless steel	01.03.2020 – 01.03.2020 –	4842081 • 4842082 •	Units _____ _____	/each /each
	<b>2.19 Steel hexagon tension plate</b> galvanized stainless steel	01.03.2020 – 01.03.2020 –	4842083 • 4842084 •	Units _____ _____	/each /each
	<b>2.20 Securing ring shaft Ø 32</b>	01.03.2020 –	4842085 •	Units _____	/each
	<b>2.21 Hexagon</b> 115 mm, galvanized 115 mm, stainless steel	01.03.2020 – 01.03.2020 –	4842086 • 4842087 •	Units _____ _____	/each /each
	<b>2.22 Brake shoe protection</b> 115 mm, galvanized 115 mm, stainless steel	01.03.2020 – 01.03.2020 –	4842088 • 4842089 •	Units _____ _____	/each /each
	<b>2.23 Jamb cap</b> galvanized stainless steel	01.03.2020 – 01.03.2020 –	4842090 • 4842091 •	Units _____	/each /each
	<b>2.24 Rack pin</b>	01.03.2020 –	4842092 •	Units _____	/each
	<b>2.25 Flexible guides fasteners</b> 115 mm, galvanized 115 mm, stainless steel	01.03.2020 – 01.03.2020 –	4842110 • 4842111 •	Units _____ _____	/each /each

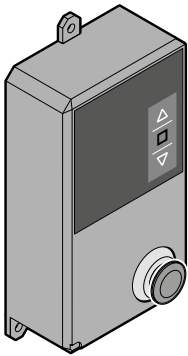
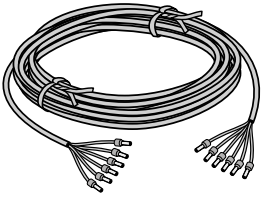
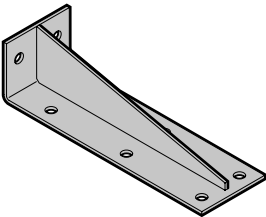
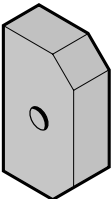
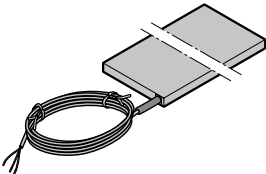

## 2. High-speed folding doors F 4010 Cold

Article	Item. Description	Production period	Art.-Nr.	Quantity	€
	<b>2.26 Flexible guides</b> 115 mm	01.03.2020 –	4842163 •	m _____	/m
	<b>2.27 Flexible guides cover</b> 115 mm	01.03.2020 –	4842164	m _____	/m
	<b>2.28 Square tube 30 x 30 mm</b> 115 mm	01.03.2020 –	4842165 •	m _____	/m
	<b>2.29 Lifting strap</b>	01.03.2020 –	4842166 •	m _____	/m
	<b>2.30 Security strap</b> yellow / black	01.03.2020 –	4842167 •	m _____	/m
	<b>2.31 Tube Ø 40</b>	01.03.2020 –	4842168 •	m _____	/m
	<b>2.32 Composite ring Ø 20 tractor tube</b>	01.03.2020 –	4842169 •	m _____	/m
	<b>2.33 Composite tube Ø 20 spill tube</b>	01.03.2020 –	4842170 •	m _____	/m
	<b>2.34 Composite tube Ø 36 x 24</b>	01.03.2020 –	4842171	m _____	/m

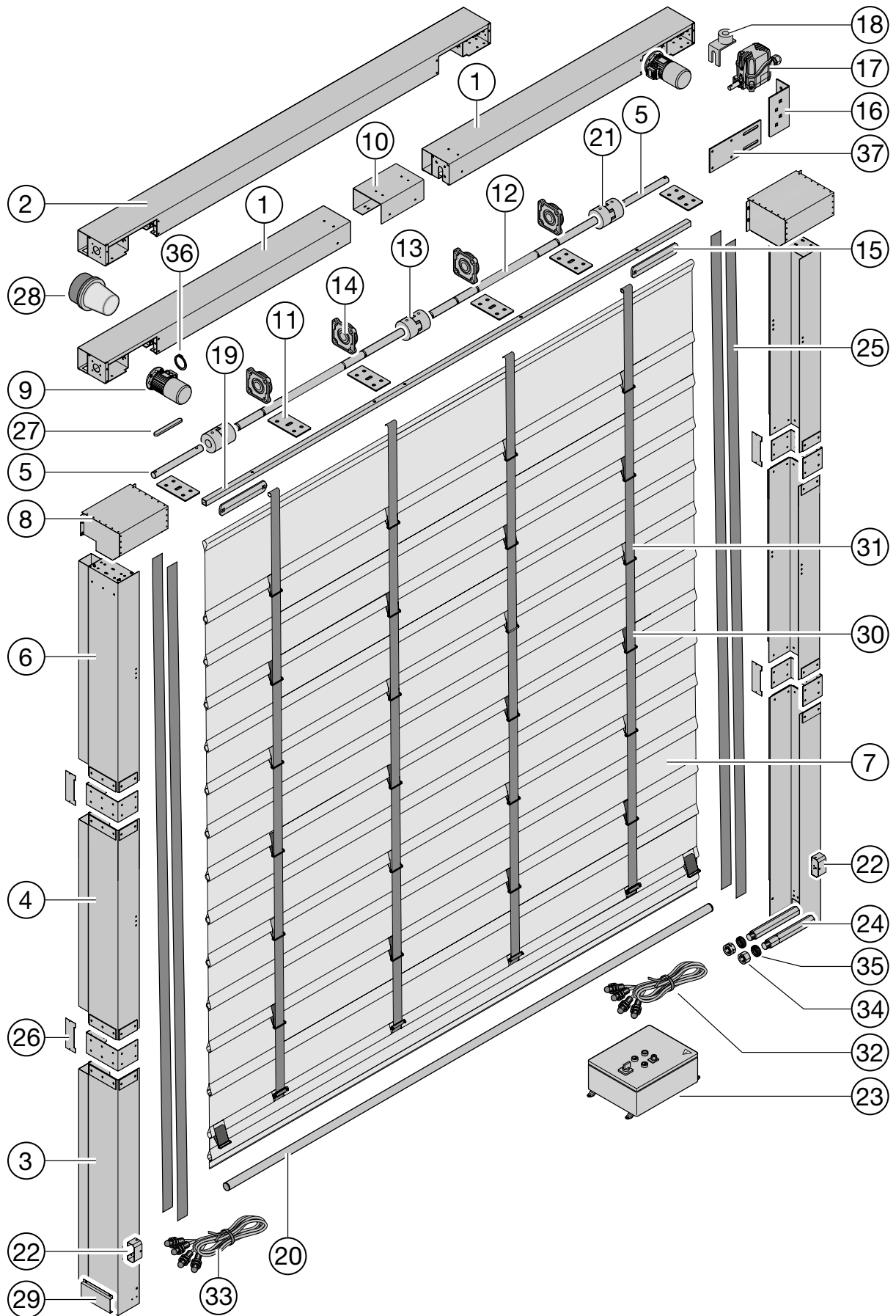
## 2. High-speed folding doors F 4010 Cold

Article	Item. Description	Production period	Art.-Nr.	Quantity	€
	<b>2.35 Steel fasteners</b> galvanized stainless steel	01.03.2020 – 01.03.2020 –	4842093 • 4842094 •	Units _____ _____	/m /m
	<b>2.36 Handle</b> high (following dimensions) black grey	01.03.2020 – 01.03.2020 – 01.03.2020 –	4842095 • 4842096 • 4842097 •	Units _____ _____ _____	/each /each /each
	<b>2.37 Curtain</b> Ref.: 705 GR 115 mm	01.03.2020 –	4842211	Units _____	/m <sup>2</sup>
	<b>2.38 Belt fasteners protection</b>	01.03.2020 –	4842098 •	Units _____	/each
	<b>2.39 Cap Ø 40</b>	01.03.2020 –	4842099 •	Units _____	/each
	<b>2.40 Photocells EM PB-10</b> only available with art. no.: 4842101	01.03.2020 –	4842100 •	Units _____	/each
	<b>2.41 Photocells receiver ER PB-10 PNP</b> only available with art. no.: 4842100	01.03.2020 –	4842101 •	Units _____	/each
	<b>2.42 Low photocells support LED 230 V AC</b>	01.03.2020 –	637534 •	Units _____	/each

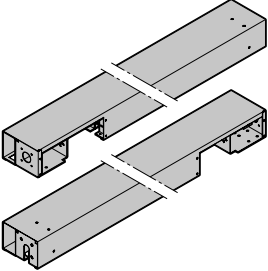
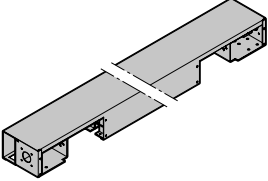
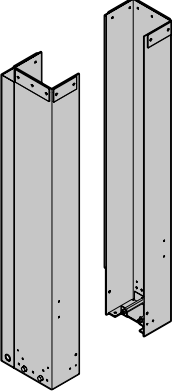
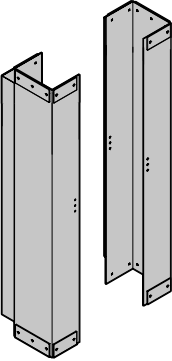
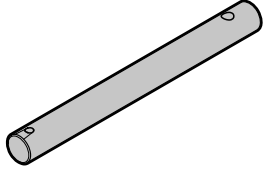
## 2. High-speed folding doors F 4010 Cold

Article	Item. Description	Production period	Art.-Nr.	Quantity	€
	<b>2.43 Control box TST FU3H - FNH FEIG</b>	01.03.2020 –	157240 •	Units _____	/each
	<b>2.44 Motor cable</b>	01.03.2020 –	157483	Units _____	/each
	<b>2.45 Fastening bracket galvanized</b>	01.03.2020 –	4842123 •	Units _____	/each
	<b>2.46 Low photocells support</b>	01.03.2020 –	4842102 •	Units _____	/each
	<b>2.47 Heating plate</b>	01.03.2020 –	4842172 •	Units _____	/each
	<b>2.48 Elastic ring 32</b>	01.03.2020 –	4842103 •	Units _____	/each

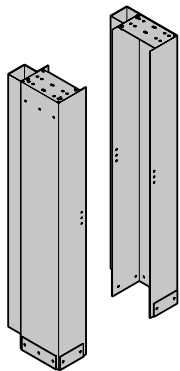
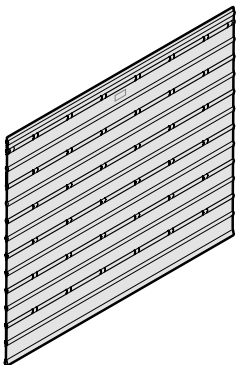
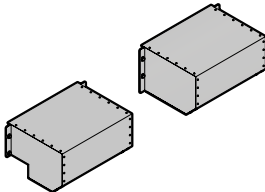
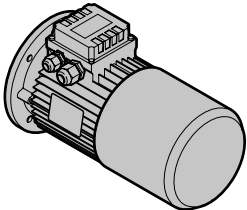
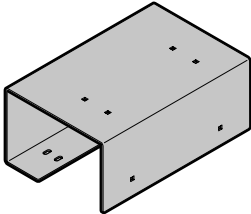
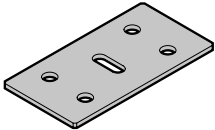
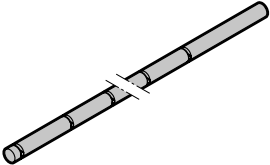
# F 8005



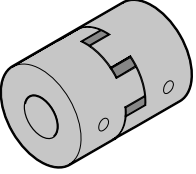
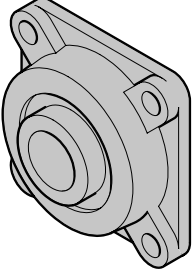
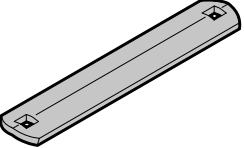
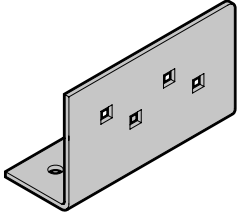
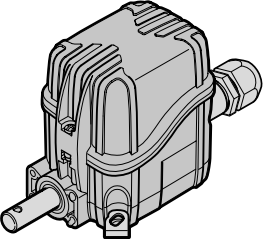
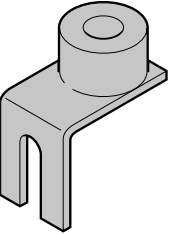
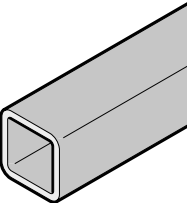
### 3. High-speed folding doors F 8005

Article	Item. Description	Production period	Art.-Nr.	Quantity	€
	<b>3.1 Half-Transom</b>			m	
	< 6500 mm – ≤ 7500 mm				
	Left	01.03.2020 –	4842188	_____	/m
	Right	01.03.2020 –	4842190	_____	/m
	from 7500 mm – ≤ 12220 mm				
	Left	01.03.2020 –	4842189	_____	/m
Right	01.03.2020 –	4842191	_____	/m	
	<b>3.2 Transom In One Part</b>			m	
	≤ 3500	01.03.2020 –	4842192	_____	/m
	< 3500 mm – ≤ 6500 mm	01.03.2020 –	4842193	_____	/m
	<b>3.3 Lower Frame</b>			m	
	Left	01.03.2020 –	4842194	_____	/m
	Right	01.03.2020 –	4842195	_____	/m
	<b>3.4 Intermediary Frame</b>	01.03.2020 –	4842196	m	/m
				_____	
	<b>3.5 Drum</b>			m	
	Left	01.03.2020 –	4842200	_____	/m
	Right	01.03.2020 –	4842197	_____	/m

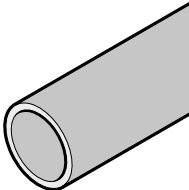
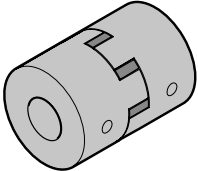
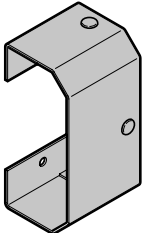
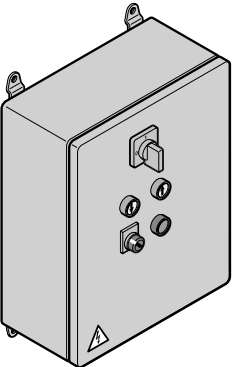
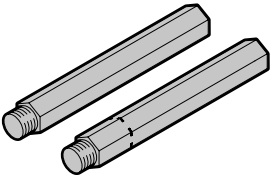
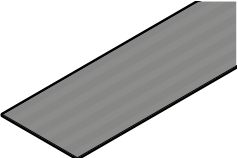
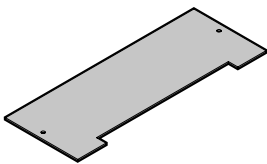
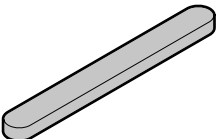
### 3. High-speed folding doors F 8005

Article	Item. Description	Production period	Art.-Nr.	Quantity	€
	<b>3.6 Upper Frame (Variable)</b>			m	
	Left Right	01.03.2020 – 01.03.2020 –	4842198 • 4842199 •	_____ _____	/m /m
	<b>3.7 Curtain</b>	01.03.2020 –	4842201 •	m	/m
	<b>3.8 Cover</b>			Units	
	Left Right	01.03.2020 – 01.03.2020 –	4842128 • 4842129 •	_____ _____	/each /each
	<b>3.9 Motor</b>			Units	
	S3-2,2-3000-1-24-M S3-3-3000-1-24-M	01.03.2020 – 01.03.2020 –	4842130 • 4842208 •	_____ _____	/each /each
	<b>3.10 Linking Part</b>	01.03.2020 –	4842131 •	Units	/each
	<b>3.11 Curtain Fixing Bracket</b>	01.03.2020 –	4842132 •	Units	/each
	<b>3.12 Drum</b>	01.03.2020 –	4842202 •	m	/m

### 3. High-speed folding doors F 8005

Article	Item. Description	Production period	Art.-Nr.	Quantity	€
	<b>3.13 Gear Box Coupling Reducer</b>	01.03.2020 –	4842133 •	Units _____	/each
	<b>3.14 Bearing UCF 207</b>	01.03.2020 –	4842134 •	Units _____	/each
	<b>3.15 Flexible Guide Fixing</b>	01.03.2020 –	4842110 •	Units _____	/each
	<b>3.16 Limit Switch Bracket</b>	01.03.2020 –	4842135 •	Units _____	/each
	<b>3.17 Limit Switch 1/100</b>	01.03.2020 –	4842136 •	Units _____	/each
	<b>3.18 Drive Key</b>	01.03.2020 –	4842137 •	Units _____	/each
	<b>3.19 Squared Tube 30 x 30 mm</b>	01.03.2020 –	4842164 •	m _____	/m

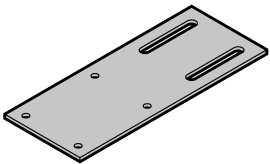
### 3. High-speed folding doors F 8005

Article	Item. Description	Production period	Art.-Nr.	Quantity	€
	<b>3.20 Tube Ø 50 mm</b>	01.03.2020 –	4842203 •	m _____	/m
	<b>3.21 Gear Box Coupling</b> Transom In 2 Parts	01.03.2020 –	4842140 •	Units _____	/each
	<b>3.22 Photocell Bracke</b>	01.03.2020 –	4842215 •	Units _____	/each
	<b>3.23 Control Box</b> 500 × 400 × 200 mm	01.03.2020 –	4842141 •	Units _____	/each
	<b>3.24 Hexagon</b> left right	01.03.2020 – 01.03.2020 –	4842143 • 4842142 •	Units _____ _____	/each /each
	<b>3.25 Flexible Guide</b>	01.03.2020 –	4842163 •	m _____	/m
	<b>3.26 Closing Plate</b>	01.03.2020 –	4842145 •	Units _____	/each
	<b>3.27 Keyway</b> 8 × 7 × 100 mm	01.03.2020 –	4842144 •	Units _____	/each

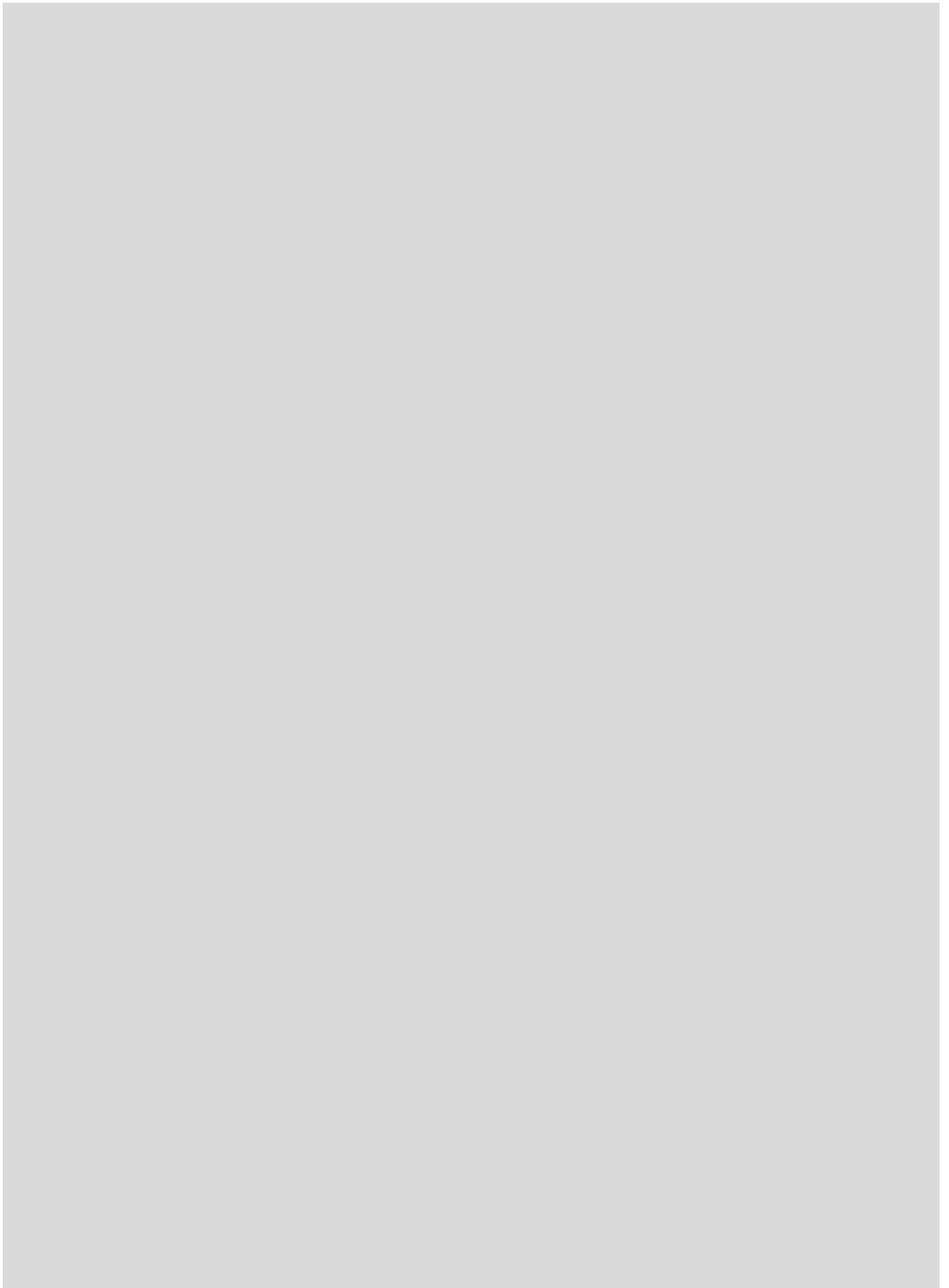
### 3. High-speed folding doors F 8005

Article	Item. Description	Production period	Art.-Nr.	Quantity	€
	<b>3.28 Flashing Light 230 VAC</b>	01.03.2020 –	4842146 •	Units _____	/each
	<b>3.29 Photocell Cover</b>	01.03.2020 –	4842147 •	Units _____	/each
	<b>3.30 Black Handles</b> Lifting Straps	01.03.2020 –	4842148	Units _____	/each
	<b>3.31 Grey Handles</b> Lifting Straps	01.03.2020 –	4842149	Units _____	/each
	<b>3.32 Receiver Photocell PB-10</b>	01.03.2020 –	4842150 •	Units _____	/each
	<b>3.33 Transmitter Photocel PB-10</b>	01.03.2020 –	4842122 •	Units _____	/each
	<b>3.34 Nut M16</b> left right	01.03.2020 – 01.03.2020 –	4842151 4842152	Units _____ _____	/each /each
	<b>3.35 Washer Nordlock</b> 16 x 25	01.03.2020 –	4842153 •	Units _____	/each
	<b>3.36 Retaining Ring</b>	01.03.2020 –	4842154 •	Units _____	/each

### 3. High-speed folding doors F 8005

Article	Item. Description	Production period	Art.-Nr.	Quantity	€
	3.37 Limit Switch Support	01.03.2020 –	4842155	Units _____	/each

# Notes





# Brand quality for residential and commercial construction

The family-owned company Hörmann offers all important construction components for building and renovating projects from a single source. We manufacture in highly-specialised factories using the latest production technologies. Furthermore, our employees work intensively on new products, continual further developments and improvements to details. The results are patents and one-of-a-kind products you can depend on.

