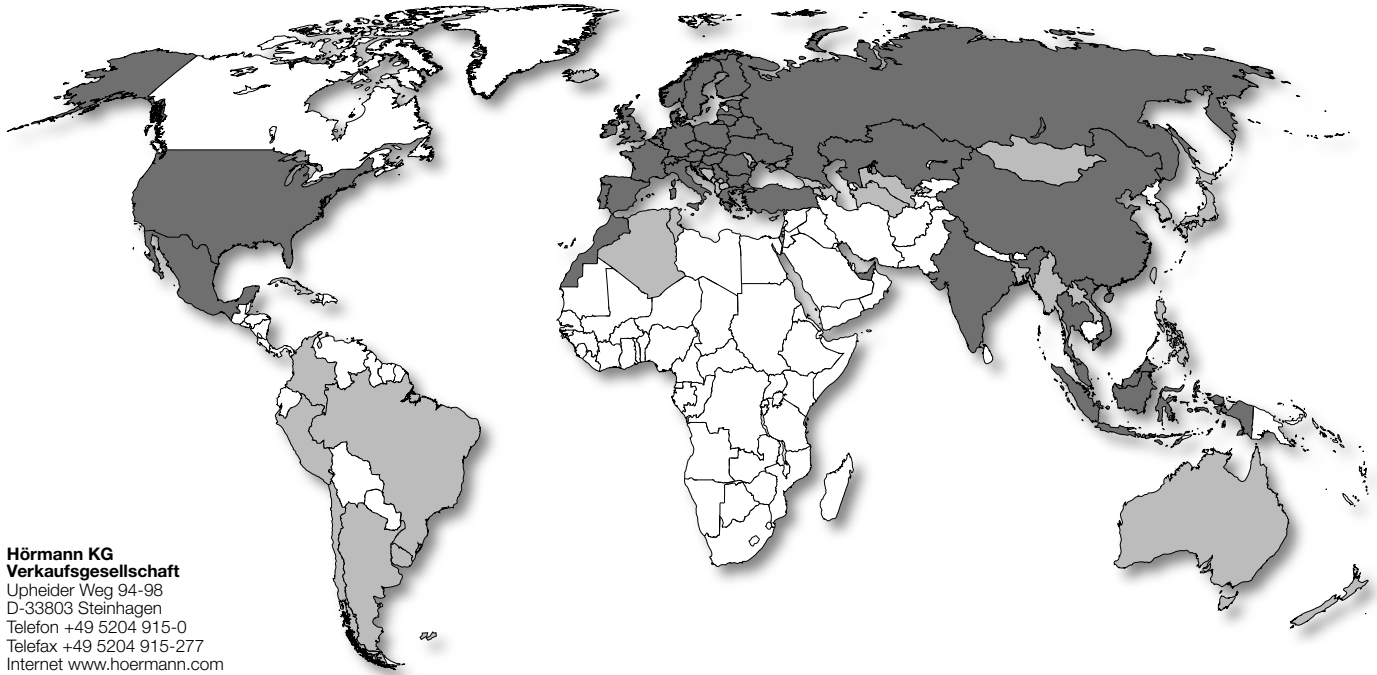


Overview of spare parts

Valid from 01.09.2024

Rolling shutter TD

Hörmann international sales companies and sales partners



**Hörmann KG
Verkaufsgesellschaft**
Upheider Weg 94-98
D-33803 Steinhagen
Telefon +49 5204 915-0
Telefax +49 5204 915-277
Internet www.hoermann.com

Hörmann international sales companies

International sales partners

Hörmann international sales companies

Hörmann Austria
A-5310 Mondsee
info@hoermann.at

Hörmann Baltic
LT-14247 Vilnius r.
info@hoermann.lt

Hörmann Bel
BY-220125 Minsk
info@hoermann.by

Hörmann Belgium
B-3700 Tongeren
info@hoermann.be

Hörmann Bulgaria
BG-1532 Sofia
info.sof@hoermann.bg

Hörmann Česká republika
CZ-252 68 Středokluky
info@hoermann.cz

Hörmann China
CN-100176 Beijing
info@hoermann.cn

Hörmann Danmark
DK-8920 Randers
info@hoermann.dk

Hörmann Eesti
EST-76505 Saue
info.tll@hoermann.ee

Hörmann España
E-08228 Terrassa
info.cat@hoermann.es

Hörmann Finland
FIN-02420 Jorvas
info@mesvac.fi

Hörmann France
F-89107 Sens
info@hoermann.fr

Hörmann Hellas
GR-19400 Koropi
info@hoermann.gr

Hörmann Hong Kong
HK-Quarry Bay
info@hoermann.com.hk

Hörmann Hrvatska
HR-10290 Zaprešić
info@hoermann.hr

Hörmann Hungária
H-2310 Szigetszentmiklós
info@hoermann.hu

Hörmann Indien
Shakti Hörmann
IND-500015 Secunderabad,
Telangana
sales@shaktihormann.com

Hörmann Indonesia
ID-12520 Jakarta
info@hoermann.id

Hörmann Ireland
IRL - Y35 HH72 Wexford
info@hoermann.ie

Hörmann Italia
I-38015 Lavis (Trento)
info@hoermann.it

Hörmann Kazakhstan
KZ-050019 Almaty
info@hoermann.kz

Hörmann Maghreb
MA-28810 Mohammedia
info@hoermann.ma

Hörmann Malaysia
MAL-40150 Shah Alam,
Selangor
info_apac@hoermann.com

Hörmann Mexico
MEX-66350
Santa Catarina
info@hoermann.com.mx

Hörmann Middle East & Africa
UAE-Dubai
info.dxb@hoermann.com

Hörmann Nederland
NL-3771 MB Barneveld
info@hoermann.nl

Hörmann Norge
N-4640 Søgne
info@hoermann.no

Hörmann Polska
PL-62-062 Komorniki
info@hoermann.pl

Hörmann Portugal
P-2710-297 Sintra
info@hoermann.pt

Hörmann Romania
RO-077040, Chiajna,
Județul Ilfov
info@hoermann.ro

Hörmann Russia
RUS-196626
Sankt Petersburg
info@hoermann.ru

Hörmann Schweiz
CH-4702 Oensingen
info@hoermann.ch

Hörmann Serbia
SRB-11272
Beograd-Dobanovci
info@hoermann.rs

Hörmann Slovenija
SI-3301 Petrovče
info@hoermann.si

Hörmann Slovenská republika
SK-903 01 Senec
info.bts@hoermann.com

Hörmann Svenska
S-70369 Örebro
info@hoermann.se

Hörmann Thailand
TH-Bangplee,
Samutprakarn 10540
info@hoermann.co.th

Hörmann Türkiye
TR-34870 Kartal - Istanbul
info.ist@hoermann.com.tr

Hörmann UK
GB-Leicestershire
LE67 4JW
info@hoermann.co.uk

Hörmann Ukraine
UA-08300 Boryspil,
Kyivska Obl.
info@hoermann.com.ua

Hörmann High Performance Doors
USA-Burgettstown,
PA 15021
info2@hoermann.us

Hörmann LLC
USA-Montgomery,
IL 60538
info1@hoermann.us

Hörmann Vietnam
VN-Hanoi
info.han@hoermann.vn

International sales partners

Albania	Bangladesh	Cuba	Laos	Myanmar	The Philippines
Algeria	Bosnia-Herzegovina	Georgia	Luxembourg	New Zealand	Tunesia
Argentina	Brazil	Iceland	Malta	North Macedonia	Turkmenistan
Armenia	Cambodia	Israel	Moldova	Peru	Uruguay
Australia	Chile	Japan	Mongolia	South Korea	Uzbekistan
Azerbaidjan	Colombia	Kosovo	Montenegro	Taiwan	

For more information on our sales companies and sales partners, visit www.hoermann.com.

Our General terms and conditions of sale and delivery valid at the time of the order apply.
The current version of our General terms and conditions of sale and delivery is available on our website: www.hoermann.com/en/gtc

Prices in €. Copyright. No part of this price list may be reproduced without our permission. All details subject to change.

Table of contents

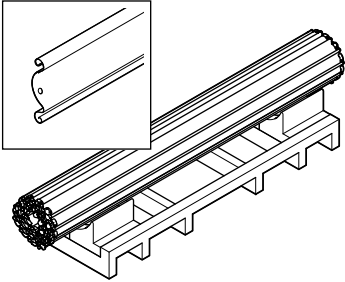
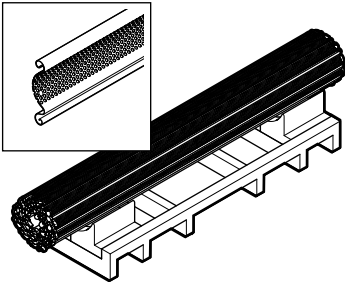
1 Rolling shutters TD

1.1	Curtains	4
1.2	Profiles	5
1.3	End pieces	6
1.4	Bottom profiles	7
1.5	Barrels	8
1.6	Booms	9
1.7	Support brackets	11
1.8	Curtain cover	12
1.9	Fascia panel	13

1. Rolling shutters TD

1.1 Curtains

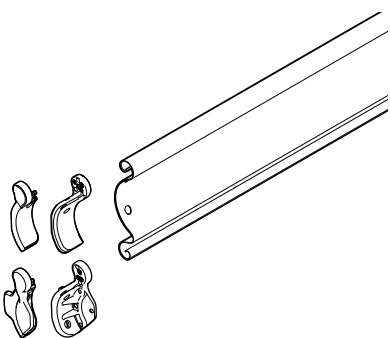
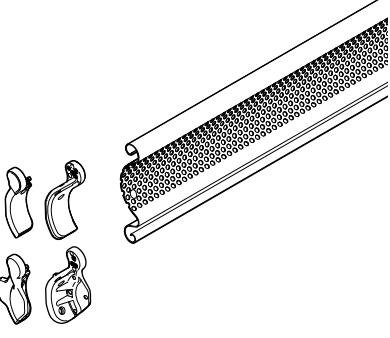
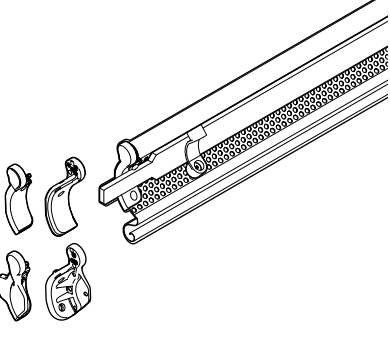
Note: Rolling shutter TD replacement curtains are delivered without barrels.

Article	Description	Quantity	Art. no.	€
	Rolling shutter HR 70 S TD replacement curtain Galvanized	Unit(s) _____	9801261	/m ²
	Rolling shutter HR 70 S TD aero replacement curtain Galvanized	Unit(s) _____	9801262	/m ²

ORDER	Customer no.: _____	Order no./com.: _____	*Make sure to use the information from the data label!	
	Customer name: _____	Shipping address: _____	Order no.:	Type:
	Shipping address: _____	Place/date: _____	Loading platform no.:	Year of manufacture:
			Serial no.:	
			Stamp and signature	

1. Rolling shutters TD

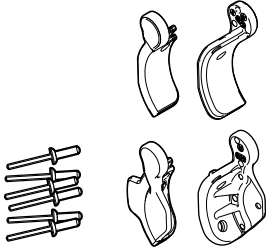
1.2 Profiles

Article	Description	Quantity	Art. no.	€
	Rolling shutter lath HR 70 S cut to length with end piece set Galvanized	Unit(s) _____	9801231	/m
	Rolling shutter lath HR 70 S aero cut to length with end piece set Galvanized	Unit(s) _____	9801232	/m
	Rolling shutter lath lock profile HR 70 S aero cut to length with end piece set, lock and locking rods Galvanized	Unit(s) _____	9801233	/m

ORDER	Customer no.: _____	Order no./com.: _____	* Make sure to use the information from the data label!	
			Order no.:	Type:
	Customer name: _____		Loading platform no.:	Year of manufacture:
	Shipping address: _____		Serial no.:	
	Place/date: _____		Stamp and signature	

1. Rolling shutters TD

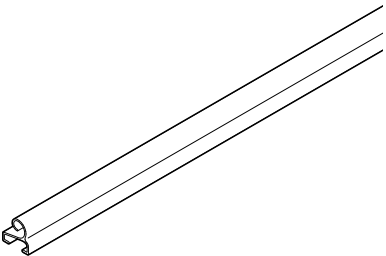
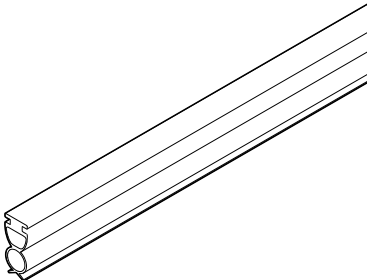
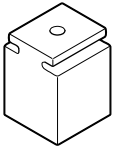
1.3 End pieces

Article	Description	Quantity	Art. no.	€
	End piece set and bolts TD (end piece HR 70 left/right, wind lock HR 70 left/right, 6 × rivet 4.8 × 10)	Set	9702785	/set

ORDER	Customer no.: _____ Order no./com.: _____	*Make sure to use the information from the data label!
	Customer name: _____	Order no.: _____ Type: _____
	Shipping address: _____	Loading platform no.: _____ Year of manufacture: _____
	_____	Serial no.: _____
	Place/date: _____	Stamp and signature _____

1. Rolling shutters TD

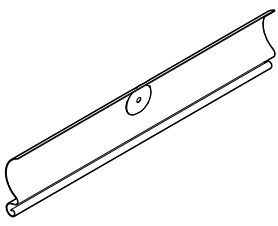
1.4 Bottom profiles

Article	Description	Quantity	Art. no.	€
	Bottom profile 19 mm	Unit(s) _____	9801271	/m
	Bottom profile rubber 24 - 37	Unit(s) _____	9700064	/m
	Buffer elements BPG 24 - 37	Set _____	9701267	/m

ORDER	Customer no.: _____ Order no./com.: _____	* Make sure to use the information from the data label!
	Customer name: _____	Order no.: _____ Type: _____
	Shipping address: _____	Loading platform no.: _____ Year of manufacture: _____
	_____	Serial no.: _____
	Place/date: _____	Stamp and signature _____

1. Rolling shutters TD

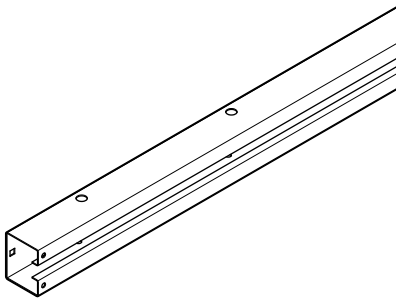
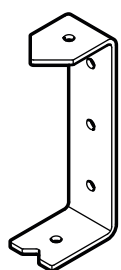
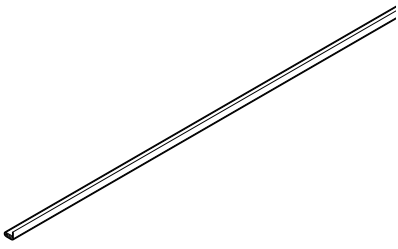
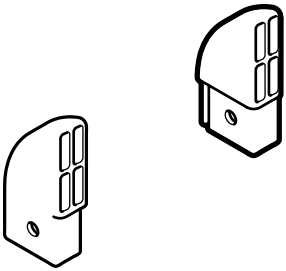
1.5 Barrels

Article	Description	Quantity	Art. no.	€
	Screw-on fixing bracket HR 70 S	Unit(s) _____	9702441	Unit(s)

ORDER	Customer no.: _____ Order no./com.: _____	*Make sure to use the information from the data label!
	Customer name: _____	Order no.: _____ Type: _____
	Shipping address: _____	Loading platform no.: _____ Year of manufacture: _____
	_____	Serial no.: _____
	Place/date: _____	Stamp and signature _____

1. Rolling shutters TD

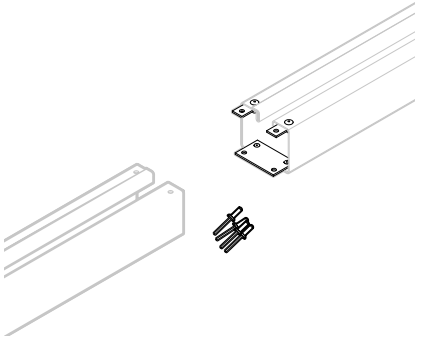
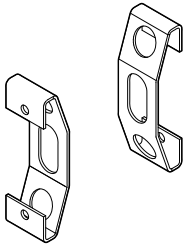
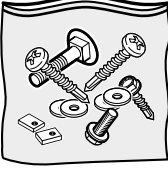

1.6 Booms

Article	Description	Quantity	Art. no.	€
	Boom FS60 x 75 Left Right	Unit(s) _____ _____	9801264 9801263	/m /m
	Boom FS60 x 75, length 2530 mm	Unit(s) _____	9801290	Unit(s)
	Drill stencil FS60 x 75	Unit(s) _____	9702623	Unit(s)
	Slider profile	Unit(s) _____	9702189	/m
	Funnel FS60 x 75	Set _____	9702497	/set

ORDER	Customer no.: _____	Order no./com.: _____	* Make sure to use the information from the data label!	
	Customer name: _____	Shipping address: _____	Order no.:	Type:
	Place/date: _____	Stamp and signature _____	Loading platform no.:	Year of manufacture:
			Serial no.:	

1. Rolling shutters TD

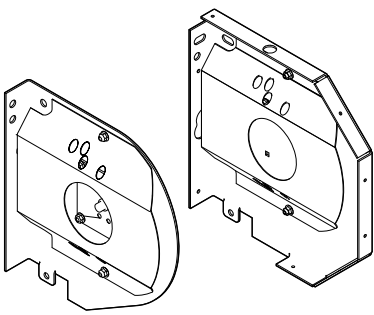
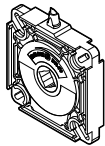
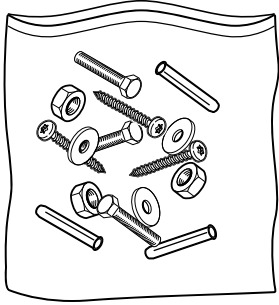
1.6 Booms

Article	Description	Quantity	Art. no.	€
	Connector set FS60 x 75	Unit(s) _____	9702632	/set
	Lock latch	Unit(s) _____	9702511	Unit(s)
	Fixing set FS60 x 75 (for 14 fixing points)	Set _____	9701779	/set
	Cover caps set 28 units	Set _____	9701221	/set

ORDER	Customer no.: _____ Order no./com.: _____	*Make sure to use the information from the data label!
	Customer name: _____	Order no.: _____ Type: _____
	Shipping address: _____	Loading platform no.: _____ Year of manufacture: _____
	_____	Serial no.: _____
	Place/date: _____	Stamp and signature _____

1. Rolling shutters TD

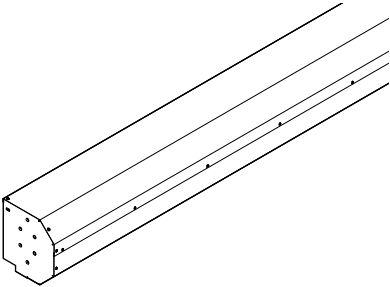
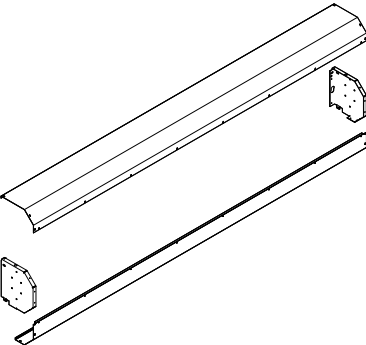
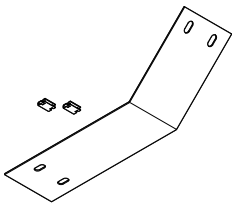
1.7 Support brackets

Article	Description	Quantity	Art. no.	€
	TD support bracket Set TD1 Set	Unit(s) _____ _____	9702426 9702427	/each /each
	TD catch safety device support bracket DR70 DR140 plus	Unit(s) _____ _____	9702123 9702124	/each /each
	TD support bracket Fixing set TD support bracket Fitting by welding fixing set TD support bracket	Set _____ _____	9702440 9702483	/set /set

ORDER	Customer no.: _____	Order no./com.: _____	* Make sure to use the information from the data label!	
	Customer name: _____	Shipping address: _____	Order no.: _____	Type: _____
	Place/date: _____	Stamp and signature _____	Loading platform no.: _____	Year of manufacture: _____
			Serial no.: _____	

1. Rolling shutters TD

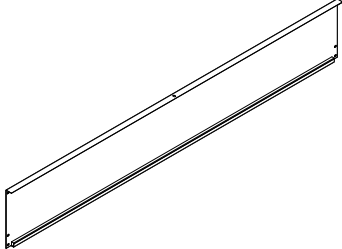
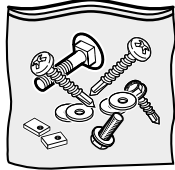
1.8 Curtain cover

Article	Description	Quantity	Art. no.	€
	Trap guard PVTD Up to <= 3000 mm door width From door widths of 3001 mm	Unit(s) _____ _____	9801284 9801285	/each /each
	Replacement plate PVTD Up to <= 3000 mm door width From door widths of 3001 mm	Unit(s) _____ _____	9801288 9801289	/each /each
	Lock set PVS/TGT/TD Fixing set PVT	Set _____ _____	9701167 9702495	/set /set

ORDER	Customer no.: _____	Order no./com.: _____	*Make sure to use the information from the data label!	
	Customer name: _____	Shipping address: _____	Order no.:	Type:
	Shipping address: _____	Place/date: _____	Loading platform no.:	Year of manufacture:
			Serial no.:	
			Stamp and signature	

1. Rolling shutters TD

1.9 Fascia panel

Article	Description	Quantity	Art. no.	€
	Fascia panel SB/TD Up to <= 3000 mm door width From door widths of 3001 mm	Unit(s)	9801286	/each
		_____	9801287	/each
	Fixing set Fixing set fascia panel SB/TD	Unit(s)	9702500	/each

ORDER	Customer no.: _____	Order no./com.: _____	* Make sure to use the information from the data label!	
	Customer name: _____	Shipping address: _____	Order no.:	Type:
	_____	_____	Loading platform no.:	Year of manufacture:
	_____	_____	Serial no.:	_____
	Place/date: _____	_____	Stamp and signature	_____

Brand quality for residential and commercial construction

The family-owned company Hörmann offers all important construction components for building and renovating projects from a single source. We manufacture them in highly-specialised factories using state-of-the-art production technologies. Furthermore, our employees work intensively on new products, continual further developments and improvements to details. The results are patents and one-of-a-kind products you can depend on.

