

EN

## Instructions for Fitting, Operating and Maintenance

High-Speed Door V 10008

NO

## Håndbok for montering, drift og vedlikehold

Hurtigport V 10008

SV

## Anvisning för montering, drift och underhåll

Snabbrullport V 10008

FI

## Asennus-, käyttö- ja huolto-ohjeet

Pikarullaovi V 10008

DA

## Vejledning til montering, drift og service

Hurtigkørende port V 10008

LT

## Montavimo, eksploatavimo ir techninės priežiūros instrukcija

Greitaeigiai vartai V 10008

ET

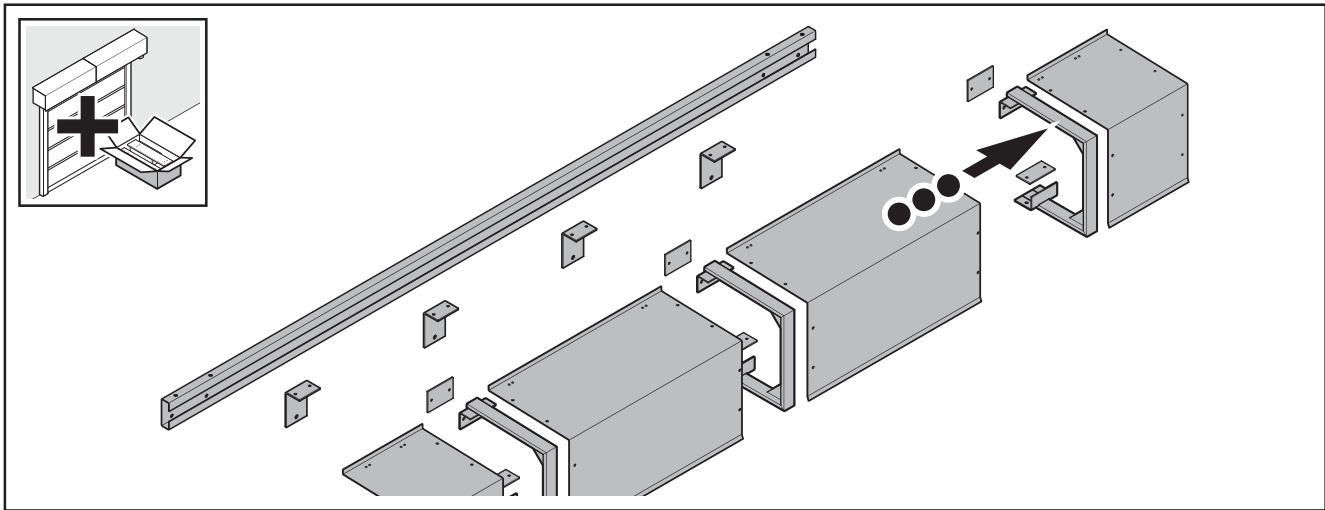
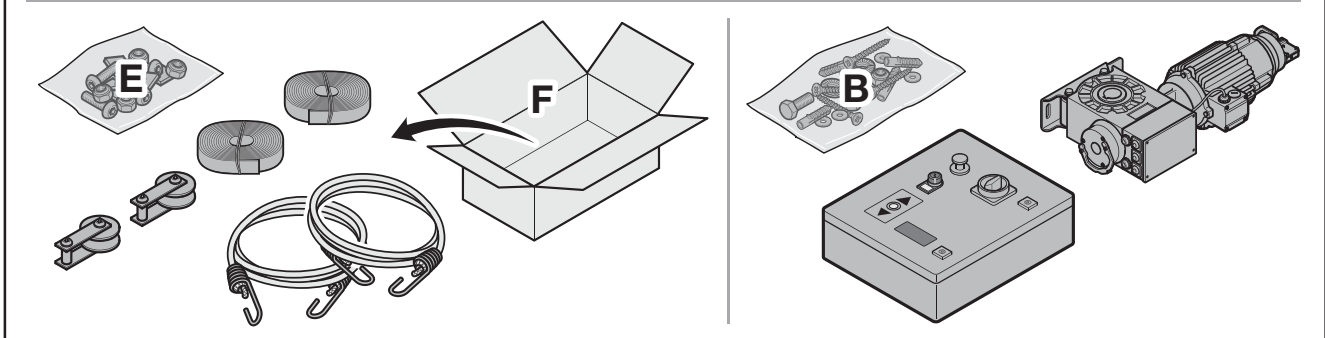
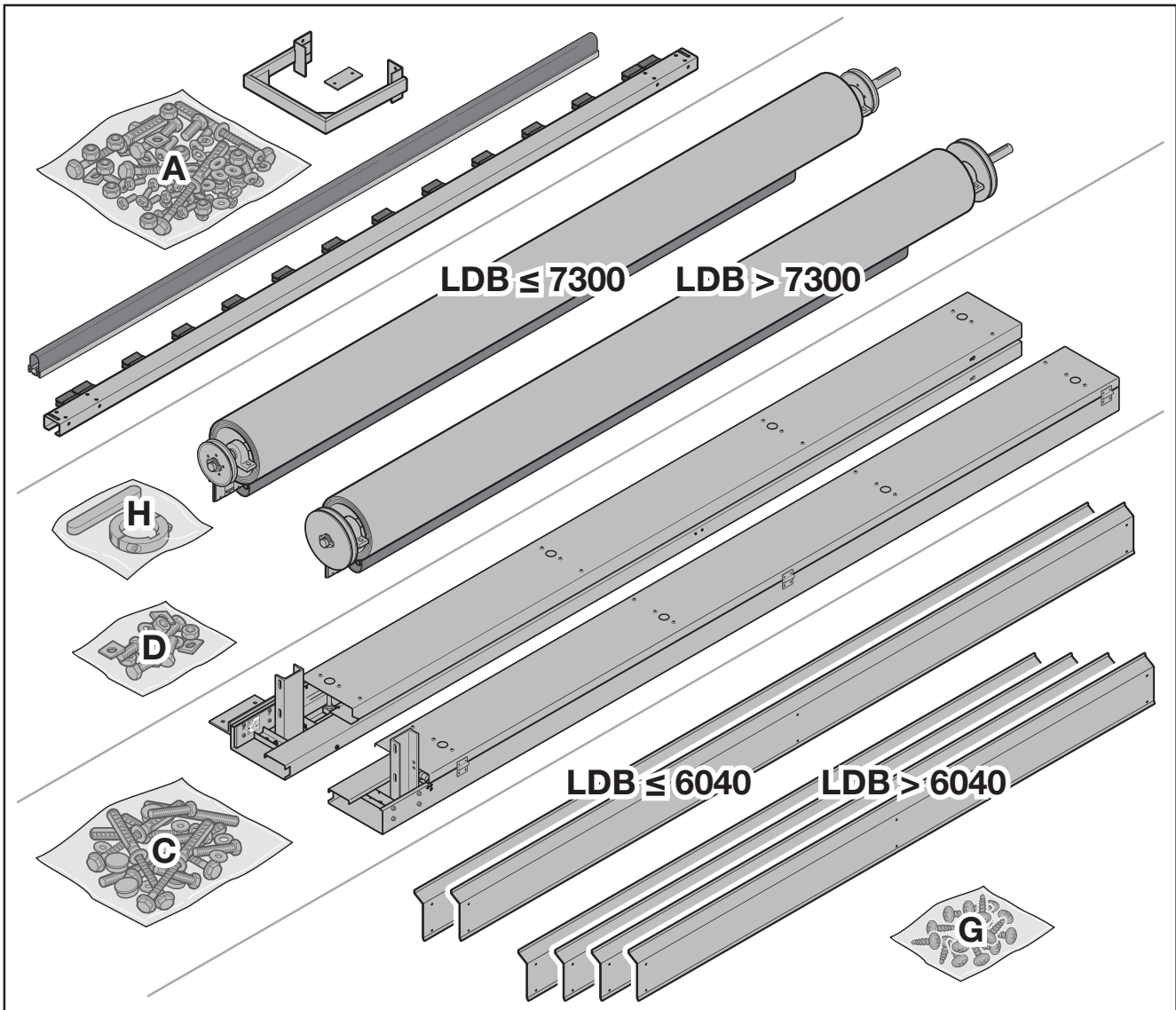
## Paigaldus-, kasutus- ja hooldusjuhend

Kiirrolluks V 10008

LV

## Montāžas, ekspluatācijas un apkopes instrukcija

Ātrgaitas vārti V 10008



ENGLISH .....	4
NORSK. ....	11
SVENSKA. ....	18
SUOMI .....	25
DANSK. ....	32
LIETUVIŲ KALBA .....	39
EESTI .....	46
LATVIEŠU VALODA. ....	53



.....	60
-------	----

Contents


1 About These Instructions.....4

1.1 Further applicable documents.....4

1.2 Warnings used.....4

1.3 Symbols Used .....5

1.4 Abbreviations Used .....5

2  Safety Instructions.....5

2.1 Intended use.....5

2.2 Qualification of personnel.....6

2.3 Standards and regulations .....6

2.4 General safety instructions.....6

2.5 Safety instructions for operation .....6

2.6 Safety instructions for maintenance and troubleshooting.....6

3 Fitting.....7

4 Putting into Service .....7

4.1 Setting the End-of-travel Positions .....7

4.2 Test run .....8

5 Operation.....8

5.1 Instructed personnel.....8

5.2 Normal wear .....8

5.3 Emergency-OFF .....8

6 Inspection and Maintenance .....8

6.1 Maintenance intervals.....9

6.2 Wearing parts .....9

7 Control.....9

8 Malfunctions and Troubleshooting .....9

9 Cleaning and Care .....9

10 Extension and Conversion.....10

11 Dismantling and Disposal.....10



.....60

Dear Customer,  
We are delighted that you have decided to choose a high-quality product from our company.

1 About These Instructions

These instructions are divided into a text section and an illustrated section. The illustrated section can be found after the text section.

These instructions are **original instructions** as outlined in the EC Directive 2006/42/EC. Read through all of the instructions carefully: they contain important information about the product. Pay attention to and follow the instructions provided, particularly the safety instructions and warnings.

Please keep these instructions in a safe place and make sure that they are available to all users at all times.

The manufacturer is not liable for any damage caused as a result of non-compliance with the operating instructions and the information contained therein or due to non-customary use of the industrial door.





Competent operation and proper maintenance influence the performance and availability of your industrial door to a considerable degree. Operating errors and inadequate maintenance lead to avoidable failures. Only competent operation and proper maintenance will guarantee satisfactory, long-term operational safety.

Our customer service department will be happy to assist you. Please contact them if you have any questions after working through these operating instructions.



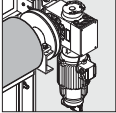
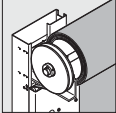


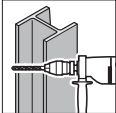

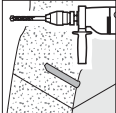
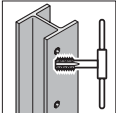
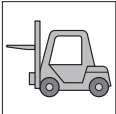

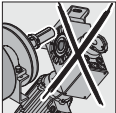


1.1 Further applicable documents











Depending on the ordered accessories, the delivery includes further instructions, e.g. instructions on how to control the door. Also read these instructions carefully and thoroughly. Pay attention to and follow the instructions provided herein, particularly the safety instructions and warnings.

1.2 Warnings used

	The general warning symbol indicates a danger that can lead to <b>injury</b> or <b>death</b> . In the text, the general warning symbol will be used in connection with the caution levels described below. In the illustrated Section, an additional instruction refers back to the explanation in the text.
 <b>DANGER</b>	Indicates a danger that leads directly to death or serious injuries.
 <b>WARNING</b>	Indicates a danger that can lead to death or serious injuries.
 <b>CAUTION</b>	Indicates a danger that can lead to minor or moderate injuries.
<b>ATTENTION</b>	Indicates a danger that can lead to <b>damage</b> or <b>destruction</b> of the product.

### 1.3 Symbols Used

	Important advice to prevent injury to persons or damage to property
	Warning of dangerous electrical voltage
	Operator side
	Bearing side
	Tighten the screws by hand
	Optional components
	Drilling in steel
	Drilling in concrete
	Drilling in masonry
	Cut thread
	Use suitable lifting devices (e.g. forklift, crane)
	Remove residue
	Secure operator
	Inspect
	Danger of crushing

	Risk of shearing
	Risk of impact
	Risk of trapping during door travel
	Grease
	Correct arrangement or activity
	Non-permissible arrangement or activity
	Remove and dispose of component or packaging
	See text section
	See illustrated section
	See separate Fitting Instructions for the control or for the additional electrical control elements

### 1.4 Abbreviations Used

EN	European Standard
OFF (FFL)	Top edge of finished floor line
LDB	Clear passage width
LDH	Clear passage height

## 2 Safety Instructions

When used properly and for the intended purpose, industrial doors are reliable and safe to operate. Nevertheless, when used incorrectly or for purposes other than those intended, they can pose a risk. We therefore expressly draw your attention to the safety instructions contained in the individual chapters.

### 2.1 Intended use

Industrial doors are used to close passage openings, to safely shut off rooms, to make machines safe and secure, to save energy costs, to improve the room air conditions and to accelerate the flow of materials.

Intended use also includes paying attention to these instructions and observing inspection and maintenance conditions.

Any other or further use is regarded as non-intended use. The manufacturer / supplier is not liable for any damage resulting from this. The risk is borne solely by the user.

## 2.2 Qualification of personnel

Only qualified and instructed personnel may fit, operate and maintain the industrial door.

Before commencing work the assigned personnel must read these instructions, particularly chapter 2.

For safety reasons, specify distinct responsibilities for operation, maintenance and repairs to ensure that there are no unclear assignments.

## 2.3 Standards and regulations

At the least, observe the following European standards and directives, as well as country-specific safety requirements, standards and regulations.

### European Standards

EN 12445	Doors – Safety in use of power operated doors: Test methods
EN 12453	Doors – Safety in use of power operated doors: Requirements
EN 12604	Doors – Mechanical aspects: Requirements
EN 12978	Doors – Safety devices for power operated doors: Requirements and test methods
EN 60335-1	Safety of electrical equipment for domestic use and similar purposes – part 1: General requirements
EN 61508	Functional safety of electrical / electronic / programmable electronic safety-related systems

### VDE Regulations

VDE 0113	Electrical installations with electronic equipment
VDE 0700	Safety of electronic devices for domestic use and similar purposes

### Accident prevention regulations

BGV A3	Electrical installations and equipment
ASR A1.7	Technical Rules for Workplaces

## 2.4 General safety instructions

- In addition, also observe the generally applicable statutory regulations and other binding regulations for accident prevention and environmental protection, country-specific regulations, and the recognised specialist technical rules for safe and competent working must be observed. Before beginning work, instruct personnel in accordance with these rules and regulations.
- Always keep these instructions ready to hand at the location where the industrial door is used.
- Without the supplier's prior approval, do not carry out any modification, attachment or conversion work on the industrial door which might compromise safety.

- Do not make any modifications to the software on programmable control systems.
- The location and operation of fire extinguishers must be indicated by appropriate information signs. Observe the statutory fire alarm and fire-fighting regulations.
- All work on the industrial door (such as maintenance, cleaning work and inspections) may only be performed during an operational shutdown.
- Only qualified electricians may perform work on the mains supply.
- Before undertaking any work, disconnect the system from the mains supply and ensure that it cannot be inadvertently turned on. If available, deactivate the emergency opening lever.

## 2.5 Safety instructions for operation

- Before actuating the door, make sure that no persons or objects are located in the door's area of travel.
- Do not reach into the guide or guide area while the door is in operation.
- Only actuate the industrial door if it is safe and functional. All protective devices and safety-related devices (e.g. detachable protective devices and emergency-OFF devices) must be present and functioning.
- Do not modify or put the safety devices out of operation.

## 2.6 Safety instructions for maintenance and troubleshooting

- Perform inspection and maintenance work as described in chapter 6. Comply with the maintenance intervals and note the information on the replacement of parts / partial equipment.
- Maintenance and troubleshooting may only be carried out by specialist personnel.
- Only use spare parts that comply with the technical requirements specified by the manufacturer. This is always guaranteed when original spare parts are used.
- Only carry out welding, burning and grinding work on the industrial door if this work has been expressly approved. For example, there may be a risk of fire and explosion! Prior to welding, burning and grinding, remove dust and combustible materials from the industrial door and its surroundings and ensure that there is adequate ventilation (risk of explosion)!
- Before disassembling the operator, fix the shaft on the operator side (e.g. with a forklift).

### 3 Fitting

**⚠ DANGER**

**Mains voltage!**  
Contact with the mains voltage presents the danger of a deadly electric shock. For that reason, observe the following warnings under all circumstances:

- ▶ Only qualified electricians may perform work on the mains supply.
- ▶ Make sure that the on-site electrical installation complies with the applicable safety requirements.
- ▶ Ensure that the national regulations governing the operation of electrical equipment are complied with.
- ▶ Install the control unit for the industrial door operator within sight of the door.
- ▶ Before undertaking any electrical work, disconnect the system from the mains supply and ensure that it cannot be inadvertently turned on.

**ATTENTION**

**External voltage**  
External voltage on the connecting terminals of the control will destroy the electronics.

- ▶ Do not apply any external voltage (e.g. mains voltage) to the connecting terminals of the control unit.

**ATTENTION**

**Pull forces on electric cables**  
Pull forces on electric cables will destroy the electronics.

- ▶ Never pull on the connecting leads of the electrical components.

**NOTE:**

The included fixing material is approved for the following subsurfaces.

Concrete screws:	Fitting subsurface cracked concrete C20/25, uncracked concrete C20/25 and brickwork.
Long shaft plug:	Fitting subsurface concrete C12/15, gas concrete, sand-lime solid brick and solid brick.
Metric screws:	Fitting subsurface steel, a suitable material thickness and strength must be observed.

For deviating subsurfaces, suitable fixing material must be selected (not in scope of delivery).

**NOTE:**

Also follow the other enclosed instructions for installation of electrical connections and fitting additional electrical control elements.

**To fit the door:**

1. Take precautionary measures to make the site safe.
2. Check the on-site fitting conditions for the door (check measurements).
3. Check the quality of the structure for its strength.
4. Choose suitable fastenings.
5. Unpack the door and check for damage.

6. If delivered by a freight forwarder: Report any damage immediately.
7. Check that the delivery is complete.
8. Dispose of the packaging material.
9. Fit the door as shown in the illustrated section.




### 4 Putting into Service

**⚠ WARNING**

**Faulty door**  
A faulty door may injure persons or damage objects.

- ▶ Only put the door into service if it is in perfect condition.

**⚠ WARNING**

**Door movements**  
Door travel may injure persons or damage objects.

- ▶ Make sure that no persons or objects are in the door's closing area during operation.
- ▶ Never use the door to lift objects or persons.
- ▶ Never reach into the guide, guide are, chain, toothed wheel or return pulley during door operation.

#### 4.1 Setting the End-of-travel Positions

The end-of-travel positions of the door are set on the control cabinet.

**NOTE:**

Please follow the instructions supplied with the operator and control unit.

##### 4.1.1 CLOSE end-of-travel position

**ATTENTION**

**Exceeding the CLOSE end-of-travel position**  
If the door travels beyond the *CLOSE* end-of-travel position, the contact bar profile may be compressed. This will stop the contact bar profile from functioning.

- ▶ Never exceed the *CLOSE* end-of-travel position.

- ▶ Set the *CLOSE* end-of-travel position so that the bottom profile makes full contact with the floor. If the guide is supported or the floor uneven, select the bottom edge of the side element as the end-of-travel position.

4.1.2 OPEN end-of-travel position





<b>ATTENTION</b>
<p><b>Exceeding the OPEN end-of-travel position</b>                  If the door travels beyond the <i>OPEN</i> end-of-travel position, there is a risk of the door curtain slipping out of the side guides and sustaining damage.</p> <ul style="list-style-type: none"> <li>▶ Never exceed the <i>OPEN</i> end-of-travel position.</li> </ul>

- ▶ Set the *OPEN* end-of-travel position so that the lower edge of the bottom profile corresponds to the dimension for the door height.

4.2 Test run

1. After fitting the door, test the functional safety according to the acceptance / handing-over report.
2. Verify in the test log book (dated and signed) that a test run has been successfully completed.
3. Hand the entire door documentation over to the owner or operator of the door.

5 Operation

 <b>WARNING</b>	
    	<p><b>Door movements</b>                  Door travel may injure persons or damage objects.</p> <ul style="list-style-type: none"> <li>▶ Make sure that no persons or objects are in the door's closing area during operation.</li> <li>▶ Make sure that the door has opened completely before driving in or out! Never drive or walk through doorways unless the door has reached the <i>OPEN</i> end-of-travel position.</li> <li>▶ Whenever driving in or out of the opening, always check that the door curtain has travelled up far enough to provide the necessary passage height.</li> <li>▶ Never use the door to lift objects or persons.</li> <li>▶ Do not reach into the guide or guide area while the door is in operation.</li> </ul>

<b>ATTENTION</b>
<p><b>Emergency operation devices</b>                  Too frequent use of the emergency operation devices may damage them. This will also void the warranty for the door.</p> <ul style="list-style-type: none"> <li>▶ Only use the emergency operation devices in the case of a power failure or during repair work.</li> </ul>

<b>ATTENTION</b>
<p><b>Aggressive media, wind and heat</b>                  Aggressive media, wind and heat may damage the door.</p> <ul style="list-style-type: none"> <li>▶ Protect the door from aggressive media:                         <ul style="list-style-type: none"> <li>– Saltpeter from stone or concrete</li> <li>– Cement</li> <li>– Plaster</li> <li>– Acids</li> <li>– Alkali</li> <li>– Road salt</li> <li>– Aggressive paints or sealants</li> <li>– Aggressive sealants</li> </ul> </li> <li>▶ Avoid temperatures greater than 50°C near the door.</li> </ul>

5.1 Instructed personnel

The door may only be operated by persons who have been instructed in its proper use. A person is considered to be instructed (EN 12453), if he / she has received instruction as to how to operate the door safely and has received permission from the owner to use the door system.


5.2 Normal wear


The design of the door represents state-of-the-art technology. Pressure marks and abrasive wear are design-related and cannot be avoided.

5.3 Emergency-OFF




- ▶ In emergency situations, de-energise the control by actuating the main switch, pulling the mains plug or, if available, actuating the red **emergency-OFF** button.

6 Inspection and Maintenance

 <b>WARNING</b>
<p><b>Unmaintained doors</b>                  There is a danger of injury and damage if the door is not regularly maintained. This will also void the warranty.</p> <ul style="list-style-type: none"> <li>▶ Inspect and maintain the door regularly as described in these instructions or entrust this work to the manufacturer's service department.</li> </ul>

 <b>DANGER</b>
<p><b>Mains voltage!</b>                  Contact with the mains voltage presents the danger of a deadly electric shock.</p> <ul style="list-style-type: none"> <li>▶ Before undertaking any electrical work, disconnect the system from the mains supply and ensure that it cannot be inadvertently turned on.</li> </ul>

**⚠ WARNING**






**Door movements**

There is a danger of injury and damage if the door is actuated during inspection or maintenance work.

- ▶ Before undertaking any work, disconnect the system from the mains supply and ensure that it cannot be inadvertently turned on.
- ▶ If available, deactivate the emergency opening lever / handle.

**⚠ WARNING**



**Falling parts**

During dismantling, parts may fall and injure persons or damage property.

**Cladding (option)**

- ▶ Fix the cladding (e.g. with a forklift) before dismantling.

**Shaft**

- ▶ Fix the shaft (e.g. with a forklift) before dismantling the operator.

Only inspect and maintain the door yourself if you are a qualified specialist (competent person according to EN 12635). In other words, you have the suitable training, specialist knowledge and practical experience to allow you to carry out inspection and maintenance correctly and safely.

Observe all the applicable regulations governing work safety.

In general, we recommend entrusting maintenance / inspection to the manufacturer's service department.

The high-speed door is low-maintenance. In normal operating conditions, all the bearings, including the gears, are lubricated for life and are maintenance-free.

### 6.1 Maintenance intervals

In compliance with the guidelines for power-operated windows, doors and gates (ASR A1.7) testing and maintenance of the door must be carried out once a year, and as far as possible at the same intervals.

Depending on the size of the door and the annual number of door cycles, we recommend the following maintenance intervals:

**In the case of a high number of door cycles (> 50,000 per year):**

Servicing of the functional elements every six months:

- Electric operator and brake
- All screw connections
- Travel limit cut-off / creep speed switch-over
- Control / impulse generator

**In the case of a smaller number of door cycles:**

Annual servicing in conjunction with the stipulated test procedures according to German accident prevention regulations UVV (in compliance with ASR A1.7).

- ▶ Check the function of the "D" devices (photocell / light grille) every six months.

### 6.2 Wearing parts

If provided, the indicated maximum assumable cycles or door cycles apply to the following wearing parts:

Wearing parts	Cycles	Period
Operator (60 % ON time)	500.000	2 years
Until 30.04.2017 Operator (tubular drive; 60 % ON time)	350.000	2 years
From 01.05.2017 / V 4015 SEL Alu-R Operator (tubular drive; 60 % ON time) <sup>1)</sup>	700.000	2 years
Brake	250.000	2 years
Radio crash switch battery	- / -	2 years
Energy chain with cable	250.000	2 years
Springs	100.000	2 years
Fabric belts	100.000	2 years
Flat belts (counter weight, sections)	500.000	2 years
Rollers / slider	100.000	2 years
UPS battery	- / -	1.5 years
UPS battery (RW doors)	- / -	1 years
Hinges	100.000	2 years
Seals / sealing strip	150.000	2 years
Curtain (V 3515 Iso + V 4015 Iso L)	150.000	2 years
Light grille / photocell	- / -	2 years

1) It is compulsory that components are replaced at the above-mentioned cycles.

### 7 Control

The control system is manufactured individually for each door ordered. The respectively applicable wiring diagram is deposited in the control cabinet.

- ▶ Add the wiring diagram and software description to these instructions.

Each control cabinet has its own identification number.

- ▶ Always quote this number in the case of queries.

### 8 Malfunctions and Troubleshooting

In the case of malfunctions, contact the Customer Service.

#### Operator power

The operating voltage must be 230 V ± 5 % or 400 V ± 5 %. If the voltage deviates greatly from this, there may be problems with the operator power.

### 9 Cleaning and Care

Use warm water together with a neutral, non-abrasive cleaning agent (household detergent, pH value 7, Isopropanol 99,9 %).

To clean the surface, use only a soft cloth or window leather. Rinse off any dirt and dust particles with clear water.



## 10 Extension and Conversion

 <b>WARNING</b>
<b>Unsuitable components</b> Unsuitable components could overload the door construction. This could lead to serious injury. ▶ Only use components approved by the manufacturer.

Only extend or convert this door system with the manufacturer's permission.

Carrying out any structural alterations to the product without the manufacturer's permission renders the warranty and product liability null and void.

## 11 Dismantling and Disposal

 <b>WARNING</b>	
	<p><b>Falling parts</b> During dismantling, parts may fall and injure persons or damage property</p> <p><b>Cladding (option)</b> ▶ Fix the cladding (e.g. with a forklift) before dismantling.</p> <p><b>Shaft</b> ▶ Fix the shaft (e.g. with a forklift) before dismantling the operator.</p>

Only dismantle this door if you are qualified to do so (i.e. are a competent person in accordance with EN 12635). In other words, you have the suitable training, specialist knowledge and practical experience to allow you to dismantle the door correctly and safely.

Observe all the applicable regulations governing work safety when dismantling the door.

### To dismantle and dispose of the door:

1. Open the door fully.
2. Carefully roll up the door manually (emergency manual operation).
3. Tape round the door curtain several times with strong adhesive tape (e.g. packing tape) to prevent it from unrolling.
4. Drive a forklift truck with suitable pallet or supporting frame underneath the shaft, so that the shaft rests on the pallet or supporting frame.
5. Release the fastenings securing the bearing and the operator.
6. Lift the shaft or top part together with the operator off the support brackets.

### CAUTION

#### The operator may slide off the barrel journal

- ▶ When letting the shaft or top part down, take care to keep it level.
7. Dismantle the side guides or side elements and support brackets.
  8. Disassemble the door into component parts and dispose of them properly.

## Innhold

<b>1</b>	<b>Vedrørende denne veiledningen.....</b>	<b>11</b>
1.1	Annen gjeldende dokumentasjon.....	11
1.2	Brukte advarselshenvisninger .....	11
1.3	Brukte symboler .....	12
1.4	Brukte forkortelser.....	12
<b>2</b>	<b>⚠ Sikkerhetsmerknader .....</b>	<b>12</b>
2.1	Forskriftsmessig bruk .....	12
2.2	Personalets kvalifikasjoner .....	13
2.3	Standarder og forskrifter .....	13
2.4	Generelle sikkerhetsmerknader.....	13
2.5	Sikkerhetsmerknader i forbindelse med driften .....	13
2.6	Sikkerhetsmerknader om vedlikehold og feilfjerning.....	13
<b>3</b>	<b>Montering .....</b>	<b>14</b>
<b>4</b>	<b>Igangsetting .....</b>	<b>14</b>
4.1	Innstilling av endeposisjonene.....	14
4.2	Testkjøring .....	15
<b>5</b>	<b>Drift .....</b>	<b>15</b>
5.1	Kvalifisert personell .....	15
5.2	Normal slitasje .....	15
5.3	Nødstopp.....	15
<b>6</b>	<b>Kontroll og vedlikehold .....</b>	<b>15</b>
6.1	Vedlikeholdsintervaller .....	16
6.2	Slitedeler.....	16
<b>7</b>	<b>Styring.....</b>	<b>16</b>
<b>8</b>	<b>Feil og utbedringer .....</b>	<b>16</b>
<b>9</b>	<b>Renhold og pleie.....</b>	<b>16</b>
<b>10</b>	<b>Utvidelse og ombygning .....</b>	<b>16</b>
<b>11</b>	<b>Demontering og avfallshåndtering.....</b>	<b>16</b>



.....60

Kjære kunde.

Det gleder oss at du har valgt et kvalitetsprodukt fra oss.

## 1 Vedrørende denne veiledningen

Denne veiledningen er delt inn i en tekst- og en bildedel. Bildedelen finner du etter tekstdelen.

Oversettelse av den originale bruksanvisningen. Les grundig gjennom hele veiledningen. Den inneholder viktig informasjon om produktet. Følg anvisningene, særlig sikkerhetsanvisningene og advarslene.

Oppbevar veiledningen på et trygt sted og sørg for at den alltid er tilgjengelig når brukeren vil se i den.

Produsenten tar ikke ansvar for skader som skyldes at driftshåndboken og merknadene i den ikke følges, eller at industriporten brukes på en avvikende måte.

Sakkyndig betjening og grundig vedlikehold har stor betydning for industriportens ytelse og driftssikkerhet. Betjeningsfeil og mangelfullt vedlikehold fører til feil som kunne vært unngått. Tilfredsstillende varig driftssikkerhet er kun garantert ved fagmessig betjening og omhyggelig vedlikehold.

Kundeservice svarer gjerne på spørsmål. Kontakt kundeservice dersom du har spørsmål etter at du har lest driftshåndboken.

### 1.1 Annen gjeldende dokumentasjon

Avhengig av hvilket tilbehør som er bestilt, inneholder leveringen flere håndbøker, f.eks. en håndbok for styringen av porten. Du må lese grundig gjennom også disse håndbøkene. Følg anvisningene, særlig sikkerhetsanvisningene og advarslene i disse håndbøkene.

### 1.2 Brukte advarselshenvisninger



Det generelle advarselssymbolet kjennetegner en fare som kan føre til **personskade** eller **død**. I tekstdelen blir det generelle advarselssymbolet brukt i forbindelse med de advarselstrinnene som beskrives i nedenfor. I bildedelen henviser et tilleggsutsagn til forklaringene i tekstdelen.

#### ⚠ FARE

Kjennetegner en fare som umiddelbart fører til død eller alvorlig skade.

#### ⚠ ADVARSEL

Kjennetegner en fare som kan føre til død eller alvorlige personskader.



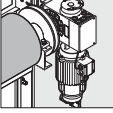
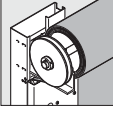


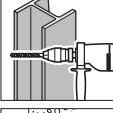

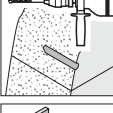
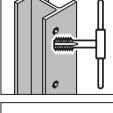
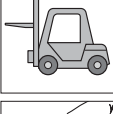

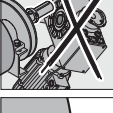
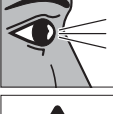

#### ⚠ FORSIKTIG

Kjennetegner en fare som kan føre til lette eller middels alvorlige personskader.

#### NB!

Kjennetegner en fare som kan føre til at **produktet blir skadet eller ødelagt**.

### 1.3 Brukte symboler

	Viktig henvisning for å unngå skader på personer og gjenstander
	Advarsel mot farlig elektrisk spenning
	Drivside
	Lagerside
	Skrueene må festes godt med håndmakt
	Ekstraustyr
	Boring i stål
	Boring i betong
	Boring i mur
	Tilvirking av gjenger
	Bruk egnet løfteutstyr (f.eks. gaffeltruck eller kran)
	Fjern rester
	Sikre motoren
	Kontroll
	Klemfare

	Kuttfare
	Fare for støt
	Fare for inntrekking under portkjøring
	Smør med fett
	Korrekt plassering eller gjøremål
	Ikke tillatt plassering eller gjøremål
	Fjern og behandle komponenter eller emballasje som avfall
	Se tekstdel
	Se bildedel
	Se separat monteringsanvisning for styringen og / eller for andre elektriske betjeningselementer

### 1.4 Brukte forkortelser

EN	Europeisk standard
OFF	Overkant ferdig gulv
LDB	Fri gjennomkjøringsbredde
LDH	Fri gjennomkjøringshøyde

## 2 Sikkerhetsmerknader

Industriporter er driftssikre når de brukes korrekt og forskriftsmessig. De kan likevel forårsake farer hvis de behandles ufagmessig og i strid med forskriftene. Vi henviser derfor uttrykkelig til sikkerhetsinstruksene i de enkelte kapitlene.

### 2.1 Forskriftsmessig bruk

Industriporter brukes for å stenge gjennomgangsåpninger, gi sikker lukking av lokaler, sikre maskiner, spare energikostnader, bedre innklimaet og akselerere materialflyten.

Forskriftsmessig bruk omfatter også det å følge denne håndboken og det å overholde inspeksjons- og vedlikeholdsbestingene.

Annen bruk som går utover dette, regnes som ikke forskriftsmessig. Produsenten / leverandøren tar ikke ansvar for skader som skyldes slik bruk. Brukeren bærer risikoen alene.

## 2.2 Personalets kvalifikasjoner

Industriporten må kun installeres, drives og vedlikeholdes av kvalifiserte personer med opplæring.

Personalet som får i oppdrag å utføre arbeid på porten, må ha lest denne håndboken før arbeidet tar til, og da i særdeleshet kapittel 2.

Gjør det klart hvem som har ansvar for betjening, vedlikehold og reparasjon, slik at det ikke er tvil i forbindelse med sikkerhetsaspektene.

## 2.3 Standarder og forskrifter

Følg i det minste disse europeiske standardene og direktivene samt alle nasjonale sikkerhetsbestemmelser, standarder og forskrifter:

### Europeiske standarder

EN 12445	Porter – brukssikkerhet ved kraftdrevne porter: kontrollmetoder
EN 12453	Porter – driftsikkerhet maskindrevne porter: krav
EN 12604	Porter – mekaniske aspekter – krav
EN 12978	Porter – sikkerhetsinnretninger for kraftdrevne porter: krav og kontrollmetoder
EN 60335-1	Husholdnings- og tilsvarende elektriske apparater – Sikkerhet – Del 1: Generelle krav
EN 61508	Funksjonssikkerhet for sikkerhetskritiske elektriske / elektroniske / programmerbare elektroniske systemer

### VDE-forskrifter

VDE 0113	Elektriske anlegg med elektronisk utstyr
VDE 0700	Sikkerhet i elektroniske apparater for husholdningsbruk og lignende formål

### Forskrifter om forebygging av ulykker

BGV A3	Elektriske anlegg og elektrisk utstyr
ASR A1.7	Tekniske regler for arbeidsplasser

## 2.4 Generelle sikkerhetsmerknader

- Følg generelle, lovpålagte eller på annen måte gjeldende regler for forebygging av ulykker og for miljøvern, nasjonale forskrifter samt anerkjente fagtekniske regler for fagmessig og sikkert arbeid. Gi personalet instruksjon om disse reglene og forskriftene før arbeidet tar til.
- Oppbevar denne håndboken på industriportens brukssted, slik at den alltid er tilgjengelig.
- Du må ikke foreta endringer, på- eller ombygginger på industriporten som kan tenkes å gå ut over sikkerheten, uten etter godkjenning fra leverandøren.
- Du må ikke foreta endringer på programvaren for programmerbare styresystemer.

- Vis plassering og bruk av brannslukningsapparater med varselskilt. Følg de offentlige brannmeldings- og brannvernforskriftene.
- Alt arbeid på industriporten må utføres når anlegget ikke er i drift, f.eks vedlikehold, reparasjon og kontroller.
- Elektrisk tilkobling må kun utføres av elektrikere.
- Koble fra spenningen på anlegget og sikre at den ikke kan bli slått på igjen av uvedkommende, før alle typer arbeid. Om nødvendig må spaken for nødåpningen settes ut av drift.

## 2.5 Sikkerhetsmerknader i forbindelse med driften

- Før betjening av porten må du kontrollere at det ikke befinner seg personer eller gjenstander i området porten beveger seg i.
- Du må ikke ta inn i føringen eller inngangsstedet mens porten er i drift.
- Industriporten må bare betjenes når den er i trygg og funksjonssikker stand. Alle sikkerhetsinnretninger og sikkerhetsrelaterte innretninger som løsbare sikkerhetsinnretninger og nødstopppinnretninger må være på plass og fungere korrekt.
- Sikkerhetsinnretningene må ikke endres eller settes ut av drift.

## 2.6 Sikkerhetsmerknader om vedlikehold og feilfjerning

- Utfør kontroll og vedlikehold som er spesifisert i kapittel 6. Overhold vedlikeholdsintervallene og legg merke til angivelsene om utskifting av deler / delutrustning.
- Arbeid i forbindelse med vedlikehold og feilfjerning må kun utføres av fagfolk.
- Du må kun bruke reservedeler som oppfyller de tekniske kravene fra produsenten. Det er alltid garantert når man bruker originale reservedeler.
- Sveising, brenning og sliping må bare utføres på industriporten hvis det er uttrykkelig tillatt. Det kan f. eks. være fare for brann og eksplosjon! Før sveising, brenning og sliping må industriporten og omgivelsene rengjøres for støv og brennbare stoffer, og det må sørges for tilstrekkelig ventilasjon.
- Før du demonterer motoren, må du feste akslingen på drivside (f.eks. med en gaffeltruck).

### 3 Montering

#### FARE

##### Nettspenning

Ved kontakt med nettspenningen er det fare for dødelig strømstøt. Derfor er det svært viktig at du tar hensyn til følgende merknader:

- ▶ Elektrisk tilkobling må kun utføres av elektrikere.
- ▶ Påse at elektroinstallasjonen på monteringsstedet er i samsvar med de gjeldende sikkerhets- og vernebestemmelsene.
- ▶ Pass på at nasjonale forskrifter for drift av elektriske apparater overholdes.
- ▶ Monter styringen for industriportåpneren innen synsvidde fra porten.
- ▶ Koble fra spenningen på anlegget og sikre at den ikke kan bli slått på igjen av uvedkommende, før alle typer elektrisk arbeid.

#### NB!

##### Ekstern spenningskilde

Tilkobling av ekstern spenningskilde på styringens koblingsklemmer fører til at elektronikken blir ødelagt.

- ▶ Ikke koble ekstern spenningskilde (f.eks. nettspenning) på styringens koblingsklemmer.

#### NB!

##### Trekraft på elektriske ledninger

Trekraft på elektriske ledninger fører til at elektronikken blir ødelagt.

- ▶ Trekk aldri i forbindelsesledningene til de elektriske komponentene.

#### MERK:

Det vedlagte festematerialet er godkjent for følgende underlag.

Betongskruer:	Monteringsunderlag sprukket betong C20/25, ikke-sprukket betong C20/25 og mur.
Fasadeplugg:	Monteringsunderlag betong C12/15, porebetong, kalksandstein og massiv murstein.
Metriske skruer:	Monteringsunderlag stål, det må tas hensyn til egnet materialtykkelse og fasthet.

Ved andre underlag må det velges egnet festemateriell (følger ikke med).

#### MERKNAD:

Følg de andre vedlagte håndbøkene for installering av elektriske tilkoblinger og montering av andre elektriske betjeningslementer.

#### For å montere porten:

1. Sikre anleggsområdet.
2. Kontroller byggemålene og betingelsene for innfesting av porten.
3. Kontroller fastheten på underlaget.
4. Bruk egnede festemidler.
5. Pakk ut porten og kontroller om den har skader.

6. Ved levering via spedisjonsbyrå: Meld fra om eventuelle skader med en gang.
7. Kontroller om leveransen er fullstendig.
8. Lever inn emballasjematerialet til gjenvinning.
9. Monter porten som vist i bildedelen.

### 4 Igangsetting

#### ADVARSEL

##### Feil på porten

Feil på porten kan føre til personskader eller skade på gjenstander.

- ▶ Porten må ikke tas i bruk før den er i feilfri stand.

#### ADVARSEL



##### Portbevegelser

Portbevegelsen kan føre til personskader eller skade på gjenstander.



- ▶ Kontroller at det ikke er personer eller gjenstander i portens lukkeområde mens porten er i drift.



- ▶ Løft aldri gjenstander eller personer med porten.

- ▶ Under portdriften må du ikke ta inn i føringen, inngangsstedet, kjedet, tannhjulet eller vendeskiven.

#### 4.1 Innstilling av endeposisjonene

Portens endeposisjoner stilles inn i koblingsskapet.

#### MERKNAD:

Se veiledningen for motor og styring.

#### 4.1.1 Endeposisjon Port lukket

#### NB!

##### Overskridelse av endeposisjonen *Port lukket*

Hvis endeposisjonen *Port lukket* overskrides, er det fare for at kontaktskinneprofilen blir utsatt for støt. Da svikter funksjonen av kontaktskinneprofilen.

- ▶ Du må ikke overskride endeposisjonen *Port lukket*.

- ▶ Still inn endeposisjonen *Port lukket* slik at avslutningsprofilen er i fullstendig kontakt med gulvet. Ved underføring av føringen eller ved ujevnt gulv velger du nivået for underkanten av sidebeslaget som endeposisjon.

#### 4.1.2 Endeposisjon Port åpen

#### NB!

##### Overskridelse av endeposisjonen *Port åpen*

Hvis endeposisjonen *Port åpen* overskrides, er det fare for at portbladet eller profilen faller ut av føringskinnene og blir skadet.





- ▶ Du må ikke overskride endeposisjonen *Port åpen*.

- ▶ Still inn endeosisjonen *Port åpen* slik at avstanden til underkanten på avslutningsprofilen tilsvarer målet for porthøyden.

#### 4.2 Testkjøring

1. Etter monteringen må du teste funksjonssikkerheten iht. mottaks- / overleveringsprotokollen.
2. Bekreft en vellykket testkjøring med dato og underskrift i kontrollheftet.
3. Overlever all dokumentasjon for porten til eieren av porten eller den som er ansvarlig for porten.

### 5 Drift

 <b>ADVARSEL</b>	
  	<p><b>Portbevegelser</b> Portbevegelsen kan føre til personskader eller skade på gjenstander.</p> <ul style="list-style-type: none"> <li>▶ Kontroller at det ikke er personer eller gjenstander i portens lukkeområde mens porten er i drift.</li> <li>▶ Før du kjører inn eller ut av garasjen, må du forsikre deg om at porten er åpnet helt. Det er kun tillatt å kjøre eller gå gjennom en port når porten står helt stille.</li> <li>▶ Før inn- eller utkjøring må du kontrollere at det er tilstrekkelig fri høyde for gjennomkjøring.</li> <li>▶ Løft aldri gjenstander eller personer med porten.</li> <li>▶ Du må ikke ta inn i føringen eller inngangsstedet mens porten er i drift.</li> </ul>

<b>NB!</b>
<p><b>Nødbetjeningsinnretninger</b> Nødbetjeningsinnretningene kan bli skadet hvis de brukes for ofte. I tillegg bortfaller garantien på porten.</p> <ul style="list-style-type: none"> <li>▶ Nødbetjeningsinnretningene må kun brukes ved strømbrudd eller reparasjon.</li> </ul>

<b>NB!</b>
<p><b>Aggressive medier, vind og hete</b> Porten kan ta skade av aggressive medier, vind og hete.</p> <ul style="list-style-type: none"> <li>▶ Beskytt porten mot aggressive medier: <ul style="list-style-type: none"> <li>– salpeter fra stein eller mørtel</li> <li>– sement</li> <li>– gips</li> <li>– syrer</li> <li>– alkaliske stoffer</li> <li>– strøsalt</li> <li>– maling med aggressiv virkning</li> <li>– tetningsmaterialer med aggressiv virkning</li> </ul> </li> <li>▶ Unngå temperaturer over 50 °C i nærheten av porten.</li> </ul>

#### 5.1 Kvalifisert personell

Porten må kun betjenes av personer som har opplæring i bruken. En person regnes som opplært (EN 12453) hvis han/hun har fått opplæring i hvordan man bruker porten

på en trygg måte og har tillatelse av eieren til å bruke porten.


#### 5.2 Normal slitasje


Konstruksjonen av hurtigporten er i samsvar med dagens tekniske standard. Trykksteder og slitasje kommer fra konstruksjonen og er ikke til å unngå.





#### 5.3 Nødstop



- ▶ I nødsituasjoner kobler du fra strømmen på styringen ved å betjene hovedbryteren, trekke ut støpselet og trykke på en eventuell rød **nødstop**-knapp.

### 6 Kontroll og vedlikehold

 <b>ADVARSEL</b>
<p><b>Port som ikke er vedlikeholdt</b> Hvis porten ikke blir regelmessig kontrollert og vedlikeholdt, er det fare for personskader og materielle skader. I tillegg bortfaller garantien.</p> <ul style="list-style-type: none"> <li>▶ Kontroller og vedlikehold porten regelmessig slik det er beskrevet i denne håndboken, eller få produsentens serviceavdeling til å gjøre det.</li> </ul>

 <b>FARE</b>
<p><b>Nettspenning</b> Ved kontakt med nettspenningen er det fare for dødelig strømstøt.</p> <ul style="list-style-type: none"> <li>▶ Koble fra spenningen på anlegget og sikre at den ikke kan bli slått på igjen av uvedkommende, før alle typer elektrisk arbeid.</li> </ul>

 <b>ADVARSEL</b>	
  	<p><b>Portbevegelser</b> Hvis portene betjenes mens det pågår kontroll eller vedlikehold, er det fare for personskader og materielle skader.</p> <ul style="list-style-type: none"> <li>▶ Koble fra spenningen på anlegget og sikre at den ikke kan bli slått på igjen av uvedkommende, før alle typer arbeid.</li> <li>▶ En eventuell spak / et eventuelt håndtak for nødåpningen settes ut av drift.</li> </ul>

 <b>ADVARSEL</b>	
	<p><b>Deler som faller ned</b> Under demonteringen kan det falle ned deler og skade personer eller gjenstander.</p> <p><b>Kledning (ekstrautstyr)</b></p> <ul style="list-style-type: none"> <li>▶ Fest kledningen (f.eks. med en gaffeltruck) før du demonterer den.</li> </ul> <p><b>Aksling</b></p> <ul style="list-style-type: none"> <li>▶ Fest akslingen (f.eks. med en gaffeltruck) før du demonterer motoren.</li> </ul>

Du må bare kontrollere og vedlikeholde porten selv hvis du er sakkkyndig (kompetent person i henhold til EN 12635). Det vil si at du har en egnet opplæring, kvalifisert kunnskap og praktisk erfaring når det gjelder korrekt og sikker utføring av kontroll og vedlikehold.

Følg alle gjeldende forskrifter for arbeidssikkerhet.

Generelt anbefaler vi at kontroll og vedlikehold overlates til produsentens serviceavdeling.

Hurtigporten trenger lite vedlikehold. Under normale driftsforhold er alle lagerpunkter inklusive drev smurt for hele levetiden, og er dermed vedlikeholdsfrie.

## 6.1 Vedlikeholdsintervaller

I henhold til direktivene for kraftdrevne vinduer, dører og porter (ASR A1.7) er det påbudt med kontroll og vedlikehold av porten en gang i året, med så lik tidsavstand som mulig.

Avhengig av portstørrelsen og de årlige belastnings-syklusene anbefaler vi følgende vedlikeholdsintervaller:

### Ved svært høye belastningssykluser (> 50 000 per år):

Vedlikehold av funksjonselementene en gang i halvåret:

- elektromotor og bremse
- alle skrueforbindelser
- endeposisjonsutkobling / omkobling til langsom kjøring
- styring / impulsgeber

### Ved mindre belastningssykluser:

Årlig vedlikehold i forbindelse med den påbudte UVV-kontrollen (tysk kontroll mht. ulykkesforebygging) (iht. ASR A1.7).

- ▶ Kontroller D-innretningenes funksjon en gang i halvåret (fotocelle / lysgitter).

## 6.2 Slitedeler

For de nedenfor oppførte slitedelene gjelder, hvis tilgjengelig, det angitte maksimale antallet av forventede sykluser eller lastveksler:

Slitedeler	Sykluser	Periode
Motor (60 % ED)	500 000	2 år
til 30.04.2017		
Motor (rørmotor; 60 % ED)	350 000	2 år
fra		
01.05.2017 / V 4015 SEL Alu-R	700 000	2 år
Motor (rørmotor; 60 % ED) <sup>1)</sup>		
Bremse	250 000	2 år
Trådløs crash-bryter batteri	-/-	2 år
Fleksibelt kjede med kabel	250 000	2 år
Fjærer	100 000	2 år
Belter i vevd materiale	100 000	2 år
Flatbelte (motvekt, seksjoner)	500 000	2 år
Løperuller	100 000	2 år
USV-batteri	-/-	1,5 år
USV-batteri (RW-porter)	-/-	1 år
Hengsler	100 000	2 år
Pakninger / tetningslister	150 000	2 år
Duk (V 3515 Iso + V 4015 Iso L)	150 000	2 år
Fotocelle / lysgitter	-/-	2 år

1) Komponentene må byttes ut ved de ovennevnte syklusene.

## 7 Styring

Styringen produseres spesielt for porten i hver ordre. Koblingsskjemaet og programvarebeskrivelsen finnes i koblingsskapet.

- ▶ Legg koblingsskjemaet og programvarebeskrivelsen til denne håndboken.

Hvert koblingsskap har et nummer.

- ▶ Angi alltid dette nummeret hvis du kontakter oss med spørsmål.

## 8 Feil og utbedringer

Kontakt kundeservice hvis det oppstår feil.

### Motorytelse

Driftsspenningen må være 230 V ± 5 % eller 400 V ± 5 %. Større avvik kan føre til problemer med motorens ytelse.

## 9 Renhold og pleie

Bruk varmt vann med et nøytralt rengjøringsmiddel (vanlig oppvaskmiddel, pH-verdi 7, Isopropanol 99,9 %). Ikke bruk skuremidler.

Benytt myke stoffkluter eller pusseskinn til rengjøringen. Skyll av smuss- og støvpartikler med rent vann.

## 10 Utvidelse og ombygning

### ADVARSEL

#### Uegnede komponenter

Uegnede komponenter kan overbelaste portkonstruksjonen. Det kan føre til livsfarlige personskader.

- ▶ Bruk kun komponenter som er godkjent av produsenten.

Porten må bare utvides eller ombygges med produsenten godkjenning.

Garantien og produktansvaret bortfaller dersom du foretar konstruksjonsmessige endringer uten produsentens samtykke.

## 11 Demontering og avfallshåndtering

### ADVARSEL



#### Deler som faller ned

Under demonteringen kan det falle ned deler og skade personer eller gjenstander.

#### Kledning (ekstrautstyr)

- ▶ Fest kledningen (f.eks. med en gaffeltruck) før du demonterer den.

#### Aksling

- ▶ Fest akslingen (f.eks. med en gaffeltruck) før du demonterer motoren.

Demonter porten bare hvis du er sakkyndig (kompetent person i henhold til EN 12635). Det vil si at du har en egnet utdanning, kvalifiserte kunnskaper og praktisk erfaring for en korrekt og sikker demontering.

Følg alle gjeldende forskrifter for arbeidssikkerhet under demonteringen.

**For å demontere og kassere porten:**

1. Åpne porten helt.
2. Rull forsiktig opp porten med den manuelle nøddriften.
3. Surr flere ganger rundt duken / profilen med kraftig tape (f.eks. pakketape) slik at den ikke kan rulle av.
4. Kjør under akslingen med en gaffeltruck med egnet pall eller egnet løfteunderlag slik at akslingen ligger på pallen eller løfteunderlaget.
5. Løsne festet på lager og motor.
6. Løft akslingen og overdelen med motoren av konsollene.

**FORSIKTIG**

**Motoren kan skli av akslingstappen**

- ▶ Hold akslingen og overdelen vannrett når de senkes ned.
7. Demonter føringskinnene / sidebeslagene og konsollene.
  8. Demonter porten i enkeltdeler og avhend disse på fagmessig måte.

## Innehåll

<b>1</b>	<b>Om denna bruksanvisning .....</b>	<b>18</b>
1.1	Övriga gällande underlag.....	18
1.2	Varningsanvisningar.....	18
1.3	Symboler .....	18
1.4	Förkortningar .....	19
<b>2</b>	<b>⚠ Säkerhetsanvisningar .....</b>	<b>19</b>
2.1	Avsedd användning .....	19
2.2	Förkunskapskrav .....	20
2.3	Normer och föreskrifter .....	20
2.4	Allmänna säkerhetsanvisningar .....	20
2.5	Säkerhetsanvisningar vid drift .....	20
2.6	Säkerhetsanvisningar för underhåll och störningsåtgärder .....	20
<b>3</b>	<b>Montering .....</b>	<b>20</b>
<b>4</b>	<b>Idrifttagning.....</b>	<b>21</b>
4.1	Inställning av ändlägen .....	21
4.2	Provkörning .....	21
<b>5</b>	<b>Drift .....</b>	<b>22</b>
5.1	Kompetent person.....	22
5.2	Normalt slitage .....	22
5.3	Nödstopp.....	22
<b>6</b>	<b>Kontroll och underhåll.....</b>	<b>22</b>
6.1	Underhållsintervall .....	23
6.2	Slitagedelar.....	23
<b>7</b>	<b>Styrsystem .....</b>	<b>23</b>
<b>8</b>	<b>Störningar och felåtgärder .....</b>	<b>23</b>
<b>9</b>	<b>Rengöring och skötsel .....</b>	<b>23</b>
<b>10</b>	<b>Utökning och ombyggnad .....</b>	<b>23</b>
<b>11</b>	<b>Demontering och avfallshantering.....</b>	<b>23</b>



.....60

Bästa kund,  
tack för att du har valt en kvalitetsprodukt ur vårt sortiment.

## 1 Om denna bruksanvisning

Denna anvisning består av en textdel och en bilddel. Bilddelen hittar du i anslutning till textdelen.

Översättning av originalbruksanvisningen. Läs igenom hela anvisningen noggrant. Den innehåller viktig information om produkten. Följ alla anvisningar, i synnerhet säkerhets- och varningsanvisningarna.

Förvara anvisningen väl och se till att den alltid är tillgänglig för användarna.

Tillverkaren ansvarar inte för skador som uppstår på grund av att bruksanvisningen samt hänvisningar i densamma inte beaktas eller på grund av att industriporten används på ett sätt den inte är avsedd för.

Korrekt användning och omsorgsfullt underhåll påverkar i hög grad portanläggningens prestanda och driftsäkerhet. Handhavandefel och bristfälligt underhåll resulterar i driftstörningar som skulle ha kunnat undvikas. Fullgod, långvarig driftsäkerhet kan enbart säkerställas genom korrekt användning och omsorgsfullt underhåll.

Vår kundtjänst besvarar gärna dina frågor. Kontakta vår kundtjänst om du fortfarande har frågor efter att ha studerat denna bruksanvisning.

### 1.1 Övriga gällande underlag

I leveransen ingår ytterligare bruksanvisningar beroende på vilka tillbehör som beställts, t ex för portens styrsystem. Läs även igenom dessa bruksanvisningar noggrant och fullständigt och följ alla anvisningar, i synnerhet säkerhets- och varningsanvisningarna.

### 1.2 Varningsanvisningar



Den allmänna varningssymbolen markerar en fara som kan leda till **skador** eller **dödsfall**. I textdelen beskrivs den allmänna varningssymbolen i kombination med nedanstående varningskategorier. I bilddelen hänvisar en ytterligare uppgift till förklaringarna i textdelen.

#### ⚠ LIVSFARA

Markerar en fara som omedelbart leder till dödsfall eller svåra personskador.

#### ⚠ VARNING

Markerar en fara som kan leda till dödsfall eller svåra personskador.

#### ⚠ VAR FÖRSIKTIG

Markerar en fara som kan leda till lindriga eller måttliga skador.

#### OBS!

Markerar en fara som kan leda till att **produkten skadas** eller **förstörs**.

### 1.3 Symboler

	Viktig anvisning för att förhindra person- eller materialskador
	Varning för farlig elspänning
	Drivsida
	Lagersida
	Dra åt förskruvningen för hand
	Extra konstruktionsdetaljer
	Borring i stål
	Borring i betong
	Borring i murverk
	Skär gänga
	Använd lämpligt lyftredskap (t ex gaffeltruck, kran)
	Avlägsna rester
	Säkra maskineriet
	Kontroll
	Klämrisk

	Risk för skärskada
	Risk för stöt
	Risk för indragning vid portrörelse
	Infettning
	Rätt montering eller funktion
	Felaktig montering eller funktion
	Ta hand om alla komponenter och förpackningsdetaljer på rätt sätt
	Se textdel
	Se bilddel
	Se särskild monteringsanvisning för styrsystem resp. extra elektriska manöverelement

### 1.4 Förkortningar

EN	Europanorm
OFF	Överkant färdigt golv
LDB	Fri genomfartsbredd
LDH	Fri genomfartshöjd

## 2 Säkerhetsanvisningar

Industriportarna är driftsäkra vid fackmässig och avsedd användning. Icke fackmässig eller icke avsedd användning kan medföra risker. Vi hänvisar uttryckligen till säkerhetsanvisningarna i de enskilda kapitlen.

### 2.1 Avsedd användning

Industriportarna används för att stänga genomgångsöppningar och utrymmen på ett betryggande sätt, säkra maskiner, spara energi, förbättra rumsklimatet och påskynda materialflödet.

Avsedd användning innebär även att man följer denna anvisning och reglerna för inspektion och underhåll.

Någon annan användning utöver denna får ej förekomma. Tillverkaren / leverantören ansvarar ej för skador som då kan uppstå. Denna risk vilar helt och hållet på användaren.

## 2.2 Förkunskapskrav

Se till att endast utbildad personal med tillräcklig kompetens anlitas för att installera, driva och underhålla industriporten.

Personal som arbetar med industriporten ska ha läst denna anvisning, och speciellt kapitel 2 innan de börjar arbeta.

Fastställ personalens ansvarsfördelning för manövrering, underhåll och reparation, så att det ur säkerhetssynpunkt inte uppstår några oklarheter.

## 2.3 Normer och föreskrifter

Följ följande europeiska normer och riktlinjer samt alla nationella säkerhetsbestämmelser, standarder och föreskrifter.

### Europasnormer

EN 12445	Portar – Driftsäkerhet för motordrivna portar – Kontrollmetod
EN 12453	Portar – Driftsäkerhet för motordrivna portar – Krav
EN 12604	Portar – Mekaniska egenskaper – Krav
EN 12978	Portar – Skyddsanordningar för motordrivna portar – Krav och kontrollmetod
EN 60335-1	Säkerhet för eldrivna anordningar för hushåll och liknande ändamål – del 1: Allmänna krav
EN 61508	Funktionssäkerhet för säkerhetsrelaterade elektriska / elektroniska / programmerbara elektroniska system

### VDE-föreskrifter

VDE 0113	Elektriska anläggningar med elektronisk drivteknik
VDE 0700	Säkerhet för elektroniska anordningar för hushåll och liknande ändamål

### Olycksfallsförebyggande föreskrifter

BGV A3	Elektriska anläggningar och drivutrustning
ASR A1.7	Tekniska regler för arbetsplatser

## 2.4 Allmänna säkerhetsanvisningar

- Följ allmänna gällande bestämmelser i lag och övriga bindande bestämmelser om förebyggande av olycksfall och miljöskydd. Dit hör även nationella föreskrifter och facktekniska regler för ett säkert och fackmässigt arbete. Se till att personalen tar del av dessa bestämmelser och föreskrifter innan de börjar arbeta.
- Ha alltid bruksanvisningen tillgänglig i närheten av industriporten.
- Modificeringar, till- eller ombyggnader på industriporten, som kan påverka säkerheten, får inte utföras utan leverantörens tillåtelse!
- Det är inte tillåtet att utföra modifieringar på mjukvaran i programmerbara styrsystem.
- Placering och användning av brandsläckare ska märkas ut med anvisningsskyltar. Följ lagstadgade brandlarms- och brandbekämpningsföreskrifter.

- Alla arbeten på industriporten, såsom underhåll, rengöringsarbeten och kontroller, får endast utföras när porten är tagen ur drift.
- Låt en utbildad elektriker utföra alla elanslutningar.
- Koppla ifrån spänningen i anläggningen före alla elarbeten, och se till att den inte kan kopplas till igen av misstag. Sätt även spaken för nödöppning ur drift (om sådan finns).

## 2.5 Säkerhetsanvisningar vid drift

- Kontrollera alltid innan porten manövreras att inga personer eller föremål finns i rörelseområdet.
- Fatta inte tag i styrningen eller inloppsstället när porten är i rörelse.
- Industriporten får endast manövreras i ett säkert och funktionsdugligt tillstånd. Alla skyddsanordningar och säkerhetsrelevanta anordningar, såsom löstagbara skyddsanordningar och nödstopp, måste finnas och fungera korrekt.
- Säkerhetsanordningarna får inte modifieras, demonteras eller sättas ur drift.

## 2.6 Säkerhetsanvisningar för underhåll och störningsåtgärder

- Utför alla kontroll- och underhållsarbeten som beskrivs i kapitel 6. Beakta underhållsintervallen och följ alla anvisningar om byte av reservdelar.
- Underhåll och felåtgärder får endast utföras av fackpersonal.
- Man bör endast använda reservdelar som godkänts av tillverkaren och motsvarar de tekniska kraven. Använd därför endast originalreservdelar.
- Svets-, bränn- och sliparbeten får endast utföras på industriporten om detta är uttryckligen tillåtet. Risken för brand eller explosion är stor vid denna typ av arbete! Rengör industriporten och dess omgivning från damm och brännbara ämnen före alla svets-, bränn- och sliparbeten och se till för fullgod ventilation.
- Fixera axeln på drivsidan (t ex med en gaffeltruck) innan maskineriet demonteras.

## 3 Montering

### LIVSFARA

#### Nätspänning!

Det finns risk för livshotande elstötar om man kommer i kontakt med nätspänningen. Observera därför följande:

- ▶ Låt en utbildad elektriker utföra alla elanslutningar.
- ▶ Se till att alla elinstallationer i byggnaden uppfyller gällande skyddsbestämmelser.
- ▶ Se till att de nationella föreskrifterna för eldrivna anordningar följs.
- ▶ Montera styrsystemet så att man har uppsikt över porten.
- ▶ Koppla ifrån spänningen i anläggningen före alla elarbeten, och se till att den inte kan kopplas till igen av misstag.

<b>OBS!</b>
<p><b>Extern spänning</b> Extern spänning på styrsystemets kontaktanslutningar kan förstöra elektroniken!</p> <p>► Anslut ingen extern spänning (t ex nätspänning) på styrsystemets kopplingsplintar.</p>

<b>OBS!</b>
<p><b>Dragkraft på elkablar</b> Elektroniken förstörs om man drar i kablarna.</p> <p>► Dra aldrig i anslutningsledningarna till de elektriska komponenterna.</p>

**ANMÄRKNING:**

Medföljande fästmaterial är tillåtet för följande underlag.

Betongskruvar:	Monteringsunderlag sprucken betong C20/25, icke-sprucken betong C20/25 och murverk.
Långa pluggar:	Monteringsunderlag betong C12/15, porbetong, kalksandblock och massivt tegel.
Metrisk skruvar:	Monteringsunderlag stål, ta hänsyn till lämplig materialtjocklek och hållfasthet.

Vid annat underlag måste annat lämpligt fästmaterial väljas (ingår inte i leveransen).

**ANMÄRKNING:**





Observera övriga bifogade anvisningar för elanslutning och montering av ytterligare elektriska manöverelement.

**Åtgärder före monteringen:**

1. Spärra av byggarbetsplatsen.
2. Kontrollera förhållandena för portens inbyggnad (kontrollera byggmått).
3. Kontrollera golvgrundens kvalitet (dess hållfasthet).
4. Välj lämpliga fästordningar.
5. Packa upp porten och kontrollera att den inte uppvisar skador.
6. Vid leverans via speditör skall skada anmälas omedelbart.
7. Kontrollera att leveransen är fullständig.
8. Lämna emballaget för avfallshantering
9. Montera porten enligt bilddelen.

**4 Idrifttagning**

 <b>VARNING</b>
<p><b>Defekt port</b> Om porten är defekt kan personer eller föremål skadas.</p> <p>► Använd bara porten i felfritt skick.</p>

 <b>VARNING</b>	
    	<p><b>Portrörelser</b> Portrörelsen kan skada personer och föremål.</p> <p>► Se till att inga personer eller föremål befinner sig i rörelseområdet när porten manövreras.</p> <p>► Lyft aldrig föremål och/ eller personer med hjälp av porten.</p> <p>► Ta aldrig tag i styrsystem, inloppsställen, kedja, kugghjul eller brytrulle när porten är i rörelse.</p>

**4.1 Inställning av ändlägen**

Portens ändlägen ställs in i manöverskåpet.

**ANMÄRKNING:**

Beakta anvisningen för maskineri och styrenhet.

**4.1.1 Ändläget Port stängd**

<b>OBS!</b>
<p><b>Överskridande av ändläget <i>Port stängd</i></b> Om ändläget <i>Port stängd</i> överskrids kan avslutningsprofilen krökas. Det kan störa ljusridåns diodavaktivering.</p> <p>► Överskrid inte ändläget <i>Port stängd</i>.</p>

- Ställ in ändläget *Port stängd* så att avslutningsprofilen ligger an helt mot golvet. Vid uppallning av styrenheten eller om golvet är ojämnt ska man ställa in ändläget i nivå med sidopartiets underkant.

**4.1.2 Ändläget Port öppen**





<b>OBS!</b>
<p><b>Överskridande av ändläget <i>Port öppen</i></b> Om ändläget <i>Port öppen</i> överskrids kan portduken resp. pansaret glida av styrskenorna och skadas.</p> <p>► Överskrid inte ändläget <i>Port öppen</i>.</p>

- Ställ in ändläget *Port öppen* så att avståndet till avslutningsprofilens underkant motsvarar porthöjden.

**4.2 Provkörning**

1. Testa funktionssäkerheten enligt besiktnings- / leveransprotokollet efter avslutad montering.
2. Bekräfta med datum och underskrift i loggboken när godkänd provkörning utförts.
3. Överlämna all dokumentation för porten till ägaren eller förvaltaren av portsystemet.

## 5 Drift

 <b>VARNING</b>	
  	<p><b>Portrörelser</b> Portrörelsen kan skada personer och föremål.</p> <ul style="list-style-type: none"> <li>▶ Se till att inga personer eller föremål befinner sig i rörelseområdet när porten manövreras.</li> <li>▶ Försäkra dig om att porten är helt öppen när du passerar. Passera inte förrän porten står helt stilla.</li> <li>▶ Försäkra dig även om att genomfartshöjden är tillräcklig innan du passerar.</li> <li>▶ Lyft aldrig föremål och / eller personer med hjälp av porten.</li> <li>▶ Fatta inte tag i styrningen eller inloppsstället när porten är i rörelse.</li> </ul>

### OBS!

#### Anordningar för nödmanövrering

Anordningarna för nödmanövrering kan skadas om de används för ofta. Dessutom upphör garantin för porten att gälla.

- ▶ Använd bara anordningarna för nödmanövrering vid strömavbrott eller reparationer.

### OBS!

#### Aggressiva medel, vind och värme

Porten kan skadas av aggressiva medel, vind och värme.

- ▶ Skydda porten mot aggressiva medel:
  - salpeter från stenar eller murbruk
  - cement
  - gips
  - syror
  - lut
  - vägsalt
  - aggressiva ytbeläggningar
  - aggressiva tätningsmaterial
- ▶ Öppna eller stäng inte porten om det blåser kraftigt (ej ytterport).
- ▶ Undvik temperaturer över 50°C i närheten av porten.

### 5.1 Kompetent person

Portsystemet får endast användas av personer som är instruerade i hur det fungerar. En person betraktas som instruerad (enligt EN 12453) när denne fått information om riskfri manövrering av porten samt har ägarens tillstånd att använda portsystemet.


### 5.2 Normalt slitage

Den snabbgående rullporten har en konstruktion som motsvarar dagens tekniska utveckling. Tryckställen och nötning beror på konstruktionen och kan inte undvikas.

### 5.3 Nödstop

- ▶ Koppla ifrån strömmen i styrsystemet vid nödfall, genom att använda huvudströmbrytaren, dra ur nätkontakten eller trycka på den röda knappen för **Nödstop** om sådan finns.

## 6 Kontroll och underhåll

 <b>VARNING</b>
<p><b>Bristande underhåll</b> Om porten inte kontrolleras och underhålls regelbundet finns risk för skador på personer och material. Dessutom upphör garantin att gälla.</p> <ul style="list-style-type: none"> <li>▶ Kontrollera och underhåll porten regelbundet enligt beskrivningen i denna bruksanvisning, eller överlåt arbetet på tillverkarens serviceföretag.</li> </ul>




### **LIVSFARA**

#### Nätspänning!


Det finns risk för livshotande elstötar om man kommer i kontakt med nätspänningen.

- ▶ Koppla ifrån spänningen i anläggningen före alla elarbeten, och se till att den inte kan kopplas till igen av misstag.

### **VARNING**

  	<p><b>Portrörelser</b> Om porten manövreras under pågående kontroll- eller underhållsarbete kan personer eller föremål skadas.</p> <ul style="list-style-type: none"> <li>▶ Koppla ifrån spänningen i anläggningen före alla elarbeten, och se till att den inte kan kopplas till igen av misstag.</li> <li>▶ Sätt även spaken / handtaget för nödöppning ur drift (om sådant finns).</li> </ul>
---	--

### **VARNING**

	<p><b>Nedfallande delar</b> Vid demonteringen kan delar falla ner och skada personer eller föremål.</p> <p><b>Kåpa (specialtillbehör)</b></p> <ul style="list-style-type: none"> <li>▶ Fixera kåpan (t ex med en gaffeltruck) innan den demonteras.</li> </ul> <p><b>Axel</b></p> <ul style="list-style-type: none"> <li>▶ Fixera axeln (t ex med en gaffeltruck) innan maskineriet demonteras.</li> </ul>
---	--

Du får endast kontrollera och underhålla denna port själv om du är sakkunnig (kompetent person enligt EN 12635). Med det menas att du måste ha lämplig kompetens, nödvändiga kunskaper och praktisk erfarenhet för att kunna kontrollera och underhålla porten på ett korrekt och säkert sätt.

Följ alla gällande arbetsskyddsföreskrifter.

Vi rekommenderar generellt att kontroll och underhåll utförs av tillverkarens serviceföretag.

Den snabbgående rullporten är nästan underhållsfri. Under normala driftförhållanden är alla lagerställen, inklusive växellådan, smorda och underhållsfria under portsystemets hela livslängd.

## 6.1 Underhållsintervall

Kontroll och underhåll ska utföras en gång per år med så regelbundet intervall som möjligt enligt riktlinjerna för motordrivna fönster, dörrar och portar (ASR A1.7).

Beroende på portens storlek och den årliga belastningen rekommenderar vi följande underhållsintervall:

### Vid mycket höga belastningar (> 50000 per år):

Underhåll av funktionsdelar varje halvår:

- Maskineri och bromsar
- Alla skruvförband
- Ändlägesfrånkoppling / omkoppling krypfart
- Styrsystem / impulsgivare

### Vid lägre belastningar:

Årligt underhåll i samband med kontroll av olycksförebyggande anordningar (enligt ASR A1.7).

- ▶ Funktionstesta fotoceller / ljusrådär varje halvår.

## 6.2 Slitagedelar

För följande uppräknade slitagedelar gäller, om tillämpligt, att de angivna cyklerna resp. utbytesintervallerna är maximivärden.

Slitagedelar	Cykler	Tidsintervall
Maskineri (60 % ED)	500 000	2 år
till 30 april 2017		
Maskineri (rörmotor; 60 % ED)	350 000	2 år
från		
1 maj 2017 / V 4015 SEL Alu-R	700 000	2 år
Maskineri (rörmotor; 60 % ED) <sup>1)</sup>		
Bromsar	250 000	2 år
FjärrCrash-brytare batteri	-/-	2 år
Energikedja med kabel	250 000	2 år
Fjädrar	100 000	2 år
Spännband	100 000	2 år
Platta remmar (motvikt, lameller)	500 000	2 år
Löprullar	100 000	2 år
Reservbatteri	-/-	1,5 år
Reservbatteri (RW-portar)	-/-	1 år
Gångjärn	100 000	2 år
Tätningar/Tätningsslister	150 000	2 år
Portduk (V 3515 Iso + V 4015 Iso L)	150 000	2 år
Ljusrådär / fotoceller	-/-	2 år

<sup>1)</sup> Komponenter i de ovan nämnda cyklerna måste absolut bytas ut.

## 7 Styrsystem

Styrsystemet tillverkas individuellt för varje port. Kopplingsdiagrammet och programbeskrivningen finns i manöverskåpet.

- ▶ Bifoga kopplingsdiagrammet och programbeskrivningen till denna bruksanvisning.

Varje manöverskåp har ett nummer.

- ▶ Ange alltid detta nummer vid frågor.

## 8 Störningar och felåtgärder

Vänd er till vår kundtjänst vid driftstörningar.

### Spänningsförsörjningens prestanda

Driftspänningen måste uppgå till 230 V ± 5 % resp. 400 V ± 5 %. Kraftiga avvikelser kan orsaka driftproblem i maskineriet.

## 9 Rengöring och skötsel

Använd varmt vatten med neutralt rengöringsmedel utan slipande verkan (handdiskmedel med pH 7, Isopropanol 99,9 %)

Använd endast mjuka tygtrasor eller sämskskinn vid rengöringen. Skölj av smuts- och dammpartiklarna med rent vatten.

## 10 Utökning och ombyggnad

### VARNING

#### Ej godkända komponenter

Ej godkända komponenter kan överbelasta portsystemet. Detta medför risk för livshotande personskador.

- ▶ Använd endast komponenter som godkänts av tillverkaren.

Portsystemet får inte byggas ut eller modifieras utan tillverkarens tillstånd.

Garantin och produktansvaret upphör om konstruktionsändringar genomförs utan tillverkarens medgivande.

## 11 Demontering och avfallshantering

### VARNING



#### Nedfallande delar

Vid demonteringen kan delar falla ner och skada personer eller föremål.

#### Kåpa (specialtillbehör)

- ▶ Fixera kåpan (t ex med gaffeltruck) innan den demonteras.

#### Axel

- ▶ Fixera axeln (t ex med en gaffeltruck) innan maskineriet demonteras.

Porten ska demonteras och tas om hand av sakkunnig person (kompetent person enligt EN 12635). Det innebär att personen i fråga ska ha utbildning, kunskap och praktisk erfarenhet av hur man säkert demonterar porten.

Följ alla arbets säkerhetsföreskrifter vid demonteringen.

**Demontera och avfallshandtera porten:**

1. Öppna porten helt.
2. Rulla försiktigt upp porten med hjälp av nödmanöverdonet.
3. Linda flera varv tejp (t ex packtejp) runt portduken eller pansaret så att det inte kan rullas ut.
4. Sätt en gaffeltruck med en lämplig pall eller annan lämplig bäranordning under axeln så att den vilar säkert.
5. Skruva loss infästningarna på lager och maskineri.
6. Lyft av axeln eller överdelen med maskineriet från konsolerna.

**VAR FÖRSIKTIG!**

**Maskineriet kan glida av upprullningsaxelns tappor**

- ▶ Håll axeln eller överdelen vågrät när den lyfts.
7. Demontera styrskenorna resp. sidodelarna och konsolerna.
  8. Plocka isär portkomponenterna och ta hand om delarna enligt gällande föreskrifter.

## Sisältö

<b>1</b>	<b>Käyttöohjetta koskevia ohjeita.....</b>	<b>25</b>
1.1	Muut voimassa olevat asiakirjat .....	25
1.2	Käytetyt varoitukset.....	25
1.3	Käytetyt symbolit.....	26
1.4	Käytetyt lyhennykset .....	26
<b>2</b>	<b>⚠ Turvaohjeet.....</b>	<b>26</b>
2.1	Määräystenmukainen käyttö .....	26
2.2	Henkilökunnan pätevyys .....	27
2.3	Standardit ja määräykset.....	27
2.4	Yleiset turvaohjeet .....	27
2.5	Käyttöä koskevia turvaohjeita.....	27
2.6	Kunnossapitotoimenpiteet ja häiriönpoisto .....	27
<b>3</b>	<b>Asennus.....</b>	<b>27</b>
<b>4</b>	<b>Käyttöönotto .....</b>	<b>28</b>
4.1	Pääteasentojen säätö .....	28
4.2	Koeajo .....	28
<b>5</b>	<b>Käyttö .....</b>	<b>29</b>
5.1	Opastettu henkilöstö .....	29
5.2	Tavallinen kuluminen.....	29
5.3	Hätä-Seis.....	29
<b>6</b>	<b>Tarkastus ja huolto .....</b>	<b>29</b>
6.1	Huoltovälit.....	30
6.2	Kuluvat osat.....	30
<b>7</b>	<b>Ohjaus.....</b>	<b>30</b>
<b>8</b>	<b>Toimintahäiriöt ja hoito .....</b>	<b>30</b>
<b>9</b>	<b>Puhdistus ja hoito.....</b>	<b>30</b>
<b>10</b>	<b>Laajennus- ja muutostyöt.....</b>	<b>30</b>
<b>11</b>	<b>Laitteen korjaus ja hävittäminen.....</b>	<b>30</b>



.....60

Hyvä asiakas,  
kiitos, että valitsit korkealaatuisen tuotteemme.

## 1 Käyttöohjetta koskevia ohjeita

Tämä käyttöohje koostuu teksti- ja kuvaosasta. Kuvaosa on liitetty tekstiosaan.

Alkuperäisen käyttöohjeen käännös. Lue käyttöohje huolellisesti läpi, sillä se sisältää tärkeää tuotetietoa. Noudata kyseisiä ohjeita ja erityisesti turvallisuusohjeita ja varoituksia.

Säilytä käyttöohje huolellisesti ja varmista, että se on aina saatavilla sekä tuotteen käyttäjien nähtävillä.

Valmistaja ei ole vastuussa vahingoista, jotka ovat syntyneet käyttöohjeiden noudattamatta jättämisestä tai teollisuusoven epätavanomaisesta käytöstä.

Asiantunteva käyttö ja huolellinen huolto vaikuttavat suuresti teollisuusoven tehoon ja toimivuuteen. Käyttövirheet ja riittämätön huolto aiheuttavat käyttöhäiriöitä, jotka voidaan välttää. Hyvä, pitkäaikainen käyttöturvallisuus voidaan taata vain ammattimaisella käytöllä ja huolellisella huollolla.

Asiakaspalvelu vastaa mielellään kysymyksiisi. Ota siihen yhteyttä, jos sinulla on vielä kysyttävää käyttöohjeen lukemisen jälkeen.

### 1.1 Muut voimassa olevat asiakirjat

Toimitukseen sisältyy tilatuista tarvikkeista riippuen lisäohjeita, kuten esim. oven ohjauksen käyttöohje. Lue myös nämä ohjeet huolellisesti ja kokonaan läpi. Noudata kyseisiä ohjeita ja erityisesti näiden käyttöohjeiden turvallisuusohjeita ja varoituksia.

### 1.2 Käytetyt varoitukset



Yleinen varoitussymboli merkitsee vaaraa, joka voi johtaa **loukkaantumiseen** tai **kuolemaan**. Yleistä varoitussymbolia käytetään tekstiosassa yhdessä seuraavassa kuvattujen vaaratasojen kanssa. Kuvaosassa on lisäksi tekstiosan selityksiin viittaavia tietoja.

#### ⚠ VAARA

Merkitsee vaaraa, joka voi johtaa välittömään kuolemaan tai vakavaan loukkaantumiseen.

#### ⚠ VAROITUS

Merkitsee vaaraa, joka voi johtaa kuolemaan tai vakavaan loukkaantumiseen.



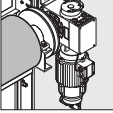
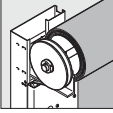


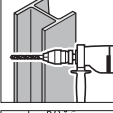

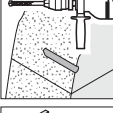
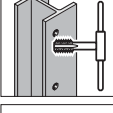
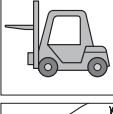

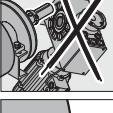
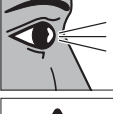

#### ⚠ VARO

Merkitsee vaaraa, joka voi johtaa lieviin tai keskivakaviin loukkaantumisiin.

#### VAROITUS

Merkitsee vaaraa, joka voi johtaa **tuotteen vaurioitumiseen** tai **tuhoutumiseen**.

### 1.3 Käytetyt symbolit

	Tärkeät ohjeet henkilö - ja esinevahinkojen välttämiseksi
	Varoitus vaarallisesta sähköjännitteestä
	Käyttöpuoli
	Laakeripuoli
	Kiristä ruuviliitos käsin
	Valinnaiset rakenneosat
	Poraaminen teräkseen
	Poraaminen betoniin
	Poraaminen muuriin
	Kierteiden leikkaaminen
	Käytä sopivia nostolaitteita (esim. haarukkatrukkia, nosturia)
	Hävitä jätteet
	Kiinnitä käyttölaite
	Tarkista
	Puristumisvaara

	Leikkautumisvaara
	Osumavaara
	Puristumisvaara oven liikuessa
	Voitelu
	Työvaiheiden oikea järjestys
	Ei-sallittu järjestys tai toiminta
	Poista rakenne tai pakkaus ja hävitä
	Katso tekstiosa
	Katso kuvaosa
	Katso ohjauksen tai sähköisten lisäelementtien erilliset asennusohjeet

### 1.4 Käytetyt lyhennykset

EN	Eurooppalainen standardi
OFF	Yläreuna-valmis-lattia
LDB	Vapaa läpikulkuleveys
LDH	Vapaa läpikulkukorkeus

## 2 Turvaohjeet

Määräystenmukaisesti käytettynä teollisuusovet ovat käyttöturvallisia. Siitä huolimatta voi syntyä vaaratilanteita, jos niitä käsitellään epäasianmukaisesti tai määräystenvastaisesti. Siksi viittaamme jokaisessa luvussa painokkaasti turvallisuusohjeisiin.

### 2.1 Määräystenmukainen käyttö

Teollisuusovia käytetään läpikulkuaukkojen sulkemiseen, tilojen turvalliseen sulkemiseen, koneiden suojaamiseen, energiakulujen säästöön, tilojen ilmastoinnin parantamiseen ja materiaalivuon nopeuttamiseen.

Määräystenmukaiseen käyttöön kuuluu myös käyttöohjeen huomiominen ja tarkastus- ja huoltomääräysten noudattaminen.

Kaikki muu ja tämän yli menevä käyttö on määräysten vastaista. Tästä syntyneistä vahingoista valmistaja / toimittaja ei vastaa. Vastuu on yksinomaan käyttäjällä.

## 2.2 Henkilökunnan pätevyys

Vain pätevä ja opastettu henkilöstö saa asentaa, käyttää ja huoltaa teollisuusovea.

Teollisuusoven käyttöön valtuutetun henkilöstön on ennen töihin ryhtymistä luettava tämä käyttöohje huolellisesti läpi ja erityisesti sen kappale 2.

Vastuu käytöstä, huollosta ja kunnossapidosta on määriteltävä selvästi, jottei turvallisuuskysymyksissä esiinny myöhemmin mitään epäselvyyksiä.

## 2.3 Standardit ja määräykset

Vähintään seuraavia eurooppalaisia standardeja ja direktiivejä sekä kaikkia maakohtaisia turvamääräyksiä, standardeja ja määräyksiä on noudatettava:

### Eurooppalaiset standardit

EN 12445	Ovet – Konekäyttöisten ovien käyttöturvallisuus – Testausmenetelmät
EN 12453	Ovet ja portit – Konekäyttöisten ovien käyttöturvallisuus – Vaatimukset
EN 12604	Ovet – Mekaaniset ominaisuudet – Vaatimukset
EN 12978	Ovet – Konekäyttöisten ovien turvalaitteet – Vaatimukset ja tarkistusmenetelmät
EN 60335-1	Kotitaloussähkölaitteiden ja vastaavien turvallisuus. Osa 1: yleiset vaatimukset
EN 61508	Turvalaitteisiin liittyvien sähköisten ja elektronisten järjestelmien ja ohjelmoitavien elektronisten järjestelmien käyttöturvallisuus

### VDE-määräykset

VDE 0113	Elektronisin käyttövälinein toimivat sähkölaitteistot
VDE 0700	Elektronisten laitteiden turvallisuus kotikäytössä ja muissa käyttötarkoituksissa

### Tapaturmantorjuntamääräykset

BGV A3	Sähkölaitteistot ja käyttövälineet
ASR A1.7	Työskentelypaikkojen tekniset säännöt

## 2.4 Yleiset turvaohjeet

- Noudata voimassaolevia tapaturmantorjunta- ja ympäristönsuojelumääräyksiä sekä hyväksytyjä turvallisuutta ja ammattimaista työskentelyä koskevia ammattiteknisiä säädöksiä. Perehdytä henkilöstö näihin sääntöihin ja määräyksiin ennen töihin ryhtymistä.
- Käyttöohje on säilytettävä aina teollisuusoven käyttöpaikalla helposti saatavilla.
- Teollisuusoveen ei ilman toimittajan suostumusta saa tehdä mitään sen turvallisuuteen vaikuttavia muutoksia tai lisärakenteita.
- Älä tee mitään ohjelmanmuutoksia (software) ohjelmoitaviin ohjausjärjestelmiin.

- Palosammuttimen käyttöä on opastettava ja sen paikka on ilmoitettava vastaavilla ohjekylteillä. Noudata voimassaolevia paloilmoitus- ja palontorjuntamääräyksiä.
- Kaikki teollisuusovea koskevat työt, kuten huolto- ja puhdistustyöt sekä tarkistukset saa suorittaa vain käytön seistessä.
- Anna vain sähköammattilaisen suorittaa sähköliitännät.
- Kytke laitteen jännite pois päältä ennen jokaista työtä ja varmista asiaton uudelleenpäällekytkentä. Aseta mahdollinen hätäaukaisukytkin pois päältä.

## 2.5 Käyttöä koskevia turvaohjeita

- Ennen kuin käytät ovea, varmista, ettei oven liikealueella ole henkilöitä tai esineitä.
- Älä tartu ohjaimen tai ohjauskohtaan käyttäessäsi ovea.
- Käytä teollisuusovea ainoastaan silloin, kun se on turvallisessa ja toimintakykyisessä kunnossa. Kaikkien turvalaitteiden ja turvallisuuteen kuuluvien laitteiden, esim. irrotettavien turvalaitteiden, Hätä-Seis-laitteiden) on oltava paikoillaan ja toiminnassa.
- Älä tee turvalaitteisiin muutoksia, poista niitä äläkä tee niitä käytökelvottomiksi.

## 2.6 Kunnossapitotoimenpiteet ja häiriönpoisto

- Suorita luvun 6määrätyt tarkastus- ja huoltotoimenpiteet. Noudata annettua huoltoväliä ja osien / osavarusteiden vaihtoa koskevia ohjeita.
- Anna vain ammattilaisten suorittaa kunnossapitotoimenpiteet.
- Varaosien on vastattava valmistajan määräämiä teknisiä vaatimuksia. Alkuperäiset varaosat täyttävät aina nämä vaatimukset.
- Hitsaus-, poltto- ja hiontatöiden suoritukseen teollisuusovissa on saatava nimenomainen lupa. Palo- ja räjähdysvaara! Teollisuusovi ja sen ympäristö on ennen hitsausta, polttotöitä ja hiontaa puhdistettava pölystä ja syttyvistä aineista ja huolehdittava riittävästä tuuletuksesta.
- Ennen kuin purat käyttölaitteen, kiinnitä akseli käyttöpuolelle (esim. haarukkatrukillä).

## 3 Asennus

### VAARA

#### Verkköjännite!

Kontakti verkköjännitteeseen voi aiheuttaa hengenvaarallisen sähköiskun. Noudata sen vuoksi ehdottomasti seuraavia ohjeita:

- ▶ Anna vain sähköammattilaisen suorittaa sähköliitännät.
- ▶ Sähköasennukset tulee suorittaa lakien ja asetusten mukaan.
- ▶ Huolehdi siitä, että sähkölaitteiden käyttöä koskevia kansallisia määräyksiä noudatetaan.
- ▶ Asenna teollisuusoven käyttölaitteen ohjaus näköetäisyydelle ovesta.
- ▶ Kytke laitteen jännite pois päältä ennen sähkötöitä ja varmista asiaton uudelleenpäällekytkentä.

**VAROITUS****Vierasjännite**

Ohjauksen liitäntöihin kohdistuva vierasjännite aiheuttaa elektroniikan tuhoutumisen.

- ▶ Älä liitä vierasjännitettä (esim. verkkojännitettä) liittimiin.

**VAROITUS****Sähköjohtojen vetäminen**

Sähköjohtoista vetäminen vaurioittaa elektroniikkaa.

- ▶ Älä koskaan vedä sähkörakenteiden liitäntäjohtoista.

**OHJE:**

Toimitukseen sisältyvä kiinnitysmateriaali on hyväksytty seuraaville kiinnityspinnoille:

Betoniruuvit:	Asennuspintana repeytynyt betoni C20 / 25, repeämätön betoni C20 / 25 ja tiilimuuraus.
Pitkä asennustulppa:	Asennuspintana betoni C12 / 15, kaasubetoni, kalkkihiekkakivi ja umpitiili.
Metriset ruuvit:	Asennuspintana teräs. On varmistettava, että käytetään riittävän paksua ja lujaa terästä.

Mikäli käytetään muuta asennuspintaa, on valittava soveltuva kiinnitysmateriaali (ei sisälly toimitukseen).

**OHJE:**

Noudata sähköliitäntöjen kytkennöissä ja sähköisten lisäelementtien asennuksessa mukana toimitettuja käyttöohjeita.

**Oven asennus:**

1. Turvaa asennuspaikka.
2. Tarkista oven asennusedellytykset ja -mitat.
3. Tarkasta alustan riittävä tukevuus.
4. Valitse sopivat kiinnitysvälineet.
5. Pura ovi pakkauksestaan ja tarkista, ettei se ole vaurioitunut.
6. Huolitsijan välityksellä tapahtuneissa toimituksissa – vauriot ilmoitettava välittömästi.
7. Tarkista, että toimitus on täydellinen.
8. Hävitä pakkausmateriaali
9. Asenna ovi kuvan esimerkin mukaisesti.

**4 Käyttöönotto****VAROITUS****Viallinen ovi**

Viallinen ovi voi aiheuttaa loukkaantumisia ja vaurioittaa esineitä.

- ▶ Ota ovi käyttöön vasta, kun se on moitteettomassa käyttökunnossa.

**VAROITUS****Oven liikkeet**

Oven liikkeiden seurauksena voi syntyä henkilö- tai esinevahinkoja.

- ▶ Varmista, ettei ovea käytettäessä sen sulkeutumisalueella ole henkilöitä tai esineitä.
- ▶ Älä koskaan nosta ovella esineitä tai henkilöitä.
- ▶ Älä koske oven käytön aikana ohjaimen, ohjauskohtaan, ketjuun, hammaspyörään tai kääntörullaan.

**4.1 Pääteasentojen säätö**

Oven pääteasennot säädetään sähkökaapista.

**OHJE:**

Noudata käyttölaitteen ja ohjauksen ohjeita.

**4.1.1 Pääteasento Ovi-kiinni****VAROITUS****Ovi-kiinni-pääteasennon ohittaminen**

Jos pääteasento *Ovi-kiinni* ohitetaan, on olemassa vaara, että kontaktikiskoprofiili vaihtuu. Tällöin kontaktikiskoprofiilin toiminta pysähtyy.

- ▶ Älä ohita pääteasentoa *Ovi-kiinni*.

- ▶ Säädä pääteasento *Ovi-kiinni* siten, että pääteprofiili koskettaa kokonaan lattiaan. Mikäli ohjainta on tuettava tai lattia on epätasainen, valitse pääteasento sivuelementin alareunan tasolta.

**4.1.2 Pääteasento Ovi-auki****VAROITUS****Ovi-auki-pääteasennon ohittaminen**

Jos pääteasento *Ovi-auki* ohitetaan, on olemassa vaara, että oviverho luisuu pois ohjauskiskoilta ja vaurioituu.





- ▶ Älä ohita pääteasentoa *Ovi-auki*.

- ▶ Säädä pääteasento *Ovi-auki* siten, että etäisyys reunaprofiilin alareunaan vastaa ovikorkeutta.

**4.2 Koeajo**

1. Testaa oven käyttöturvallisuus hyväksymis- / luovutusasiakirjan mukaisesti, kun asennus on valmis.
2. Vahvista päivämäärällä ja allekirjoituksellasi, että koeajo on suoritettu onnistuneesti.
3. Luovuta koko ovidokumentointi oven omistajalle tai käyttäjälle asennustöiden, koeajon ja tarkistuksen päätyttyä.

## 5 Käyttö

 <b>VAROITUS</b>	
  	<p><b>Oven liikkeit</b> Oven liikkeiden seurauksena voi syntyä henkilö- tai esinevahinkoja.</p> <ul style="list-style-type: none"> <li>▶ Varmista, ettei ovea käytettäessä sen sulkeutumisalueella ole henkilöitä tai esineitä.</li> <li>▶ Varmistu, että ovi on kokonaan auki, aja ovesta vasta sitten. Aja tai kävele ovesta vasta, kun se on kokonaan pysähtynyt.</li> <li>▶ Varmistu, että vaadittava läpikulkukorkeus täyttyy sisään tai ulos ajettaessa.</li> <li>▶ Älä koskaan nosta ovella esineitä tai henkilöitä.</li> <li>▶ Älä tartu ohjaimen tai ohjauskohtaan käyttäessäsi ovea.</li> </ul>

<b>VAROITUS</b>
<p><b>Hätäkäyttölaitteet</b> Jos hätäkäyttölaitteita käytetään liian usein, ne voivat vaurioitua. Lisäksi oven takuu raukeaa.</p> <ul style="list-style-type: none"> <li>▶ Käytä hätäkäyttölaitteita vain sähkökatkon tai korjaustöiden aikana.</li> </ul>

<b>VAROITUS</b>
<p><b>Voimakkaat aineet, tuuli ja kuumuus</b> Ovi saattaa vahingoittaa voimakkaiden aineiden, tuulen ja kuumuuden vaikutuksesta.</p> <ul style="list-style-type: none"> <li>▶ Suojaa ovi voimakkailta aineilta: <ul style="list-style-type: none"> <li>– kivien ja laastin tyyppihapon reaktiot</li> <li>– sementti</li> <li>– kipsi</li> <li>– hapot</li> <li>– lipeä</li> <li>– tiesuola</li> <li>– voimakasvaikutteiset maalit</li> <li>– voimakasvaikutteiset tiivistysmateriaalit</li> </ul> </li> <li>▶ Vältä yli 50° C:en lämpötiloja oven lähellä.</li> </ul>

### 5.1 Opastettu henkilöstö

Ovea saa käyttää ainoastaan opastettu henkilöstö. Henkilöä voidaan pitää opastettuna (EN 12453), kun hänet on opastettu oven turvalliseen käyttöön ja hänellä on omistajan lupa käyttää ovilaitteistoa.


### 5.2 Tavallinen kuluminen


Rakenne vastaa tekniikan tämän hetken vaatimuksia. Painaumat ja kuluminen johtuvat rakenteesta eikä niitä voida välttää.





### 5.3 Häätä-Seis



- ▶ Häätätilanteissa kytke ohjauksen jännite pois päältä pääkytkintä käyttämällä, irrota verkkopistoke tai jos mahdollista, käytä punaista **Häätä-seis**-painiketta.

## 6 Tarkastus ja huolto

 <b>VAROITUS</b>
<p><b>Huoltamaton ovi</b> Ellei ovea tarkasteta ja huolleta säännöllisesti, syntyy loukkaantumisten ja vaurioitumisten vaara. Lisäksi takuu raukeaa.</p> <ul style="list-style-type: none"> <li>▶ Tarkasta ja huolla ovi säännöllisesti tässä käyttöohjeessa kuvatulla tavalla tai anna valmistajan huollon tehdä se.</li> </ul>

 <b>VAARA</b>
<p><b>Verkkajännite!</b> Kontakti verkkajännitteeseen voi aiheuttaa hengenvaarallisen sähköiskun.</p> <ul style="list-style-type: none"> <li>▶ Kytke laitteen jännite pois päältä ennen sähkötöitä ja varmista asiaton uudelleenpäällekytkentä.</li> </ul>

 <b>VAROITUS</b>	
  	<p><b>Oven liikkeit</b> Jos ovea käytetään tarkastus- tai huoltotöiden aikana, syntyy loukkaantumisten ja vaurioitumisten vaara.</p> <ul style="list-style-type: none"> <li>▶ Kytke laitteen jännite pois päältä ennen jokaista työtä ja varmista asiaton uudelleenpäällekytkentä.</li> <li>▶ Jos mahdollista, kytke hätäaukaisukytkin pois päältä.</li> </ul>

 <b>VAROITUS</b>	
	<p><b>Putoavat osat</b> Purkamisessa voi pudota osia, mikä saattaa aiheuttaa loukkaantumisia tai esineiden vaurioitumisia.</p> <p><b>Verhous (optio)</b></p> <ul style="list-style-type: none"> <li>▶ Kiinnitä verhous (esim. haarukkatrukilla) ennen kuin purat sen.</li> </ul> <p><b>Akseli</b></p> <ul style="list-style-type: none"> <li>▶ Kiinnitä akseli (esim. haarukkatrukilla), ennen kuin purat käyttölaitteen.</li> </ul>

WPS:n saa tarkastaa ja huoltaa vain valtuutettu ammattihenkilö (EN 12635 -standardin mukainen ammattihenkilö). Se tarkoittaa, että henkilöllä on oltava soveltuva koulutus, ammattipätevyys sekä käytännön kokemusta oven tarkastamisesta ja huoltamisesta.

Noudata kaikkia voimassaolevia työturvallisuusmääräyksiä.

Yleinen suosituksemme on, että annat valmistajan huollon tehdä tarkastus- ja huoltotyöt.

Pikarullaovi tarvitsee vain vähän huoltoa. Kaikki laakerikohdat mukaan lukien vaihteet on voideltu normaaleissa käyttöolosuhteissa koko käyttöiäksi, ja ne ovat huoltovapaita.

## 6.1 Huoltovälit

Konekäyttöisiä ikkunoita, ovia ja portteja koskevien määräysten (ASR A1.7) mukaisesti ovi on huollettava kerran vuodessa, mahdollisuuksien mukaan samoin aikavälein.

Oven koosta ja vuosittaisesta kuormitusykyistä riippuen suosittelemme seuraavia huoltovälejä:

### Erittäin korkeissa kuormitusykyissä (> 50000 vuodessa):

toimintoelementtien huoltoa puolivuositain:

- sähkökäyttö ja jarrut
- kaikki ruuviliitokset
- raja-asennon poiskytkentä / vaihto ryömimisnopeuteen
- ohjaus / impulssianturi

### alhaisemmissa kuormitusykyissä:

Huolto kerran vuodessa yhdessä määräystenmukaisen UVV-tarkistuksen yhteydessä (ASR A1.7 mukaisesti).

- Tarkista D-laitteiden toiminta (valokennot / valopuomit) puolivuositain.

## 6.2 Kuluvat osat

Seuraavassa mainittuja kuluvia osia, mikäli ne ovat olemassa, koskevat ilmoitetut suurimmat oletetut syklit ja/ tai kuormanvaihdot:

Kuluvat osat	Syklit	Aikaväli
Käyttölaite (60 % ED)	500 000	2 vuotta
30.04.2017 asti Käyttölaite (putkimoottori; 60 % ED)	350 000	2 vuotta
alkaen 01.05.2017 / V 4015 SEL Alu-R Käyttölaite (putkimoottori; 60 % ED) <sup>1)</sup>	700 000	2 vuotta
Jarru	250 000	2 vuotta
FunkCrash-kytkin, akku	-/-	2 vuotta
Energiansiirtoketju ja kaapeli	250 000	2 vuotta
Jouset	100 000	2 vuotta
Kangashihnat	100 000	2 vuotta
Litteähihna (vastapaino, lamellit)	500 000	2 vuotta
Juoksupyörät	100 000	2 vuotta
USV-akku	-/-	1,5 vuotta
USV-akku (RW-ovet)	-/-	1 vuosi
Saranat	100 000	2 vuotta
Tiivisteet / tiivistelistat	150 000	2 vuotta
Oviverho (V 3515 Iso + V 4015 Iso L)	150 000	2 vuotta
Valopuomi / valokennot	-/-	2 vuotta

1) Rakennneosat on ehdottomasti vaihdettava yllä mainittujen syklien yhteydessä.

## 7 Ohjaus

Ohjaus valmistetaan tilauskohtaisesti ovea kohti. Kulloinkin voimassaoleva piirikaavio ja softwarekuvaus ovat sähkökaapissa ja käyttäjän on liitettävä ne käyttöohjeeseen.

- Liitä kytkentäkaavio ja softwarekuvaus tähän käyttöohjeeseen.

Jokaisella sähkökaapilla on oma numeronsa.

- Ilmoita numero aina kyselyissä.

## 8 Toimintahäiriöt ja hoito

Käänny häiriöiden esiintyessä huoltopalvelun puoleen.

### Käyttöjännite

Käyttöjännitteen on oltava 230 V ± 5 % tai 400 V ± 5 %. Suuremmat poikkeamat voivat aiheuttaa ongelmia käyttötehoon.

## 9 Puhdistus ja hoito

Käytä puhdistukseen lämmintä vettä ja neutraalia, vaahtoamatonta puhdistusainetta (kotitaloudessa käytettävä astianpesuaine, pH-arvo 7, Isopropanol 99,9 %).

Käytä puhdistukseen vain pehmeää liinaa tai ikkunasäämiskää. Huuhto lika ja pölyhiukkaset pois puhtaalla vedellä.

## 10 Laajennus- ja muutostyöt

### VAROITUS

#### Hyväksymättömät rakenneosat

Hyväksymättömät osat voivat ylikuormittaa ovirakennetta. Tästä voi olla seurauksena hengenvaarallisia loukkaantumisia.

- Käytä ainoastaan rakenteita, jotka olemme hyväksyneet.

Ovilaitteistoon saa tehdä lisäyksiä tai muutostöitä vain valmistajan luvalla.

Takuu ja kaupanvastuu raukeavat, mikäli laitteistoon tai sen osiin on tehty rakenteellisia muutoksia ilman valmistajan lupaa.

## 11 Laitteen korjaus ja hävittäminen

### VAROITUS



#### Putoavat osat

Purkamisessa voi pudota osia, mikä saattaa aiheuttaa loukkaantumisia tai esineiden vaurioitumisia.

#### Verhous (optio)

- Kiinnitä verhous (esim. haarukkatrukilla) ennen kuin purat sen.

#### Akseli

- Kiinnitä akseli (esim. haarukkatrukilla), ennen kuin purat käyttölaitteen.

Pura tämä ovi vain, jos olet asiantunteva (pätevä henkilö EN 12635 mukaisesti). Tämä tarkoittaa, sinulla on sopiva koulutus, ammattipätevyys ja käytännön kokemusta oven turvallisessa purkamisessa.

Noudata purkamisessa kaikkia voimassaolevia työturvallisuusmääräyksiä.

#### **Oven purkaminen ja hävittäminen:**

1. Avaa ovi kokonaan auki.
2. Nosta ovi hätä-käsikäytöllä varovasti.
3. Kierrä verhon ympärille monta kierrosta stabiilia liimanauhaa (esim. pakkauksessa käytettävää) niin, ettei verho voi enää kiertyä auki.
4. Aja sopivalla kuormalavalla tai -telineellä varustetulla haarukkatrukilla akselin alle niin, että akseli on kuormalavalla tai -telineellä.
5. Irrota laakerin ja käyttökoneiston kiinnitys.
6. Nosta akseli tai yläosa käyttöineen konsoleilta.

#### **HUOMIO!**

**Käyttö voi liukua pois rullausakselin tapilta. Tarkista, että lasket akselin alas vaakasuorassa.**

- ▶ Pidä akseli tai yläosa vaakasuorassa, kun lasket sitä.
7. Pura ohjauskiskot ja konsolit.
  8. Pura ovi osiin ja hävitä ne määräysten mukaisesti.

## Indholdsfortegnelse

<b>1</b>	<b>Om denne vejledning.....</b>	<b>32</b>
1.1	Gyldige dokumenter .....	32
1.2	Benyttede advarsler.....	32
1.3	Benyttede symboler .....	33
1.4	Benyttede forkortelser.....	33
<b>2</b>	<b>⚠ Sikkerhedsanvisninger .....</b>	<b>33</b>
2.1	Tilsluttet anvendelse .....	34
2.2	Personalets kvalifikationer.....	34
2.3	Standarder og forskrifter .....	34
2.4	Generelle sikkerhedsanvisninger.....	34
2.5	Sikkerhedsanvisninger for drift.....	34
2.6	Sikkerhedsanvisninger om vedligeholdelse og fejlafhjælpning .....	34
<b>3</b>	<b>Montering .....</b>	<b>35</b>
<b>4</b>	<b>Ibrugtagning.....</b>	<b>35</b>
4.1	Indstilling af yderstillinger .....	35
4.2	Prøvekørsel.....	36
<b>5</b>	<b>Drift .....</b>	<b>36</b>
5.1	Instrueret personale.....	36
5.2	Normal slitage.....	36
5.3	Nødstop.....	36
<b>6</b>	<b>Kontrol og service .....</b>	<b>36</b>
6.1	Serviceintervaller .....	37
6.2	Sliddele.....	37
<b>7</b>	<b>Styring.....</b>	<b>37</b>
<b>8</b>	<b>Fejl og fejlafhjælpning .....</b>	<b>37</b>
<b>9</b>	<b>Rengøring og pleje .....</b>	<b>37</b>
<b>10</b>	<b>Udvidelse og ombygning .....</b>	<b>38</b>
<b>11</b>	<b>Afmontering og bortskaffelse.....</b>	<b>38</b>
	 .....	<b>60</b>

Kære kunde,  
tak for at du har valgt et af vores kvalitetsprodukter.

## 1 Om denne vejledning

Vejledningen er opdelt i en tekst- og en billeddel.  
Billeddelen kommer direkte efter tekstdelen.

Oversættelse af den originale betjeningsvejledning. Læs denne vejledning omhyggeligt igennem; den indeholder vigtige informationer om produktet. Overhold anvisningerne - du skal især overholde alle sikkerhedsanvisninger og advarsler.

Opbevar vejledningen omhyggeligt og sørg for, at den altid står til rådighed for brugeren af produktet.

Producenten hæfter ikke for skader, der er opstået som resultat af manglende overholdelse af vejledningens anvisninger eller en ikke-bestemmelsesmæssig anvendelse af industriporten.


Sagkyndig betjening og omhyggelig service har stor indflydelse på industriportens ydelse og levetid. Betjeningsfejl og mangelfuld service fører til fejl, der ellers kan undgås. Tilfredsstillende, varig driftssikkerhed er kun garanteret ved betjening og omhyggelig service ved en fagmand.

Vores kundeservice står gerne til rådighed, hvis du har spørgsmål vedrørende betjeningsvejledningen.

### 1.1 Gyldige dokumenter

Afhængigt af det bestilte tilbehør omfatter leverancen også andre vejledninger, fx en vejledning om portens styring. Sørg for også at læse disse vejledninger omhyggeligt. Overhold anvisningerne - du skal især overholde alle sikkerhedsanvisninger og advarsler.

### 1.2 Benyttede advarsler

 Det generelle advarselssymbol henviser til en fare, der kan medføre **kvæstelser** eller **dødsfald**. I tekstdelen anvendes det generelle advarselssymbol i forbindelse med de nedenfor beskrevne advarselstrin. I billeddelen henviser en ekstra henvisning til forklaringerne i tekstdelen.

#### **FARE**

Henviser til en fare, der umiddelbart medfører dødsfald eller alvorlige kvæstelser.

#### **ADVARSEL**

Henviser til en fare, der kan medføre dødsfald eller alvorlige kvæstelser.



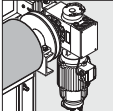
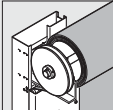


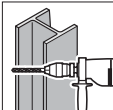

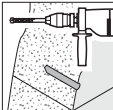
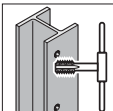
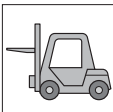

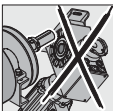
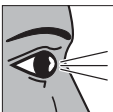

#### **FORSIGTIG**

Henviser til en fare, der kan medføre lette eller middelsvære kvæstelser.

#### **BEMÆRK!**

Henviser til en fare, der kan medføre **beskadigelse** eller **ødelæggelse af produktet**.

### 1.3 Benyttede symboler

	Vigtig henvisning med henblik på forebyggelse af personskader eller materielle skader
	Advarsel mod farlig, elektrisk spænding
	Motorside
	Lejeside
	Spænd skruesamlingen håndfast
	Ekstra komponenter
	Boring i stål
	Boring i beton
	Boring i murværk
	Skæring af gevind
	Brug et egnet løftemiddel (f x løftetruck, kran)
	Fjern rester
	Sikring af portmotoren
	Kontrol
	Fare for at komme i klemme

	Fare for at legemsdele bliver skåret af
	Fare for slag
	Fare for at blive trukket ind ved portkørsel
	Smøremidler
	Korrekt placering eller aktivitet
	Ulovlig placering eller aktivitet
	Fjern og bortskaf komponenten eller emballagen
	Se tekstdel
	Se billeddel
	Se separat monteringsvejledning for styring eller ekstra elektriske betjeningselementer

### 1.4 Benyttede forkortelser

DS / EN	Europæisk standard – DS / EN: Dansk standard og europæisk standard
OFF	Overkant-færdigt-gulv
LDB	Fri gennemkørselsbredde
LDH	Fri gennemgangshøjde

## 2 Sikkerhedsanvisninger

Industriporte er driftsikre, så længe de benyttes korrekt og i overensstemmelse med den tilsigtede anvendelse. Ikke desto mindre kan der stadig udgå farer fra dem, hvis de bruges usagkyndigt eller til andre formål. Vi gør derfor hermed tydeligt opmærksom på sikkerhedsanvisningerne i de enkelte kapitler.

## 2.1 Tilsigtet anvendelse

Industriporte bruges til lukning af gennemgangsåbninger, sikker aflukning af lokaler / arealer, sikring af maskiner, energibesparelse, forbedring af indeklimaet og optimering af materialestrømmen.

Til den tilsigtede anvendelse hører også, at vejledningen og inspektions- og servicebestemmelserne overholdes.

Enhver anden brug eller brug derudover anses ikke for at være i overensstemmelse med den tilsigtede anvendelse. Producenten / leverandøren påtager sig intet ansvar for skader, der skyldes en sådan brug. Brugeren bærer den fulde risiko.

## 2.2 Personalets kvalifikationer

Det er kun kvalificeret og instrueret personale, der må installere, bruge og vedligeholde industriporten.

Personalet, der får til opgave at arbejde med industriporten, skal før arbejdets begyndelse have læst vejledningen, især kapitel 2.

Sørg for at udarbejde faste regler vedrørende betjening, vedligeholdelse og istandsættelse, så der ikke opstår usikkerhed omkring kompetencerne.

## 2.3 Standarder og forskrifter

Du bør som minimum overholde følgende europæiske standarder og direktiver samt alle nationale sikkerhedsbestemmelser, standarder og forskrifter:

### Europæiske standarder

EN 12445	Sikkerhed ved brug af automatiske døre og porte – Prøvningsmetoder
EN 12453	Sikkerhed ved brug af automatiske døre og porte – Krav
EN 12604	Porte – mekaniske aspekter – Krav
EN 12978	Sikkerhed ved brug af automatiske døre og porte – Krav og kontrolmetoder
EN 60335-1	Sikkerhed ved elektriske apparater ved brug i hjemmet og til lignende formål – del 1: Generelle krav
EN 61508	Funktionel sikkerhed for elektriske / elektroniske / programmerbare sikkerhedsrelaterede systemer

### VDE-forskrifter

VDE 0113	Elektriske anlæg med elektroniske driftsmidler
VDE 0700	Elektriske apparater til husholdningsbrug o.l. – Sikkerhed

### Ulykkesforebyggelsesforskrifter

BGV A3	Elektriske anlæg og driftsmidler
ASR A1.7	Tekniske regler for arbejdspladser

## 2.4 Generelle sikkerhedsanvisninger

- Overhold de generelle, lovmæssige og forpligtende regler for forebyggelse af ulykker og for miljøbeskyttelse, de nationale forskrifter og de anerkendte fagtekniske regler for sikkerhedsmæssigt og korrekt arbejde. Personalet skal instrueres iht. disse regler og forskrifter, inden arbejdet påbegyndes.
- Denne vejledning skal altid være lige ved hånden på industriportens anvendelsessted.
- Foretag ikke ændringer, til- eller ombygninger på industriporten, der kan indskrænke sikkerheden, uden forudgående tilladelse fra leverandøren.
- Foretag ikke ændringer af softwaren til de programmerbare styringssystemer.
- Informér personalet om, hvor brandslukningsmaterialet er anbragt vha. henvisningsskilte og forklar hvordan det bruges. Overhold de lovmæssige brandmeldings- og brandbekæmpelsesforskrifter.
- Arbejde på industriporten, såsom vedligeholdelsesarbejde, rengøring og kontroller, må kun gennemføres, når porten er ude af drift.
- Elektriske tilslutninger skal udføres af en uddannet elektriker.
- Afbryd spændingsforsyningen til anlægget inden elektrisk arbejde og sikr det mod utilsigtet genindkobling. Sæt håndtaget til nødåbningen ud af drift, hvis der er et sådant håndtag.


## 2.5 Sikkerhedsanvisninger for drift

- Vær opmærksom på, at der hverken befinder sig personer eller genstande for tæt på porten, når den aktiveres.
- Rør aldrig ved køreskinnen eller indløbet, når porten er i drift.
- Brug kun industriporten, når den befinder sig i en sikker og funktionsdygtig tilstand. Alle sikkerhedsanordninger og sikkerhedsrelevante anordninger såsom aftageligt beskyttelsesudstyr og NØDSTOP-udstyr skal være monteret på porten og fungere.
- Du må ikke sætte sikkerhedsudstyret ud af drift eller ændre det.

## 2.6 Sikkerhedsanvisninger om vedligeholdelse og fejlafhjælpning

- Gennemfør kontrol- og vedligeholdelsesarbejde som beskrevet i kapitel 6. Overhold serviceintervallerne og vær opmærksom på angivelserne om udskiftning af dele / deludstyr.
- Vedligeholdelsesarbejde og fejlafhjælpning må kun udføres af fagfolk.
- Reservedele skal opfylde de tekniske krav, producenten har fastlagt. Med originale reservedele er det altid sikret, at kravene opfyldes.
- Gennemfør kun svejse-, brænd- og slibearbejde på industriporten, hvis der er givet udtrykkelig tilladelse til det. Der kan fx opstå brand- og eksplosionsfare! Rengør industriporten og omgivelserne for støv og brændbare stoffer og sørg for tilstrækkelig udluftning før svejsning, brænding og slibning.
- Fastgør akslen på motorsiden (fx med en gaffeltruck), inden du afmonterer portmotoren.

### 3 Montering

 <b>FARE</b>
<p><b>Netspænding!</b></p> <p>Der er risiko for et dødeligt strømstød ved kontakt med netspændingen. Overhold derfor ubetinget følgende anvisninger:</p> <ul style="list-style-type: none"> <li>▶ Elektriske tilslutninger skal udføres af en uddannet elektriker.</li> <li>▶ Sikr dig, at elektroinstallationen fra bygherrens side overholder de gældende sikkerheds- og beskyttelsesbestemmelser.</li> <li>▶ Vær opmærksom på, at de nationale forskrifter for drift af elektriske apparater overholdes.</li> <li>▶ Montér industriport-motorens styring, så den kan ses fra porten.</li> <li>▶ Afbryd spændingsforsyningen til anlægget inden elektrisk arbejde og sikr det mod utilsigtet genindkobling.</li> </ul>

<b>BEMÆRK!</b>
<p><b>Ekstern spænding</b></p> <p>Ekstern spænding i styringens tilslutningsterminaler medfører, at elektronikken ødelægges.</p> <ul style="list-style-type: none"> <li>▶ Tilslut ikke ekstern spænding (fx netspænding) til styringens tilslutningsterminaler.</li> </ul>

<b>BEMÆRK!</b>
<p><b>Trækkræfter på elektriske ledninger</b></p> <p>Trækkræfter på elektriske ledninger kan føre til ødelæggelse af elektronikken.</p> <ul style="list-style-type: none"> <li>▶ Træk aldrig i de elektriske konstruktionsdeles forbindelsesledninger.</li> </ul>

#### BEMÆRK:

Det medfølgende monteringsmateriale er godkendt til følgende underlag.

Betonskruer:	Monteringsunderlag revnet beton C20 / 25, ikke-revnet beton C20 / 25 og murværk.
Langskaftede dyvler:	Monteringsunderlag beton C12 / 15, porebeton, massiv kalksten og massive mursten.
Metriske skruer:	Monteringsunderlag stål, vær opmærksom på egnet materialetykkelse og stabilitet.

Til andre underlag skal der vælges egnet monteringsmateriale (ikke omfattet af leverancen).

#### OBS:


Overhold de vedlagte vejledninger til installation af de elektriske tilslutninger og montering af yderligere elektriske betjeningslementer.





#### Montering af porten:

1. Sørg for at afsikre byggepladsen.
2. Kontrollér betingelserne og målene for portmonteringen.
3. Kontrollér underlagets kvalitet med henblik på stabilitet.
4. Vælg egnede fastgørelsesmidler.

5. Pak porten ud og kontrollér den med henblik på beskadigelser.
6. Hvis porten leveres af et speditonsfirma: Meld straks eventuelle beskadigelser.
7. Kontrollér, om leveringen er fuldstændig.
8. Bortskaf emballagematerialet.
9. Montér porten som vist i billeddelen.

### 4 Ibrugtagning

 <b>ADVARSEL</b>
<p><b>Port med fejl</b></p> <p>Hvis porten har en fejl, er der risiko for, at personer kan komme til skade og beskadigelse af genstande.</p> <ul style="list-style-type: none"> <li>▶ Tag først porten i drift, når den befinder sig i en fejlfri tilstand.</li> </ul>

 <b>ADVARSEL</b>	
  	<p><b>Portbevægelser</b></p> <p>Ved portbevægelser er der risiko for, at personer kan komme til skade og beskadigelse af genstande.</p> <ul style="list-style-type: none"> <li>▶ Vær opmærksom på, at der hverken befinder sig personer eller genstande i portens lukkeområde ved portbetjening.</li> <li>▶ Løft aldrig genstande eller personer med porten.</li> <li>▶ Rør ikke ved køreskinnen, indløbet, kæden, tandhjulet eller styrerullen, når porten er i drift.</li> </ul>

#### 4.1 Indstilling af yderstillinger

Portens yderstillinger indstilles på elskabet.

#### OBS:

Overhold vejledningen til motoren og styringen.

##### 4.1.1 Yderstilling NED

<b>BEMÆRK!</b>
<p><b>Overskridelse af yderstillingen NED</b></p> <p>Ved overskridelse af yderstillingen <i>NED</i> er der fare for, at kontaktskinneprofilen trykkes sammen. Derved udsættes kontaktskinneprofilens funktion.</p> <ul style="list-style-type: none"> <li>▶ Overskridelse af yderstillingen <i>NED</i>.</li> </ul>

- ▶ Indstil yderstillingen *NED*, så bundprofilen berører gulvet helt. Hvis køreskinnen har foring eller gulvet er ujævnt, skal yderstillingen være lig med niveauet for sidedelens underkant.

#### 4.1.2 Yderstilling OP

### BEMÆRK!

#### Overskridelse af yderstillingen OP

Ved overskridelse af yderstillingen *OP* er der fare for, at portbladet rutsjer ud af køreskinnerne og bliver beskadiget.

- ▶ Overskridelse af yderstillingen *OP*.

- ▶ Indstil yderstillingen *OP*, så afstanden til bundprofilens underkant svarer til målet porthøjde.

#### 4.2 Prøvekørsel

1. Afprøv funktionssikkerheden iht. godkendelses- / afleveringsprotokollen, når monteringen er afsluttet.
2. Bekræft med dato og underskrift den vellykkede prøvekørsel i kontrolprotokollen.
3. Overdrag den samlede portdokumentation til ejeren eller brugeren af portanlægget.

## 5 Drift

### ⚠ ADVARSEL



#### Portbevægelser

Ved portbevægelser er der risiko for, at personer kan komme til skade og beskadigelse af genstande.



- ▶ Vær opmærksom på, at der hverken befinder sig personer eller genstande i portens lukkeområde ved portbetjening.



- ▶ Fastslå inden ind- eller udkørslen, om porten nu også er helt åben. Portanlægget må først passeres, når porten står helt stille.
- ▶ Inden du kører ind eller ud, skal du sikre dig at gennemkørselshøjden er tilstrækkelig.
- ▶ Løft aldrig genstande eller personer med porten.
- ▶ Rør aldrig ved køreskinnen eller indløbet, når porten er i drift.

### BEMÆRK!

#### Nødbetjeningslementer

Hvis nødbetjeningslementerne benyttes for ofte, er der fare for, at de beskadiges. Desuden bortfalder portens garanti.

- ▶ Brug kun nødbetjeningslementerne ved strømsvigt eller reparationsarbejder.

### BEMÆRK!

#### Aggressive materialer, vind og varme

Porten kan beskadiges pga. aggressive materialer, vind og varme.

- ▶ Beskyt porten mod aggressive og ætsende stoffer som fx:
  - salpeterreaktioner fra sten eller mørtel
  - cement
  - gips
  - syrer
  - lud
  - vejsalt
  - aggressivt virkende maling
  - aggressivt virkende tætningsmaterialer
- ▶ Undgå temperaturer over 50° C i nærheden af porten.

#### 5.1 Instrueret personale

Portanlægget må kun betjenes af instrueret personale. En person regnes for at være instrueret (DS / EN 12453), når han / hun er blevet instrueret i risikofri betjening af porten og har fået tilladelse af ejeren til at betjene portanlægget.

#### 5.2 Normal slitage

Konstruktionen er lavet iht. den nyeste teknik. Tryksteder og slitage er betinget af konstruktionsmåden og er uundgåelige.

#### 5.3 Nødstop

- ▶ Afbryd strømmen til styringen i nødsituationer ved at aktivere hovedafbryderen, trække netstikket ud eller (hvis der findes en sådan) ved at aktivere **NØDSTOP**-knappen.

## 6 Kontrol og service

### ⚠ ADVARSEL

#### Port, der ikke er blevet vedligeholdt

Hvis porten ikke kontrolleres og vedligeholdes regelmæssigt, er der fare for tilskadekomst og beskadigelser. Desuden bortfalder garantien.





- ▶ Kontrollér og vedligehold porten regelmæssigt som beskrevet i vejledningen, eller lad den bemyndigede kundeserviceafdeling gøre det.



### ⚠ FARE

#### Netspænding!

Der er risiko for et dødeligt strømstød ved kontakt med netspændingen.

- ▶ Afbryd spændingsforsyningen til anlægget inden elektrisk arbejde og sikr det mod utilsigtet genindkobling.

 <b>ADVARSEL</b>	
	<p><b>Portbevægelser</b></p> <p>Hvis porten aktiveres under kontrol- eller vedligeholdelsesarbejde, er der fare for ulykker og beskadigelser.</p> <ul style="list-style-type: none"> <li>▶ Afbryd spændingsforsyningen til anlægget inden elektrisk arbejde og sikr det mod utilsigtet genindkobling.</li> <li>▶ Sæt håndtaget / grebet til nødåbningen ud af drift, hvis der er et sådant håndtag / greb.</li> </ul>
	
	

 <b>ADVARSEL</b>	
	<p><b>Dele, der falder ned</b></p> <p>Ved afmonteringen kan dele falde ned og beskadige personer eller genstande.</p>
	<p><b>Beklædning (ekstraudstyr)</b></p> <ul style="list-style-type: none"> <li>▶ Fastgør beklædningen (fx med en gaffeltruck), inden du afmonterer den.</li> </ul>
	<p><b>Aksel</b></p> <ul style="list-style-type: none"> <li>▶ Fastgør akslen (fx med en gaffeltruck), inden du afmonterer portmotoren.</li> </ul>

Kontrollér og vedligehold kun porten, hvis du er en sagkyndig person (kompetent person iht. DS / EN 12635). Dvs. at du har en egnet uddannelse, kvalificeret viden og praktisk erfaring, der sætter dig i stand til at udføre en korrekt og sikker kontrol og service.

Overhold alle gældende arbejdssikkerhedsforskrifter.

Vi anbefaler at lade producentens serviceafdeling tage sig af kontrol og service.

Den hurtigkørende port er servicevenlig. Under normale driftsbetingelser er alle lejedele, inkl. gear, smurt for hele levetiden og er servicefri.

## 6.1 Serviceintervaller

Kontrol og service skal foretages en gang om året iht. retningslinjerne for motortrukne vinduer, døre og porte (ASR A1.7).

Afhængigt af portstørrelsen og de årlige lastcyklusser anbefaler vi følgende serviceintervaller:

### Ved meget høje lastcyklusser (> 50000 pr. år):

Halvårlig service af funktionselementerne:

- Elektro-motor og bremse
- Alle skrueforbindelser
- Yderstillingsfrakobling / omkobling krybehastighed
- Styring / impulsgeber

### Ved ringere lastcyklusser:

Årlig service i forbindelse med den foreskrevne kontrol i henhold til forskrifterne for forebyggelse af ulykker (ASR A1.7).

- ▶ Kontrollér D-udstyret (fotocelle / fotocelleanlæg) for korrekt funktion hver 6. måned.

## 6.2 Sliddele

Såfremt sliddelene forefindes, gælder de følgende maks. værdier for sliddelens cyklusser eller belastningsskift:

Sliddele	Cyklusser	Tidsrum
Motor (60 % tilkoblingsvarighed)	500 000	2 år
indtil 30.04.2017 Motor (rørmotor; 60 % tilkoblingsvarighed)	350 000	2 år
fra 01.05.2017 / V 4015 SEL Alu-R Motor (rørmotor; 60 % tilkoblingsvarighed) <sup>1)</sup>	700 000	2 år
Bremse	250 000	2 år
Batteri til kontakt til trådløst crash	- / -	2 år
Energikæde med kabel	250 000	2 år
Fjedre	100 000	2 år
Tekstilseler	100 000	2 år
Fladremme (kontravægt, lameller)	500 000	2 år
Køreruller	100 000	2 år
Nødstrømsbatteri	- / -	1,5 år
Nødstrømsbatteri (RW-porte)	- / -	1 år
Hængsler	100 000	2 år
Tætninger / tætningslister	150 000	2 år
Portdug (V 3515 Iso + V 4015 Iso L)	150 000	2 år
Fotocelleanlæg / fotocelle	- / -	2 år

1) Det er tvungende nødvendigt at udskifte komponenterne på ovennævnte cyklusser.

## 7 Styring

Styringen færdiggøres til porten iht. ordren. Det gyldige eldiagram og software-beskrivelsen finder du i elskabet.

- ▶ Eldiagrammet og software-beskrivelsen skal vedlægges denne vejledning.

Hvert elskab har et nummer.

- ▶ Oplys altid dette nummer, hvis du ringer til kundeserviceafdelingen med spørgsmål osv.

## 8 Fejl og fejlafhjælpning

I tilfælde af fejl bedes du henvende dig til kundeserviceafdelingen.

### Motorydelse

Driftsspændingen skal udgøre 230 V ± 5 % eller 400 V ± 5 %. Ved større afvigelser kan der opstå problemer med motorydelsen.

## 9 Rengøring og pleje

Brug varmt vand med et neutralt, ikke-skurende rengøringsmiddel (opvaskemiddel, pH-værdi 7, Isopropanol 99,9 %).

Benyt udelukkende bløde stofklude eller vaskeskind. Skyl snavs- og støvpartikler af med klart vand.

## 10 Udvidelse og ombygning

### ADVARSEL

#### Uegnede komponenter

Uegnede komponenter kan overbelaste portkonstruktionen. Det kan føre til livsfarlige kvæstelser.

- ▶ Benyt udelukkende komponenter, der er godkendt af producenten.

Portanlægget må kun udvides eller ændres med tilladelse fra producenten.

Garantiforpligtelserne og produktansvaret bortfalder, hvis du foretager konstruktionsmæssige ændringer, uden at producenten forinden har givet sit samtykke.

## 11 Afmontering og bortskaffelse

### ADVARSEL



#### Dele, der falder ned

Ved afmonteringen kan dele falde ned og beskadige personer eller genstande.

#### Beklædning (ekstraudstyr)

- ▶ Fastgør beklædningen (fx med en gaffeltruck), inden du afmonterer den.

#### Aksel

- ▶ Fastgør akslen (fx med en gaffeltruck), inden du afmonterer portmotoren.

Afmonter kun porten, hvis du er en sagkyndig person (kompetent person iht. DS/EN 12635). Dvs. at du har en egnet uddannelse, kvalificeret viden og praktisk erfaring, der sætter dig i stand til at udføre en korrekt og sikker afmontering.

Overhold alle gældende arbejdssikkerhedsforskrifter ved afmonteringen.

#### Afmontering og bortskaffelse af porten:

1. Åbn porten helt.
2. Rul porten forsigtigt op med manuel nøddrift.
3. Vikl stabilt tape (fx pakketape) flere gange rundt om det oprullede portblad, så det ikke kan rulle ned igen.
4. Kør en gaffeltruck med en velegnet palle eller et bærestel ind under akslen, så akslen ligger på pallen eller bærestellet.
5. Løsn lejets og motorens fastgørelser.
6. Løft akslen eller overdelen sammen med portmotoren fra konsollerne.

#### FORSIGTIG

#### Motoren kan glide af oprulningsakslens tap

- ▶ Hold akslen eller overdelen vandret ved nedsænkningen.
7. Afmonter hhv. køreskinnerne eller sidedelene og konsollerne.
  8. Adskil porten i enkeltdele og bortskaf dem fagkyndigt.

## Turinys

<b>1</b>	<b>Apie šią instrukciją .....</b>	<b>39</b>
1.1	Papildomi dokumentai.....	39
1.2	Naudojamos įspėjamosios nuorodos .....	39
1.3	Naudojami simboliai .....	40
1.4	Naudojami trumpiniai .....	40
<b>2</b>	<b>⚠ Saugos nurodymai .....</b>	<b>40</b>
2.1	Naudojimas pagal paskirtį .....	40
2.2	Personalo kvalifikacija .....	41
2.3	Standartai ir reikalavimai .....	41
2.4	Bendrieji saugos nurodymai .....	41
2.5	Eksploatavimo saugos nurodymai.....	41
2.6	Remonto ir sutrikimų šalinimo saugos nuorodos.....	41
<b>3</b>	<b>Montavimas.....</b>	<b>42</b>
<b>4</b>	<b>Eksploatacijos pradžia.....</b>	<b>42</b>
4.1	Galinių padėčių nustatymas .....	42
4.2	Bandomoji eiga.....	43
<b>5</b>	<b>Eksploatacija.....</b>	<b>43</b>
5.1	Instruktuotas personalas .....	43
5.2	Normalus susidėvėjimas.....	43
5.3	Avarinis išjungimas .....	43
<b>6</b>	<b>Tikrinimas ir techninė priežiūra.....</b>	<b>43</b>
6.1	Techninės priežiūros intervalai.....	44
6.2	Greitai susidėvinčios dalys .....	44
<b>7</b>	<b>Valdiklis.....</b>	<b>44</b>
<b>8</b>	<b>Sutrikimai ir nesklandumų šalinimas.....</b>	<b>44</b>
<b>9</b>	<b>Valymas ir priežiūra .....</b>	<b>44</b>
<b>10</b>	<b>Išplėtimas ir rekonstravimas .....</b>	<b>45</b>
<b>11</b>	<b>Išmontavimas ir utilizavimas .....</b>	<b>45</b>



.....60

Brangus Pirkėjau,  
džiaugiamės, kad Jūs nusprendėte pasirinkti kokybišką mūsų bendrovėje pagamintą gaminį.

## 1 Apie šią instrukciją

Ši instrukcija dalinama į tekstinę dalį ir paveikslėlius. Paveikslėlius rasite šalia tekstinės dalies.

Originalios naudojimo instrukcijos vertimas. Instrukciją perskaitykite atidžiai ir iki galo – joje pateikiama svarbi informacija apie gaminį. Atsižvelkite į nurodymus ir ypač laikykitės saugos bei įspėjamųjų nurodymų.

Instrukciją saugokite kruopščiai ir užtikrinkite, kad gaminio naudotojas ją visada turėtų po ranka.

Už žalą, patirtą nesilaikant naudojimo instrukcijos ir jos nuorodų arba naudojant pramoninius vartus ne pagal paskirtį, gamintojas neatsako.

Tinkamas pramoninių vartų valdymas ir rūpestinga techninė priežiūra turi didžiąją įtaką jų našumui bei veikimui. Valdymo klaidos ir nepakankama techninė priežiūra sukelia gedimus, kurių galima būtų išvengti. Patenkinamą ir ilgalaikę eksploatacijos saugą galima užtikrinti tik kvalifikuotai valdant bei rūpestingai techniškai prižiūrint.

Klientų aptarnavimo tarnyba mielai atsakys į Jūsų klausimus. Kreipkitės į ją, jei susipažinę su šia naudojimo instrukcija, dar turėsite klausimų.

### 1.1 Papildomi dokumentai

Priklausomai nuo užsakytų priedų, pristatomos ir kitos instrukcijos, pvz., vartų valdiklio instrukcija. Perskaitykite šias instrukcijas taip pat kruopščiai ir iki galo. Atsižvelkite į nuorodas ir ypač laikykitės šių instrukcijų saugos bei įspėjamųjų nuorodų.

### 1.2 Naudojamos įspėjamosios nuorodos



Bendrieji įspėjamieji ženklai, įspėjantys apie pavojų, dėl kurio galima patirti **sužalojimų** arba **žūti**. Tekstinėje dalyje bendrieji įspėjamieji ženklai aprašomi kartu su naudojama saugos nuo aprašomo pavojaus įranga. Paveikslėliuose nurodomi papildomi duomenys apie tekstinėje dalyje pateikiamus paaiškinimus.

#### ⚠ PAVOJUS!

Įspėja apie pavojų, dėl kurio galima patirti sunkius sužalojimų arba žūti.

#### ⚠ ĮSPĖJIMAS!

Įspėja apie pavojų, dėl kurio galima patirti sunkius sužalojimų arba žūti.



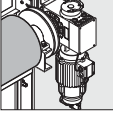
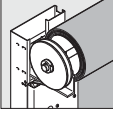


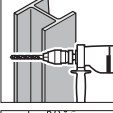

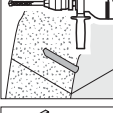
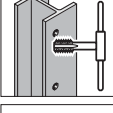
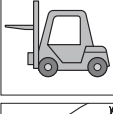

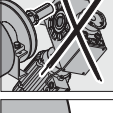
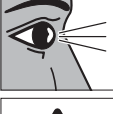

#### ⚠ ATSARGIAI!







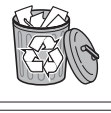



Nurodo pavojų, dėl kurio galima patirti lengvų arba vidutinių sužalojimų.

#### DĖMESIO!

Nurodo pavojų, dėl kurio gali būti padaryta **žalos** arba **gaminys gali sugesti**.

### 1.3 Naudojami simboliai

	Svarbi nuoroda norint išvengti žalos asmenims arba daiktams
	Įspėjimas apie pavojingą elektros įtampą
	Pavaros pusė
	Guolio pusė
	Tvirtai įsukite varžtus
	Atskirai užsakomos detalės
	Plieno gręžimas
	Betono gręžimas
	Mūro gręžimas
	Išpjauti sriegius
	Naudoti tinkamas kėlimo priemones (pvz., krautuva, kraną)
	Pašalinti likučius
	Pritvirtinti pavarą
	Patikrinti
	Suspaudimo pavojus

	Nukirtimo pavojus
	Smūgio pavojus
	Įtraukimo pavojus judant vartams
	Sutepti
	Tinkamas išdėstymas arba veikla
	Neleistinas išdėstymas arba veikla
	Nuimti ir utilizuoti konstrukcinį elementą arba pakuotę
	Žr. tekstinę dalį
	Žr. paveikslėlius
	Žr. atskirą valdiklio arba papildomų elektrinių valdymo elementų montavimo instrukciją

### 1.4 Naudojami trumpiniai

EN	Europos standartas
OFF	Viršutinis kraštas – užbaigtos grindys
LDB	Naudingasis pravažiavimo plotis
LDH	Naudingasis pravažiavimo aukštis

## 2 Saugos nurodymai

Naudojant pramoninius vartus tvarkingai ir pagal paskirtį, jie yra saugūs naudoti. Jei pramoniniai vartai naudojami netinkamai arba ne pagal paskirtį, jie gali kelti pavojų. Mes norime atkreipti Jūsų dėmesį į saugos nuorodas atskiruose skyriuose.

### 2.1 Naudojimas pagal paskirtį

Pramoniniai vartai naudojami praėjimo angoms uždaryti, patalpoms saugiai užrakinti, mašinoms apsaugoti, siekiant taupyti energijos išlaidas, pagerinti klimatą patalpose ir pagreitinti medžiagų srautą.

Naudojimas pagal paskirtį – tai taip pat ir šios instrukcijos bei patikros ir techninės priežiūros sąlygų laikymasis.

Naudojimas kitais tikslais laikomas ne pagal paskirtį. Už su tuo susijusią žalą gamintojas / tiekėjas neatsako. Rizika tenka tik naudotojui.

## 2.2 Personalo kvalifikacija

Pramoninius vartus leidžiama įrengti, eksploatuoti ir techniškai prižiūrėti tik kvalifikuotam bei instruktui personalui.

Prieš pradėdamas dirbti, personalas, įgaliotas atlikti darbus su pramoniniais vartais, privalo perskaityti šią instrukciją, ypač 2 skyrių.

Nustatykite aiškias valdymo, techninės priežiūros ir remonto kompetencijas, kad ties saugos aspektu nebūtų jokių neaiškių kompetencijų.

## 2.3 Standartai ir reikalavimai

Laikykitės toliau pateikiamų Europos Sąjungoje galiojančių standartų ir direktyvų bei atskiroje šalyje galiojančių saugos taisyklių, standartų ir reikalavimų:

### Europos standartai

EN 12445	Vartai. Naudojimo sauga, mechanizuoti vartai. Bandymų metodas
EN 12453	Vartai. Naudojimo sauga, mechanizuoti vartai: reikalavimai
EN 12604	Vartai. Mechaninė dalis. Reikalavimai
EN 12978	Vartai. Mechanizuotų vartų saugos įranga: reikalavimai ir bandymų metodai
EN 60335-1	Elektros prietaisų, naudojamų buityje ir panašiais tikslais, sauga. 1 dalis: bendrieji reikalavimai
EN 61508	Su sauga susijusių elektrinių / elektroninių / programuojamų elektroninių sistemų funkcinė sauga

### Vokietijos elektrotechnikų sąjungos nuostatai

VDE 0113	Elektros įranga su elektroniniais aparatais
VDE 0700	Elektroninių prietaisų, naudojamų buityje ir panašiais tikslais, sauga

### Nelaimingų atsitikimų prevencijos taisyklės

BGV A3	Elektros įranga ir elektriniai aparatai
ASR A1.7	Darbo vietų techninės taisyklės

## 2.4 Bendrieji saugos nurodymai

- Laikykitės bendrai galiojančių įstatymų ir kitų privalomų nelaimingų atsitikimų prevencijos ir aplinkos apsaugos taisyklių, šaliai būdingų reikalavimų ir kitų pripažintų specializuotų technikos taisyklių, susijusių su sauga ir tinkamu darbu. Prieš darbų pradžią pagal šias taisykles ir reikalavimus instrukuokite personalą.
- Šia instrukciją visada laikykite pramoninių vartų naudojimo vietoje, po ranka.
- Be išankstinio tiekėjo leidimo neatlikite pramoninių vartų pakeitimų, pristatymų ir rekonstrukcijų, galinčių turėti įtakos saugai.
- Nekeiskite programuojamų valdymo sistemų programinės įrangos.

- Gesintuvų buvimo vietą ir valdymą pažymėkite atitinkamais nurodomaisiais ženklais. Laikykitės privalomų gaisro gesinimo ir pranešimo apie gaisrą taisyklių.
- Visus darbus su pramoniniais vartais, pvz., techninės priežiūros, valymo ir kontrolės darbus, atlikite tik tada, kai vartai nejuda.
- Elektros prijungimo darbus leiskite atlikti tik kvalifikuotam elektrikui.
- Prieš atlikdami bet kokius darbus su elektra, nuo sistemos atjunkite įtampą ir apsaugokite ją nuo nesankcionuoto įjungimo. Jei yra, išaktyvinkite avarinės angos svirtį.

## 2.5 Eksploatavimo saugos nurodymai

- Prieš aktyvindami vartus, įsitikinkite, kad vartų judėjimo srityje nėra žmonių ar daiktų.
- Eksploatuodami vartus, nesilieskite prie kreipiamosios ar įėjimo vietos.
- Aktyvinkite pramoninius vartus tik tada, kai jie yra saugūs ir veikia. Visi apsauginiai ir saugos įtaisai, pvz., nuimami apsauginiai įtaisai ir avarinio išjungimo įtaisai, turi būti ir veikti.
- Nekeiskite ir neišjunkite saugos įtaisų.

## 2.6 Remonto ir sutrikimų šalinimo saugos nuorodos

- Atlikite 6 skyriuje nurodytus patikros ir techninės priežiūros darbus. Laikykitės techninės priežiūros darbų atlikimo intervalų ir atkreipkite dėmesį į dalių / dalių įrangos keitimo informaciją.
- Remonto ir sutrikimų šalinimo darbus leiskite atlikti tik kvalifikuotam personalui.
- Naudokite tik tas atsargines dalis, kurios atitiktų gamintojo nustatytus techninius reikalavimus. Šiuos reikalavimus visada atitinka originalios atsarginės dalys.
- Pramoninių vartų suvirinimo, degimo ir šlifavimo darbus atlikite tik tuomet, jei tam yra aiškus leidimas. Gali kilti, pvz., gaisro ir sprogo pavojus! Prieš atlikdami pramoninių vartų suvirinimo, degimo ir šlifavimo darbus, dėl kylančio sprogo pavojaus nuo vartų ir jų aplinkoje pašalinkite dulkes ir degias medžiagas bei pasirūpinkite pakankama ventilacija.
- Prieš išmontuodami pavarą, pavaros pusėje užfiksuokite veleną (pvz., šakiniu krautu).

### 3 Montavimas

#### ⚠ PAVOJUS!

##### Tinklo įtampa!

Kontakto su tinklo įtampa metu kyla mirtino srovės smūgio pavojus. Todėl laikykitės šių nurodymų:

- ▶ prijungti elektrą leiskite tik elektros specialistui;
- ▶ įsitinkite, kad elektros instaliacija montavimo vietoje atitinka galiojančias apsaugos nuostatas;
- ▶ atkreipkite dėmesį, kad būtų laikomasi elektros prietaisų eksploatavimo taisyklių;
- ▶ pramoninių vartų valdiklį sumontuokite, kad jis matytųsi nuo vartų;
- ▶ prieš atlikdami bet kokius darbus su elektra, nuo įrenginio atjunkite įtampą ir apsaugokite jį nuo nesankcionuoto įjungimo.

#### DĖMESIO!

##### Pašalinė įtampa

Išorinė įtampa jungiamuosiuose valdiklio gnybtuose gali sugadinti elektroniką.

- ▶ Prie jungiamųjų valdiklio gnybtų nejunkite pašalinės įtampos (pvz., tinklo įtampos).

#### DĖMESIO!

##### Traukos jėgos ant elektros laidų

Traukos jėgos ant elektros laidų gali sugadinti elektroniką.

- ▶ Niekada netampykite elektrinių konstrukcinių elementų jungiamųjų laidų.

#### NURODYMAS.

Pristatytą tvirtinimo medžiagą galima naudoti toliau nurodytiems pagrindams.

Tvirtinimo prie betono varžtai:	montavimo pagrindas – įtemptas betonas C20 / 25, suspaustas betonas C20 / 25 ir mūras.
Kaiščiai ilgu kotu:	montavimo pagrindas – betonas C12 / 15, akytasis betonas, silikatinė pilnavidurė plyta ir pilnavidurė plyta.
Metriniai varžtai:	montavimo pagrindas – plienas; atkreipkite dėmesį į tinkamą medžiagos storį ir tvirtumą.

Jei pagrindas skiriasi, reikia parinkti tinkamą tvirtinimo medžiagą (tiekiamame komplekte nėra).

#### NURODYMAI:

laikykitės kitų priedamų elektros jungčių įrengimo ir papildomų elektrinių valdymo elementų montavimo instrukcijų.

#### Norėdami sumontuoti vartus:

1. Atitverkite statybvieta.
2. Patikrinkite vartų montavimo sąlygas ir konstrukcinius matmenis.
3. Patikrinkite, ar pakankamai tvirtas pagrindas.
4. Pasirinkite tinkamas tvirtinimo priemones.
5. Išpakuokite vartus ir patikrinkite, ar jie nepažeisti.
6. Jei vartus pristato ekspedidorių bendrovė: iš karto praneškite apie galimus pažeidimus.
7. Patikrinkite siuntos komplektaciją.
8. Utilizuokite pakuotę.

9. Sumontuokite vartus, kaip pavaizduota paveikslėliuose.

### 4 Eksploatacijos pradžia

#### ⚠ ĮSPĖJIMAS!

##### Sugadinti vartai

Dėl sugadintų vartų gali būti sužeisti asmenys arba sugadinti daiktai.

- ▶ Vartus pradėkite eksploatuoti tik tada, jei jie tvarkingai veikia.

#### ⚠ ĮSPĖJIMAS!



##### Vartų judesiai

Judant vartams, gali būti sužeisti asmenys arba sugadinti daiktai.



- ▶ Eksploatuodami vartus, įsitinkite, kad vartų uždarymo zonoje nėra žmonių arba daiktų.



- ▶ Niekada nekelkite daiktų ir / arba žmonių kartu su vartais.

- ▶ Eksploatuodami vartus, neikiškite rankų į kreipiamąją, jėjimo vietą, grandinę, krumpliaratį ar kreipiamąjį ritinėlį.

#### 4.1 Galinių padėčių nustatymas

Galines vartų padėties nustatomos skirstomojoje spintoje.

#### NURODYMAI:

laikykitės pavaros ir valdiklio naudojimo instrukcijos.

#### 4.1.1 Galinė padėtis "Vartai uždaryti"

#### DĖMESIO!

##### Galinės padėties "Vartai uždaryti" ribų peržengimas

Peržengus galinę padėtį "Vartai uždaryti", kyla pavojus, kad bus nustumtas kontaktinis bėgelių profilis. Tuomet kontaktinis bėgelių profilis neveiks.

- ▶ Neperženkite galinės padėties "Vartai uždaryti" ribų.

- ▶ Galinę padėtį "Vartai uždaryti" nustatykite taip, kad užbaiginis profilis visiškai liestų žemę. Jei po kreipiamąja yra pamušalas arba pagrindas nėra lygus, kaip galinę padėtį pasirinkite apatinę šoninės dalies briauną.

#### 4.1.2 Galinė padėtis "Vartai atidaryti"

#### DĖMESIO!

##### Galinės padėties "Vartai atidaryti" ribų peržengimas

Peržengus galinę padėtį "Vartai atidaryti", kyla pavojus, kad vartų apkala arba šarvas išslys iš kreipiamųjų bėgelių ir bus pažeistas.





- ▶ Neperženkite galinės padėties "Vartai atidaryti" ribų.

- ▶ Nustatykite galinę padėtį *“Vartai atidaryti”* taip, kad atstumas iki apatinės užbaiginio profilio briaunos atitiktų vartų aukščio matmenį.

#### 4.2 Bandomoji eiga

1. Sumontavę vartus, pagal priėmimo-perdavimo protokolą patikrinkite, ar jie saugiai veikia.
2. Patvirtinkite sėkmingą bandymų eigą tikrinimų knygoje, nurodykite datą ir pasirašykite.
3. Perduokite visą vartų dokumentaciją vartų sistemos savininkui arba eksploatuotojui.

## 5 Eksploatacija

 <b>ĮSPĖJIMAS!</b>	
	<p><b>Vartų judesiai</b> Judant vartams, gali būti sužeisti asmenys arba sugadinti daiktai.</p> <ul style="list-style-type: none"> <li>▶ Eksploatuodami vartus, įsitikinkite, kad vartų uždarymo zonoje nėra žmonių arba daiktų.</li> </ul>
	<ul style="list-style-type: none"> <li>▶ Prieš įvažiuodami ar išvažiuodami įsitikinkite, kad vartai yra iki galo atidaryti. Pro vartus galima pravažiuoti arba praeiti tik tada, kai jie nebejuda.</li> </ul>
	<ul style="list-style-type: none"> <li>▶ Prieš įvažiuodami ar išvažiuodami įsitikinkite, kad būtų pakankamas pravažiavimo aukštis.</li> <li>▶ Niekada nekelkite daiktų ir / arba žmonių kartu su vartais.</li> <li>▶ Eksploatuodami vartus, nesilieskite prie krepiamosios ar įėjimo vietos.</li> </ul>

<b>DĖMESIO!</b>
<p><b>Avarinio valdymo įrenginiai</b> Per dažnai naudojant avarinio valdymo įrenginius, jie gali būti pažeisti. Be to, vartams nebetaikoma garantija.</p> <ul style="list-style-type: none"> <li>▶ Naudokite avarinio valdymo įrenginius tik nutrūkus elektros srovės tiekimui arba atlikdami remonto darbus.</li> </ul>

<b>DĖMESIO!</b>
<p><b>Agresyvios terpės, vėjas ir karštis</b> Dėl agresyvių terpių, vėjo ir karščio gali būti pažeisti vartai.</p> <ul style="list-style-type: none"> <li>▶ Saugokite vartus nuo agresyvių terpių: <ul style="list-style-type: none"> <li>– salietros iš akmens arba kalkių</li> <li>– cemento</li> <li>– gipso</li> <li>– rūgščių</li> <li>– šarmų</li> <li>– barstomosios druskos</li> <li>– agresyviai veikiančių dažų</li> <li>– agresyviai veikiančių sandarinamųjų medžiagų</li> </ul> </li> <li>▶ Netoli vartų venkite aukštesnės nei 50° C temperatūros.</li> </ul>

#### 5.1 Instruktuotas personalas

Vartus gali valdyti tik instruktuoti asmenys. Asmuo laikomas instruktuoju (EN 12453), jei jis buvo instruktuoju, kaip nepavojingai valdyti vartus, ir iš vartų sistemos savininko gavo leidimą ją naudoti.


#### 5.2 Normalus susidėvėjimas


Greitaeigių vartų konstrukcija atitinka šiuolaikinės technikos reikalavimus. Įspaudimai ir susidėvėjimas atsiranda dėl konstrukcijos ir todėl yra neišvengiami.





#### 5.3 Avarinis išjungimas



- ▶ Avarinėse situacijose aktyvinkite pagrindinį jungiklį, ištraukite tinklo šakutę arba, jei yra, paspauskite raudoną **avarinio išjungimo** mygtuką ir atjunkite nuo valdiklio srovės tiekimą

## 6 Tikrinimas ir techninė priežiūra

 <b>ĮSPĖJIMAS!</b>
<p><b>Techniškai neprižiūrėti vartai</b> Jei vartai reguliariai netikrinami ir techniškai neprižiūrimi, tuomet kyla susižalojimų ir pažeidimų pavojus. Be to, prarandama teisė į garantiją.</p> <ul style="list-style-type: none"> <li>▶ Reguliariai tikrinkite ir techniškai prižiūrėkite vartus, kaip aprašyta šioje instrukcijoje, arba patikėkite tai gamintojo techninės priežiūros tarnybai.</li> </ul>

 <b>PAVOJUS!</b>
<p><b>Tinklo įtampa!</b> Kontakto su tinklo įtampa metu kyla mirtino srovės smūgio pavojus.</p> <ul style="list-style-type: none"> <li>▶ Prieš atlikdami bet kokius darbus su elektra, nuo įrenginio atjunkite įtampą ir apsaugokite jį nuo nesankcionuoto įjungimo.</li> </ul>

 <b>ĮSPĖJIMAS!</b>	
	<p><b>Vartų judesiai</b> Jei, atliekant tikrinimo ar techninės priežiūros darbus, vartai aktyvinami, kyla susižalojimų ir pažeidimų pavojus.</p> <ul style="list-style-type: none"> <li>▶ Prieš atlikdami bet kokius darbus su elektra, nuo sistemos atjunkite įtampą ir apsaugokite ją nuo nesankcionuoto įjungimo.</li> <li>▶ Jei yra, išjunkite avarinės angos svirtį / rankeną.</li> </ul>
	
	

 <b>ĮSPĖJIMAS!</b>	
	<b>Žemyn krentančios dalys</b> Išmontuojant dalys gali nukristi ir sužaloti žmones arba pažeisti daiktus.
	<b>Gaubtas (pasirinktis)</b> ▶ Prieš išmontuodami gaubtą (pvz., su šakiniu krautuvu), jį užfiksuokite.
	<b>Velenas</b> ▶ Prieš išmontuodami pavarą, užfiksuokite veleną (pvz., šakiniu krautuvu).

Atlikite vartų tikrinimo ir techninės priežiūros darbus patys tik tuomet, jei esate specialistas (kompetentingas asmuo pagal EN 12635). Tai reiškia, jog turite reikiamą išsilavinimą, pakankamai specialių žinių ir praktinės patirties, kad galėtumėte tinkamai ir saugiai atlikti tikrinimo ir techninės priežiūros darbus.

Laikykitės visų galiojančių darbų saugos reikalavimų.

Mes rekomenduojame tikrinimo ir techninės priežiūros darbus patikėti gamintojo techninės priežiūros tarnybai.

Greitaeigiems vartams techninės priežiūros daug nereikia. Esant normalioms eksploataavimo sąlygoms, visiems guoliams, įskaitant reduktorius, techninės priežiūros nereikia ir jei yra sutepti visos eksploatacijos trukmei.

## 6.1 Techninės priežiūros intervalai

Pagal mechanizuotų langų, durų ir vartų direktyvą (ASR A1.7) vartus privalu tikrinti ir techniškai prižiūrėti vieną kartą per metus, jei įmanoma, tokiais pačiais laiko intervalais.

Atsižvelgiant į vartų dydį ir metinius apkrovos ciklus, rekomenduojame tokius techninės priežiūros intervalus:

**Esant labai dideliame apkrovos ciklų skaičiui (> 50 000 per metus):**

Techninė funkcinė elementų priežiūra kas pusę metų:

- elektros pavaros ir stabdžių
- visų srieginių jungčių
- galinės padėties išjungimo / sulėtintosios eigos perjungimo įtaiso
- valdiklio / impulsų daviklio

**Esant mažesniame apkrovos ciklų skaičiui:**

Kasmetinė techninė priežiūra kartu su privaloma patikra pagal darbų saugos taisykles (pagal ASR A1.7).

- ▶ Kas pusę metų patikrinkite, kaip veikia D įrenginiai (šviesos barjeras / šviesos grotelės).

## 6.2 Greitai susidėvinčios dalys

Toliau nurodytoms greitai susidėvinčioms dalims galioja, jei yra, didžiausieji ciklai arba apkrovos pasikeitimai:

Greitai susidėvinčios dalys	Ciklai	Laiko-tarpis
Pavara (60 % ED)	500 000	2 metai
iki 2017-04-30 Pavara (vamzdinis variklis; 60 % ED)	350 000	2 metai
nuo 2017-05-01 / V 4015 SEL Alu-R Pavara (vamzdinis variklis; 60 % ED) *	700 000	2 metai

Greitai susidėvinčios dalys	Ciklai	Laiko-tarpis
Stabdys	250 000	2 metai
Akumuliatorių baterijos FunkCrash jungiklis	-/-	2 metai
Energijos grandinė su kabeliu	250 000	2 metai
Spyruoklės	100 000	2 metai
Medžiaginiai diržai	100 000	2 metai
Plokščias diržas (atsvaras, plokštelės)	500 000	2 metai
Atraminiai ratukai	100 000	2 metai
UPS baterija	-/-	1,5 metų
UPS baterija (RW vartai)	-/-	1 metai
Lankstai	100 000	2 metai
Sandarikliai / sandarinimo juostelės	150 000	2 metai
Vyriai (V 3515 Iso + V 4015 Iso L)	150 000	2 metai
Šviesos grotos / šviesos barjeras	-/-	2 metai

1) Būtina pakeisti dalis anksčiau paminėtų ciklų atveju.

## 7 Valdiklis

Valdiklis kiekvieniems vartams gaminamas pagal užsakymą. Atitinkamai galiojanti montavimo schema ir programinės įrangos aprašymas yra skirstomojoje spintoje.

- ▶ Montavimo schemą ir programinės įrangos aprašymą pridėkite prie šios instrukcijos.

Ant kiekvienos skirstomosios spintos yra numeris.

- ▶ Siųsdami užklausą, visada nurodykite šį numerį.

## 8 Sutrikimai ir nesklandumų šalinimas

Atsiradus sutrikimams, kreipkitės į klientų aptarnavimo tarnybą.

### Pavaros galingumas


Darbinė įtampa turi būti 230 V ± 5 % arba 400 V ± 5 %. Esant didesniems nuokrypiams, gali kilti problemų su pavaros galingumu.

## 9 Valymas ir priežiūra

Valyti naudokite šiltą vandenį ir neutralias, nešveičiančias valymo priemones (buitinį ploviklį, pH vertė 7, Isopropanol 99,9 %).

Valyti naudokite tik minkštas medžiagines šluostes arba langų valymo šluostes. Švairiu vandeniu nuplaukite purvą ir dulkes.



## 10 Išplėtimas ir rekonstravimas

 <b>ĮSPĖJIMAS!</b>
<p><b>Netinkami konstrukciniai elementai</b></p> <p>Netinkami konstrukciniai elementai gali perkrauti vartų konstrukciją. Dėl to galimi gyvybei pavojingi sužalojimai.</p> <ul style="list-style-type: none"> <li>▶ Naudokite tik gamintojo leistus naudoti konstrukcinius elementus.</li> </ul>

Vartų sistemą išplėskite arba rekonstruokite tik gavę gamintojo leidimą.

Garantija ir atsakomybė už gaminį nebegalioja, jei Jūs be gamintojo sutikimo atliekate konstrukcinius pakeitimus.

## 11 Išmontavimas ir utilizavimas

 <b>ĮSPĖJIMAS!</b>	
	<p><b>Žemyn krentančios dalys</b></p> <p>Išmontuojant dalys gali nukristi ir sužaloti žmones arba pažeisti daiktus.</p> <p><b>Gaubtas (pasirinktis)</b></p> <ul style="list-style-type: none"> <li>▶ Prieš išmontuodami gaubtą (pvz., su šakiniu krautuvu), jį užfiksuokite.</li> </ul> <p><b>Velenas</b></p> <ul style="list-style-type: none"> <li>▶ Prieš išmontuodami pavarą, užfiksuokite veleną (pvz., šakiniu krautuvu).</li> </ul>

Išmontuokite vartus tik tada, jei esate specialistas (kompetentingas asmuo pagal EN 12635). Tai reiškia, jog turite reikiamą išsilavinimą, pakankamai specialių žinių ir praktinės patirties, kad galėtumėte tinkamai ir saugiai išmontuoti vartus.

Išmontuodami vartus, laikykitės visų galiojančių darbų saugos reikalavimų.

### Norėdami išmontuoti ir utilizuoti vartus:

1. Iki galo atidarykite vartus.
2. Atsargiai pakelkite (susukite) vartus rankiniu būdu, įjungę avarinį režimą.
3. Kelis kartus tvirta lipnia juosta (pvz., pakavimo juosta) apvyniokite apkalą arba šarvą taip, kad vartai neišsivyniotų.
4. Krautuvą su tinkamu padėklų arba stelažu pakiškite po veleną taip, kad velenas priglustų prie padėklo arba stelažo.
5. Atlaisvinkite guolio ir pavaros tvirtinimo elementus.
6. Pakelkite veleną arba viršutinę dalį su pavara nuo gembų.

### ATSARGIAI!

#### Pavara gali nuslysti nuo vyniojimo veleno kakliuko.

- ▶ Nuleisdami veleną ir viršutinę dalį laikykite horizontaliai.
7. Išmontuokite krepiamuosius bėgelius ir šonines dalis bei gembes.
  8. Išardytų vartų sudedamąsias dalis išmeskite į šiam tikslui skirtas atliekų vietas.

## Sisukord

<b>1</b>	<b>Käesoleva juhendi kohta.....</b>	<b>46</b>
1.1	Kehtivad dokumendid .....	46
1.2	Kasutatud hoiatusmärgid .....	46
1.3	Kasutatud sümbolid .....	47
1.4	Kasutatud lühendid .....	47
<b>2</b>	<b>⚠ Ohutusjuhised .....</b>	<b>47</b>
2.1	Otstarbekohane kasutamine .....	48
2.2	Paigaldaja kvalifikatsioon .....	48
2.3	Normid ja eeskirjad.....	48
2.4	Üldised ohutusjuhised .....	48
2.5	Ohutusjuhised kasutamisel .....	48
2.6	Ohutusjuhised töökorras hoidmisel ja rikete kõrvaldamisel.....	48
<b>3</b>	<b>Paigaldus .....</b>	<b>49</b>
<b>4</b>	<b>Kasutuselevõtt .....</b>	<b>49</b>
4.1	Lõppasendite seadistamine .....	49
4.2	Testkäitus.....	50
<b>5</b>	<b>Kasutamine .....</b>	<b>50</b>
5.1	Asjatundlik personal .....	50
5.2	Normaalne kulumine.....	50
5.3	Hädaseiskamine .....	50
<b>6</b>	<b>Kontroll ja hooldus .....</b>	<b>50</b>
6.1	Hooldusintervall .....	51
6.2	Kuluosad.....	51
<b>7</b>	<b>Juhtseade.....</b>	<b>51</b>
<b>8</b>	<b>Häired ja rikete kõrvaldamine .....</b>	<b>51</b>
<b>9</b>	<b>Puhastamine ja hooldus.....</b>	<b>51</b>
<b>10</b>	<b>Laiendamine ja modifitseerimine.....</b>	<b>51</b>
<b>11</b>	<b>Demonteerimine ja utiliseerimine .....</b>	<b>52</b>



.....60

Austatud klient,  
meil on hea meel, et Te olete otsustanud meie kvaliteetse  
toote kasuks.

## 1 Käesoleva juhendi kohta

Käesolev juhend koosneb tekstist ja piltidega osast.  
Piltidega osa leiata tekstiosa järel.

Algupärase kasutusjuhendi tõlge. Lugege käesolev juhend  
põhjalikult ja täielikult läbi: ta sisaldab olulist informatsiooni  
toote kohta. Järgige kõiki juhendi juhiseid, eriti aga  
ohutuslaseid ja hoiatavaid märkusi.

Säilitage käesolev juhend hoolikalt ning hoidke teda nii, et  
ta oleks toote kasutajale igal ajahetkel ligipääsetav.

Tootja ei vastuta kahjude eest, mis tulenevad  
kasutusjuhendi ja selle märkuste mittejärgimisest ning  
tööstushoone ukse mitteotstarbekohasest kasutamisest.

Asjatundlik kasutamine ja hoolikas hooldus mõjutavad  
oluliselt ukseüsteemi tööd ja töövoimet. Vale kasutamine  
ja puudulik hooldus põhjustavad häireid ukse töös, mida  
oleks võinud ära hoida. Probleemideta ja pikaajaline  
töökindlus on tagatud vaid asjatundliku kasutamise ja  
hoolika tehnilise hoolduse puhul.

Klienditeenindus vastab meeleldi Teie küsimustele.  
Pöörduge klienditeeninduse poole, kui Teil on pärast  
käesoleva juhendi läbi töötamist täiendavaid küsimusi.

### 1.1 Kehtivad dokumendid

Tarnekomplekti kuulub sõltuvalt uksega tellitud  
lisavarustusest täiendavaid juhendeid, nt ukse juhtseadme  
juhend. Lugege ka need juhendit hoolikalt ja tervenisti läbi.  
Järgige kõiki juhiseid, eriti aga nende juhendite  
ohutuslaseid ja hoiatavaid märkusi.

### 1.2 Kasutatud hoiatusmärgid



Üldine hoiatussümbol tähistab ohtu, mille  
tulemusena võivad inimesed **vigastada** või **surma** saada.  
Juhendi tekstiosas kasutatakse üldist hoiatussümbolit  
koos järgnevalt kirjeldatud ohuastetega. Juhendi piltidega  
osas viitab täiendav märkus selgitustele tekstiosas.

#### ⚠ OHT

Tähistab ohtu, mis võib vahetult põhjustada surma või  
raskeid vigastusi.

#### ⚠ HOIATUS

Tähistab ohtu, mis võib põhjustada surma või raskeid  
vigastusi.



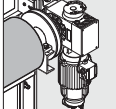
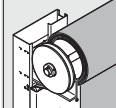


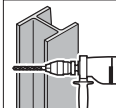

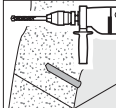
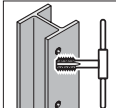
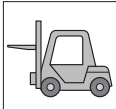




#### ⚠ ETTEVAATUST











Tähistab ohtu, mis võib põhjustada kergeid või keskmisi  
vigastusi.

#### TÄHELEPANU

Tähistab ohtu, mille tulemusena võib toode **kahjustada**  
**saada** või **hävida**.

### 1.3 Kasutatud sümbolid

	Olulised soovitused inimeste vigastuste ja materiaalsete kahjude vältimiseks
	Hoiatus ohtliku elektripinge eest
	Ajami pool
	Laagri pool
	Keerake kruvid kinni
	Valikulised konstruktsioonilised
	Terase puurimine
	Betooni puurimine
	Müüritisse puurimine
	Lõigake keere
	Kasutage sobivat tõstevahendit (nt kahveltõstuk, kraana)
	Jäätmete eemaldamine
	Ajami fikseerimine
	Kontrollimine
	Muljumisoht

	Lõikeoht
	Löögioht
	Sissetõmbamise oht ukse liikumisel
	Määrige
	Korrektne paigutus või tegevus
	Lubamatu järjestus või tegevus
	Konstruktsiooniosa või pakendi eemaldamine ja utiliseerimine
	Vaata tekstiosa
	Vaata pildiosa
	Vaata juhtsüsteemi või täiendavate elektriliste juhtelementide paigaldusjuhendit

### 1.4 Kasutatud lühendid

EN	Euroopa norm
OFF	Valmis põrandapinna ülaäär
LDB	Puhas läbisõidulaius
LDH	Puhas läbisõidukõrgus

## 2 Ohutusjuhised

Tööstushoonete uste kasutamine on nõuete- ja otstarbekohasel kasutamisel ohutu. Asjatundmatul või mitteotstarbekohasel kasutamisel võib neist lähtuda oht. Juhendi eri peatükkides on võimalikult selgelt viidatud ohutusalasatele juhistele.

## 2.1 Otstarbekohane kasutamine

Tööstushoonete ukse kasutatakse läbikäiguavade sulgemiseks, ruumide turvaliseks sulgemiseks, masinate kaitsmiseks, energiakulude vähendamiseks, ruumi kliima parandamiseks ja materjalide voogude kiirendamiseks.

Otstarbekohase kasutamise alla kuulub ka käesoleva juhendi järgimine ja kontrolli- ja hooldusnõuetest kinni pidamine.

Mistahes muu või eelnevast laiem kasutus loetakse mitteotstarbekohaseks. Sellest tulenevate kahjude eest tootja / tarnija ei vastuta. Riski kannab üksnes seadme kasutaja.

## 2.2 Paigaldaja kvalifikatsioon

Tööstushoone ust võib paigaldada, käitada ja hooldada ainult kvalifitseeritud ja vastavalt juhendatud töötajad.

Tööstushoone uksega toiminguid teostavad töötajad peavad enne töö alustamist olema lugenud käesolevat kasutusjuhendit, eriti aga peatükki 2.

Määrake kindlaks, kes on vastutavad seadme kasutamise, hoolduse ja töökorda seadmise eest, et ohutuse huvides ei oleks kompetentsid ebaselged.

## 2.3 Normid ja eeskirjad

Järgige vähemalt järgmisi Euroopa norme ja direktiive ning kõiki asukohamaa ohutusmäärusi, norme ja eeskirju:

### Euroopa normdokumendid

EN 12445	Uksed – ajamiga käitatavate uste kasutamise ohutus: kontrollimismeetodid
EN 12453	Uksed – ajamiga käitatavate uste kasutusohutus: nõuded
EN 12604	Uksed – mehaanilised aspektid – nõuded
EN 12978	Uksed – ohutusseadised ajamiga-käitatavatele ustele: nõuded ja kontrollimismeetodid
EN 60335-1	Majapidamises ja muul sarnasel eesmärgil kasutamiseks mõeldud elektriseadmete ohutus – Osa 1: Üldised nõuded
EN 61508	Ohutusalaste elektriliste / elektrooniliste / programmeeritavate elektrooniliste süsteemide funktsionaalne ohutus

### VDE-eeskirjad

VDE 0113	Elektriseadmed ja elektroonilised töövahendid
VDE 0700	Koduelektroonika jt sarnastel eesmärkidel kasutatavate aparaatide turvalisus

### Õnnetuste vältimise eeskirjad

BGV A3	Elektriseadmed ja töövahendid
ASR A1.7	Tehnilised nõuded töökohtadele

## 2.4 Üldised ohutusjuhised

- Järgige kõiki üldiselt kehtivaid, seadustega kehtestatud ja muid kohustuslikke tööohutuse ning looduskaitse alaseid nõudeid, kasutusriigis kehtivaid ning muid tunnustatud erialaseid reegleid ohutuks ja nõuetekohaseks töötamiseks. Teavitage töötajaid enne töö alustamist nendest reeglitest ja eeskirjadest.
- Säilitage juhend ukse kasutuskohta vahetus läheduses pidevalt kättesaadavana.
- Ärge muutke ukseüsteemi, paigaldage lisaseadmeid ega teostage ümberehitusi, mis võivad ohutust mõjutada, ilma, et oleksite seadme tarnijalt vastava nõusoleku saanud.
- Ärge teostage muudatusi juhtsüsteemi tarkvara juures ega programmeerige seda ümber.
- Märgistage tulekustutite asukohad ja nende kasutamine vastavate siltidega. Järgige seadusega kehtestatud tuleohust teatamise ja tulekustutuseeskirju
- Teostage töid nagu näiteks hooldustööd, puhastustööd ja kontrollimine tööstushoone ukse juures ainult siis, kui seade on välja lülitatud.
- Laske elektritööd teostada ainult elektrikul.
- Eemaldage enne tööde teostamist seadme juures ta elektrivõrgust ning võtke kasutusele meetmed soovimatu uuesti sisse lülitamise vastu. Kui võimalik, siis deaktiveerige hädaavamishoova funktsioon.


## 2.5 Ohutusjuhised kasutamisel

- Enne ukse käitamist veenduge, et ukse liikumisasal ei asuks isikuid ega esemeid.
- Vältige käte sattumist ukse liikumise ajal juhiksiinidesse või sisseliikumisaslasse.
- Kasutage ust ainult siis, kui ta on ohutus ja funktsioonivõimelises seisukorras. Kõik kaitseseadised ja ohutust tagavad seadised, nagu ka eemaldatavad kaitseseadised ning hädaseiskamiseseadised peavad olema olemas ja olema funktsioonivõimelised.
- Ärge muutke ohutusseadiseid ning ärge muutke ka nende funktsioonivõimet.

## 2.6 Ohutusjuhised töökorras hoidmisel ja rikete kõrvaldamisel

- Teostage peatükis 6 ettenähtud kontrolli- ja hooldustööd. Pidage kinni hooldusintervallist ning järgige detailide / osade välja vahetamise kohta toodud andmeid.
- Laske seadme töökorras hoidmiseks ja rikete kõrvaldamiseks vajalikud toimingud teostada ainult spetsialistidel.
- Kasutage ainult varuosi, mis vastavad tootja poolt kindlaks määratud tehnilistele nõuetele. See on tagatud ainult originaalvaruosade puhul.
- Teostage keevitus-, põletus- ja lihvimistöid ukse juures ainult siis, kui see on lubatud. On olemas nt tulekahju- ja plahvatusoht! Enne keevitamist, põletamist ja lihvimist tuleb uks ja selle ümbrus plahvatusohu tõttu tolmut ja põlevatest ainetest puhastada ning tagada tuleb piisav ventilatsioon.
- Enne ajami demonteerimist, fikseerige võll ajami pool (nt kahveltõstuki abil).

### 3 Paigaldus

 OHT
<p><b>Elektripinge!</b> Elektrivooluga kokkupuutel võite saada surmava elektrilöögi. Seetõttu tuleb ilmtingimata jälgida järgmist:</p> <ul style="list-style-type: none"> <li>▶ Laske elektritööd teostada ainult elektrikul.</li> <li>▶ Veenduge, et kohapealne elektriühendus vastab kehtivatele ohutusmäärustele.</li> <li>▶ Jälgige seda, et peetaks kinni asukohamaa elektriseadmete kasutamise määrustest.</li> <li>▶ Paigaldage ukse juhtseade ainult ukse nägemisulatusse.</li> <li>▶ Eemaldage enne tööde teostamist seadme juures ta elektrivõrgust ning võtke kasutusele meetmed soovimatu uuesti sisse lülitamise vastu.</li> </ul>

TÄHELEPANU
<p><b>Võõrpinge</b> Juhtseadme ühendusklemmidesse juhitud väline pinge põhjustab seadme elektroonika hävimise.</p> <ul style="list-style-type: none"> <li>▶ Ärge ühendage juhtseadme ühendusklemmidega välist pinget (nt toitepinge).</li> </ul>

TÄHELEPANU
<p><b>Elektrikaablitele mõjuvad tõmbejõud</b> Elektrikaablitele mõjuvad tõmbejõud põhjustavad elektroonika hävimise.</p> <ul style="list-style-type: none"> <li>▶ Ärge kunagi tirige elektriliste konstruktsiooniosade ühenduskaablitest.</li> </ul>

#### MÄRKUS:

Tarnekomplekti kuuluvad kinnitusvahendid on mõeldud järgmistele aluspindadele.

Betoonikruvid:	aluspinnaks pragunenud betoon C20/25, mittepragunenud betoon C20/25 ja müüritis.
Tüübel:	aluspinnaks betoon C12/15, poorbetoon, silikaatkivi ja keraamiline tellis.
Meeterkeermega poldid:	terasest aluspind, tuleb kontrollida, et materjali paksus ja tugevus oleks sobilikud.

Kirjeldatust erineva aluspinna korral tuleb valida sobilikud kinnitusvahendid (ei kuulu tarnekomplekti).

#### MÄRKUS:


Järgige ka täiendavaid kaasolevaid juhendeid elektriühenduste installeerimiseks ja täiendavate elektriliste juhtelementide paigaldamiseks.





#### Ukse paigaldamiseks:

1. Piirake tööala ära.
2. Kontrollige, ukse paigalduseks vajalikke tingimusi ja mõõte.
3. Kontrollige, kas aluspind on piisavalt tugev.
4. Valige sobilikud kinnitusvahendid.
5. Pakkige uks lahti ja kontrollige, et ei oleks kahjustusi.
6. Kui ukse toimetab kohale transpordifirma: teavitage otsekohe võimalikest kahjustustest.
7. Kontrollige, et tarnekomplekt oleks terviklik.

8. Utiliseerige pakkematerjal.
9. Paigaldage uks nii, nagu see on kujutatud juhendi piltidega osas.

### 4 Kasutuselevõtt

 HOIATUS
<p><b>Defektne uks</b> Defektse ukse tõttu võivad isikud vigastada või esemed kahjustada saada.</p> <ul style="list-style-type: none"> <li>▶ Kasutage ust ainult siis, kui ta on täiesti korras.</li> </ul>

 HOIATUS	
  	<p><b>Ukse liikumine</b> Ukse liikumise tõttu võivad isikud vigastada ning esemed kahjustada saada.</p> <ul style="list-style-type: none"> <li>▶ Veenduge, et ukse käitamisel ei asuks isikud ega esemed ukse sulgemisalas.</li> <li>▶ Ärge kunagi tõstke uksemehhanismi abil asju või inimesi.</li> <li>▶ Ärge puutuge ukse liikumise ajal juhiksiine, kerimisala, ketti, hammasrattaid või rulljuhkuid.</li> </ul>

#### 4.1 Lõppasendite seadistamine

Ukse lõppasendid seadistatakse juhtseadme abil.

#### MÄRKUS:

Järgige ajami ja juhtseadme juhendis toodud juhiseid.

##### 4.1.1 Lõppasend uks kinni

TÄHELEPANU
<p><b>Lõppasendi uks kinni ületamine</b> Lõppasendi uks kinni ületamisel on olemas oht, et turvaservaprofiil saab kahjustada. Seeläbi ei ole turvaserv võimeline oma funktsiooni täitma.</p> <ul style="list-style-type: none"> <li>▶ Ärge ületage lõppasendit <i>uks kinni</i>.</li> </ul>

- ▶ Seadistage lõppasend *uks kinni* nii, et alumine profiil on täies ulatuses vastu põrandat. Kui juhiksiini on vaja tõsta või kui põrand on ebatasane, siis valige lõppasendiks küljeosa alumine serv.

##### 4.1.2 Lõppasend uks lahti





TÄHELEPANU
<p><b>Lõppasendi uks lahti ületamine</b> Lõppasendi uks lahti ületamisel on olemas oht, et ukse kangas või ukseleht libiseb juhiksiinidest välja ja saab kahjustada.</p> <ul style="list-style-type: none"> <li>▶ Ärge ületage lõppasendit <i>uks lahti</i>.</li> </ul>

- ▶ Seadistage lõppasend *uks lahti* nii, et kaugus alumise profiili alumise servani vastaks ukse kõrguse mõõdule.

## 4.2 Testkäitus

1. Kontrollige pärast paigalduse lõpetamist ukse töökindlust vastavalt vastuvõtu- / üleandmisprotokollile.
2. Kinnitage kuupäevaliselt ja allkirjaga proovikäitamise edukust.
3. Andke kogu ust puudutav dokumentatsioon üle ukseüsteemi omanikule või käitajale.

## 5 Kasutamine

 <b>HOIATUS</b>	
  	<p><b>Ukse liikumine</b></p> <p>Ukse liikumise tõttu võivad isikud vigastada ning esemed kahjustada saada.</p> <ul style="list-style-type: none"> <li>▶ Veenduge, et ukse käitamisel ei asuks isikud ega esemed ukse sulgemisalas.</li> <li>▶ Veenduge enne sisse- või väljasõitu, et uks on täielikult avatud. Uksest võib läbi sõita või läbi minna alles siis, kui ukse liikumine on täielikult seiskunud.</li> <li>▶ Veenduge enne sisse- või väljasõitu, et vajalik läbisõidukõrgus on olemas.</li> <li>▶ Ärge kunagi tõstke uksemehhanismi abil asju või inimesi.</li> <li>▶ Vältige käte sattumist ukse liikumise ajal juhiksiinidesse või sisseliikumisalasse.</li> </ul>

### TÄHELEPANU

#### Hädakäitamiseseadmeid

Hädakäitamiseseadmete tihedal kasutamisel võivad need kahjustada saada. Lisaks katkeb seetõttu ka ukse garantii.

- ▶ Kasutage hädakäitamiseseadmeid ainult voolukatkestuse või remonditööde korral.

### TÄHELEPANU

#### Agressiivsed ained, tuul ja kuumus

Agressiivsed ained, tuul ja kuumus võivad ust kahjustada.

- ▶ Kaitske ust agressiivsete ainete eest:
  - salpeeter kividest ja mördist
  - tsement
  - kips
  - happed
  - leelised
  - sool
  - agressiivselt mõjuvad viimistlusvahendid
  - agressiivselt mõjuvad tihendusmaterjalid
- ▶ Vältige ukse lähedusel temperatuure üle 50° C.

## 5.1 Asjatundlik personal

Ust tohib käitada vaid instrueeritud isik. Isikut võib pidada instrueerituks (EN 12453 mõistes), kui teda on õpetatud ust ohutult käitama ning tal on omaniku luba ukseüsteemi kasutamiseks.


## 5.2 Normaalne kulumine

Kiirullukse konstruktsioon vastab tänapäevastele tehnilistele võimalustele. Survekohad ja kulumine tulenevad konstruktsioonist ning on vältimatud.

## 5.3 Hädaseiskamine

- ▶ Hädalukkorras eemaldage juhtseade vooluvõrgust, selleks tuleb keerata pealüliti, tõmmata toite pistik välja või kui olemas, siis vajutage punasele hädaseiskamise nupule.

## 6 Kontroll ja hooldus





 <b>HOIATUS</b>	
<b>Hooldamata uks</b>	
Kui ust regulaarselt ei kontrollita ja hooldata, siis on olemas vigastuste ja kahjustuste oht. Lisaks katkeb seetõttu ukse garantii.	
<ul style="list-style-type: none"> <li>▶ Kontrollige ja hooldage ust regulaarselt nii nagu see on käesolevas juhendis kirjeldatud või andke see ülesanne tootja hooldusega tegelevate töötajatele.</li> </ul>	



### OHT

#### Elektripinge!

Elektrivooluga kokkupuutel võite saada surmava elektrilöögi.

- ▶ Eemaldage enne tööde teostamist seadme juures ta elektrivõrgust ning võtke kasutusele meetmed soovimatu uuesti sisse lülitamise vastu.

 <b>HOIATUS</b>	
  	<p><b>Ukse liikumine</b></p> <p>Kui kontrolli- või hooldustööde ajal ust käitatakse on olemas vigastuste ja kahjustuste oht.</p> <ul style="list-style-type: none"> <li>▶ Eemaldage enne tööde teostamist seadme juures ta elektrivõrgust ning võtke kasutusele meetmed soovimatu uuesti sisse lülitamise vastu.</li> <li>▶ Kui olemas, siis blokeerige ajutiselt hädaavamise hoob / käepide.</li> </ul>

 <b>HOIATUS</b>	
	<p><b>Allakukkuvad detailid</b></p> <p>Ukse demonteerimisel võivad detailid alla kukkuda ja isikuid vigastada või esemeid kahjustada.</p> <p><b>Katted (lisavarustus)</b></p> <ul style="list-style-type: none"> <li>▶ Enne ukse katete demonteerimist, tulevad need fikseerida (nt kahveltõstukiga).</li> </ul> <p><b>Võll</b></p> <ul style="list-style-type: none"> <li>▶ Võll tuleb enne demonteerimist fikseerida (nt kahveltõstukiga).</li> </ul>

Kontrollige ja hooldage ust ainult siis ise, kui olete asjatundja (kompetentne isik normdokumendi EN 12635 mõistes). See tähendab, et peate omama vastavat väljaõpet, kvalifitseeritud teadmisi ja praktilist kogemust, et tagada korrektne ja turvaline kontroll ja hooldus.

Järgige kõiki kehtivaid tööohutuse alaseid eeskirju.

Soovitame seadme kontrolli ja hoolduse jätta tootja hooldusspetsialiste hooleks.

Kiirrulluks vajab vähest hooldust. Normaalsel tingimustel töötades on kõik laagriosad, sh ülekandemehhanismid, määratud normtööeaks ega vaja hooldust.

## 6.1 Hooldusintervall

Vastavalt ajamiga käitavate akende, uste ja väravate direktiivile (ASR A1.7) peab ust kontrollima ja hooldama vähemalt kord aastas ning võimalikult sama ajavahemiku järel.

Sõltuvalt ukse suurusest ja aastasest kasutuskoormusest soovitame järgmisi hooldusintervalle:

**Väga suure tsüklite arvu korral (> 50000 korda aastas):**

Funktsioonelementide hooldus kord poole aasta jooksul:

- Elektriajam ja pidur
- Kõik kruviühendused
- Väljalülitus lõppasendites / ümberlülitus aeglasele liikumisele
- Juhtseade / impulsi andmise seadmed

**Vähemate tsüklite arvu korral:**

Igaaastane hooldus koos kohustusliku õnnetuste vältimise nõuete järgimise kontrolliga (vastavalt ASR A1.7).

- ▶ Kontrollige ohutusseadiste (fotosilmad / võre-fotosilm) toimimist vähemalt kord poole aasta jooksul.

## 6.2 Kuluosad

Järgnevalt nimetatud kuluosade, kui olemas, vastupidavusele kehtivad järgmised eeldatavad tsükli- ja kestvusajad:

Kuluosad	Tsüklid	Ajavahemik
Ajam (60% tööaeg)	500 000	2 aastat
kuni 30.04.2017 Ajam (torumootor; 60% tööaeg)	350 000	2 aastat
alates 01.05.2017 / V 4015 SEL Alu-R Ajam (torumootor; 60% tööaeg) <sup>1)</sup>	700 000	2 aastat
pidur	250 000	2 aastat
Raadio-otsasõidu anduri patarei	-/-	2 aastat
Kaabliga energiakett	250 000	2 aastat
Vedrud	100 000	2 aastat
Koodud vööd	100 000	2 aastat
Lamerihm (vastukaal, paneelid)	500 000	2 aastat
Rullikud	100 000	2 aastat
Puhvertoiteallika aku	-/-	1,5 aastat
Puhvertoiteallika aku (kuumus- ja suitsuärastusfunktsiooniga uksed)	-/-	1 aasta
Hinged	100 000	2 aastat

Kuluosad	Tsüklid	Ajavahemik
Tihendid / tihendusliistud	150 000	2 aastat
Uksekanas (V 3515 Iso + V 4015 Iso L)	150 000	2 aastat
Võre-fotosilm / fotosilmad	-/-	2 aastat

1) Komponentid tuleb ülalinimetatud tsüklite korral kindlasti välja vahetada.

## 7 Juhtseade

Juhtseade valmistatakse tellimusest lähtuvalt alati konkreetse ukse tarbeks. Vastava ukse elektriskeemi ja tarkvarakirjelduse leiab elektrikiibist.

- ▶ Lisage elektriskeem ja tarkvarakirjeldus käesolevale juhendile.

Igal kilbil on oma number.

- ▶ Nõu või abi küsimisel peab seda numbrit teadma.

## 8 Häired ja rikete kõrvaldamine

Pöörduge rikete korral meie klienditeeninduse poole.

### Ajami võimsus

Toitepinge peab olema 230 V ± 5 % või siis 400 V ± 5 %. Suurema erinevuse korral võib esineda probleeme ajami jõudlusega.

## 9 Puhastamine ja hooldus

Kasutage sooja vett, millesse on lisatud neutraalset, mitteabasiivset puhastusvahendit (majapidamises kasutatavat pesuvahendit, pH-väärtusega 7, Isopropanol 99,9 %)..

Kasutage puhastamiseks ainult pehmet tekstiilist lappe või aknapesuseemist. Loputage mustus- ja tolmuosad maha puhta veega.

## 10 Laiendamine ja modifitseerimine

### HOIATUS

#### Mittesobilikud komponendid



Mittesobilike komponentide kasutamine võib ukseüsteemi üle koormata. See võib põhjustada eluohtlikke vigastusi.

- ▶ Kasutage ainult tootja poolt aktsepteeritud komponente.

Laske ukseüsteemi laiendada või modifitseerida üksnes tootja loal.

Garantii ja tootja vastutus ei kehti, kui Te teostate ukseüsteemi juures konstruktsioonilisi muudatusi ilma tootjapoolse nõusolekuta.

## 11 Demonteerimine ja utiliseerimine

 <b>HOIATUS</b>	
	<p><b>Allakukkuvad detailid</b></p> <p>Ukse demonteerimisel võivad detailid alla kukkuda ja isikuid vigastada või esemeid kahjustada.</p>
	<p><b>Katted (lisavarustus)</b></p> <p>▶ Enne ukse katete demonteerimist, tulevad need fikseerida (nt kahveltõstukiga).</p>
	<p><b>Võll</b></p> <p>▶ Võll tuleb enne demonteerimist fikseerida (nt kahveltõstukiga).</p>

Demonteerige uks ise vaid siis, kui olete asjatundja (kompetentne isik normdokumendi EN 12635 mõistes). See tähendab, et peate omama vastavat väljaõpet, kvalifitseeritud teadmisi ja praktilist kogemust, et tagada korrektne ja turvaline demonteerimine.

Järgige demonteerimisel kõiki tööohutuse alaseid eeskirju.

### Ukse demonteerimiseks ja utiliseerimiseks:

1. Avage uks täielikult.
2. Kerige uks hädaolukorraks mõeldud manuaalmehhanismi abil ettevaatlikult üles.
3. Kerige ukserulli ümber tugeva teibiga mitu tiiru (nt pakketeip), nii et rull ei saaks ennast lahti kerida.
4. Sõitke tõstukiga, millele on asetatud sobiv alus või kandekonstruksioon, ukserulli alla, ning tõstke alus või kandekonstruksioon ülesse, nii et kokkurullitud uks jääks selle peale.
5. Vabastage laagri ja ajami kinnitus.
6. Tõste võll või siis ülaosa koos ajamiga konsoolidelt maha.

### ETTEVAATUST

#### Ajam võib võlli kaela pealt maha libiseda.

- ▶ Hoidke võll või siis ülaosa alla laskmisel horisontaalsena.
7. Demonteerige juhiksiinid või siis küljeosad ja konsoolid.
  8. Võtke uks juppideks ja utiliseerige detailid vastavalt nõuetele.

## Saturs

<b>1</b>	<b>Par šo instrukciju.....</b>	<b>53</b>
1.1	Citas spēkā esošās dokumentācijas .....	53
1.2	Lietotās brīdinājuma norādes .....	53
1.3	Lietotie simboli .....	54
1.4	Lietotie saīsinājumi .....	54
<b>2</b>	<b>⚠ Drošības norādījumi.....</b>	<b>54</b>
2.1	Noteikumiem atbilstošs pielietojums.....	54
2.2	Personāla kvalifikācija .....	55
2.3	Tiesību normas un priekšraksti.....	55
2.4	Vispārēji drošības norādījumi.....	55
2.5	Drošības norādījumi par eksploataciju .....	55
2.6	Drošības norādījumi par vārtu uzturēšanu darba kārtībā un darbības traucējumu novēršanu .....	55
<b>3</b>	<b>Montāža.....</b>	<b>56</b>
<b>4</b>	<b>Eksploatacijas uzsākšana .....</b>	<b>56</b>
4.1	Gala pozīciju iestatīšana .....	56
4.2	Testa gājiens .....	57
<b>5</b>	<b>Lietošana .....</b>	<b>57</b>
5.1	Instruētas personas .....	57
5.2	Standarta nodilums .....	57
5.3	Avārijas izslēgšana .....	57
<b>6</b>	<b>Pārbaude un apkope .....</b>	<b>57</b>
6.1	Apkopes intervāli .....	58
6.2	Dilstošās detaļas .....	58
<b>7</b>	<b>Vadības ierīce.....</b>	<b>58</b>
<b>8</b>	<b>Darbības traucējumi un kļūmju novēršana ...</b>	<b>59</b>
<b>9</b>	<b>Tīrīšana un kopšana .....</b>	<b>59</b>
<b>10</b>	<b>Paplašināšana un pārbūve.....</b>	<b>59</b>
<b>11</b>	<b>Demontāža un utilizācija.....</b>	<b>59</b>



.....60

Ļoti cien. kliente, augsti god. klient!  
Mēs priecājamies, ka esat izvēlējies iegādāties mūsu firmā ražotu augstas kvalitātes izstrādājumu.

## 1 Par šo instrukciju

Šī instrukcija sastāv no teksta sadaļas un attēlu sadaļas. Attēlu sadaļa seko aiz teksta sadaļas.

Oriģinālās lietošanas instrukcijas tulkojums. Uzmanīgi izlasiet instrukciju līdz galam, jo tā satur svarīgu informāciju par izstrādājumu. Ņemiet vērā norādes un īpašu uzmanību pievēršiet drošības un brīdinājuma norādījumiem.

Rūpīgi uzglabājiet instrukciju un nodrošiniet, ka izstrādājuma lietotājs jebkurā brīdī tai var brīvi piekļūt un atrast nepieciešamo informāciju.

Ražotājs neuzņemas atbildību par bojājumiem, kas radušies eksploatacijas instrukcijas, kā arī tajā iekļauto norādījumu neievērošanas rezultātā vai industriālos vārtus lietojot neatbilstoši noteikumiem.

Pareiza eksploatacija un rūpīgi veikta apkope būtiski ietekmē industriālo vārtu darbības efektivitāti un izmantojamību. Kļūdaina eksploatacija un nepareizi veikta apkope var izraisīt darbības traucējumus, no kuriem ir iespējams izvairīties. Efektīvu un ilgstošu iekārtas eksploatacijas drošību garantē profesionāla eksploatacija un rūpīgi veikta apkope.

Klientu apkalpošanas centra darbinieki labprāt sniegs atbildes uz jūsu jautājumiem. Sazinieties ar viņiem, ja pēc iepazīšanās ar eksploatacijas instrukcijas saturu jums vēl ir kādas neskaidrības.

### 1.1 Citas spēkā esošās dokumentācijas

Piegādes komplektā atkarībā no pasūtītajiem piederumiem ir iekļautas papildu instrukcijas, piem., vārtu vadības ierīces eksploatacijas instrukcija. Rūpīgi un līdz galam izlasiet arī šīs instrukcijas. Ņemiet vērā šajās instrukcijās iekļautās norādes un īpašu uzmanību pievēršiet drošības un brīdinājuma norādījumiem.

### 1.2 Lietotās brīdinājuma norādes



Vispārējais brīdinājuma simbols apzīmē apdraudējumu, kas var nodarīt **miesas bojājumus** vai izraisīt **nāvi**. Teksta sadaļā vispārējo brīdinājuma simbolu izmanto kopā ar tālāk aprakstītajām brīdinājuma pakāpēm. Attēlu sadaļā papildu informācija norāda uz paskaidrojumiem teksta sadaļā.

#### ⚠ BĪSTAMI!

Apzīmē apdraudējumu, kas tieši var izraisīt nāvi vai nodarīt smagus miesas bojājumus.

#### ⚠ BRĪDINĀJUMS

Apzīmē apdraudējumu, kas var izraisīt nāvi vai smagus miesas bojājumus.



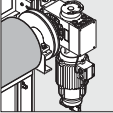
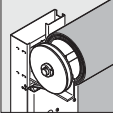


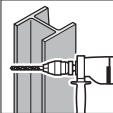
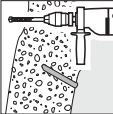
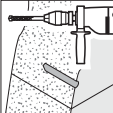
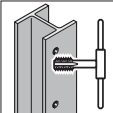
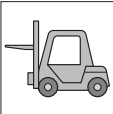




#### ⚠ IEVĒROT PIESARDZĪBU!











Apzīmē apdraudējumu, kas var izraisīt vieglus vai vidējas pakāpes miesas bojājumus.

#### UZMANĪBU!

Apzīmē apdraudējumu, kas var izraisīt **bojājumus izstrādājumā vai pilnībā to sabojāt**.

### 1.3 Lietotie simboli

	Svarīgs norādījums, lai novērstu cilvēku savainošanu vai materiālos bojājumus
	Brīdinājums par bīstamu elektrisko spriegumu
	Piedziņas puse
	Gultņa puse
	Vītņu savienojuma pievilkšana ar roku
	Daļas pēc speciālā pasūtījuma
	Urbšana tēraudā
	Urbšana betonā
	Urbšana mūrī
	Vītņu nogriešana
	Speciālu pacelšanas līdzekļu lietošana (piem. iekrāvējs, celtnis)
	Atgriezumumu notīrīšana
	Piedziņas nostiprināšana
	Pārbaude
	Saspiešanas risks

	Ķermeņa daļu nogriešanas risks
	Grūdienu risks
	Ķermeņa daļu ievilkšanas risks vārtu kustības laikā
	Ieziešana ar smērvielu
	Pareizs izkārtojums vai darbība
	Neatļauts novietojums vai darbība
	Daļas vai iepakojuma noņemšana un utilizācija
	Skatīt teksta sadaļu
	Skatīt attēlu sadaļu
	Skatīt atsevišķo vadības ierīces vai papildu elektrisko vadības elementu montāžas instrukciju

### 1.4 Lietotie saīsinājumi

EN	Eiropas standarts
OFF	Gatavas grīdas augšējā mala
LDB	Lekšējais caurbrauktuves platums
LDH	Lekšējais caurbrauktuves augstums

## 2 Drošības norādījumi

Industriālie vārti, tos lietojot atbilstoši noteikumiem un paredzētajam mērķim, ir ekspluatācijai droši. Vārtus lietojot pretēji noteikumiem vai paredzētajam mērķim, tie var izraisīt riska situācijas. Mēs skaidri vēšam jūsu uzmanību uz atsevišķajās nodaļās sniegtajiem drošības norādījumiem.

### 2.1 Noteikumiem atbilstošs pielietojums

Industriālos vārtus uzstāda caurstaigājama vai caurbraucama eju noslēgšanai, drošai telpu izolēšanai, mašīnu aizsargāšanai, enerģijas izmaksu optimizēšanai, telpu klimata uzlabošanai un materiālu plūsmas pātrināšanai.

Noteikumiem atbilstošs pielietojums nozīmē arī šīs instrukcijas norādījumu ievērošanu, kā arī pārbaūžu un apkopes veikšanas noteikumu izpildi.

Cita veida izmantošana, kas ir pretēja iepriekš minētajai, ir uzskatāma par noteikumiem neatbilstošu. Par bojājumiem, kas radušies šādas vārtu izmantošanas rezultātā, ražotājs / piegādātājs atbildību neuzņemas. Atbildību šādā gadījumā uzņemas vienīgi vārtu lietotājs.

## 2.2 Personāla kvalifikācija

Vārtus uzstādīt, ekspluatēt un veikt to apkopi drīkst tikai kvalificēts un instruēts personāls.

Personālam, kas ir norīkots darbam ar industriālajiem vārtiem, pirms darba sākšanas ir jābūt izlasījušam šo instrukciju, īpaši 2.nodaļu.

Nosakiet skaidras atbildības sfēras attiecībā uz vārtu darbināšanu, apkopi un labošanu, lai nerastos neskaidras situācijas, kas var negatīvi ietekmēt drošību.

## 2.3 Tiesību normas un priekšraksti

Obligāti ievērojiet tālāk norādītās Eiropas tiesību normas un direktīvas, kā arī visus ekspluatācijas valstī spēkā esošos drošības noteikumus, tiesību normas un priekšrakstus:

### Eiropas standarti

EN 12445	Vārti – Elektromehāniskās vadības vārtu lietošanas drošība: Pārbaūžu veikšanas metodes
EN 12453	Vārti – Elektromehāniski darbināmu vārtu lietošanas drošība: Prasības
EN 12604	Vārti – Mehāniskie aspekti – Prasības
EN 12978	Vārti – Elektromehāniskās vadības vārtu aizsargmehānismi: Prasības un pārbaudes veikšanas metodes
EN 60335-1	Elektroierīču drošība izmantošanai mājāsaimniecībās un līdzīgiem mērķiem – 1. daļa: Vispārējās prasības
EN 61508	Ar drošību saistītu elektrisko / elektronisko / programmējamo elektronisko sistēmu funkcionālā drošība

### Vācijas elektrotehniķu asociācijas (VDE) noteikumi

VDE 0113	Elektriskās iekārtas ar elektronisku aprīkojumu
VDE 0700	Elektronisko ierīču drošība lietošanai mājāsaimniecībās un līdzīgiem mērķiem

### Nelaiemes gadījumu novēršanas priekšraksti

BGV A3	Elektriskās iekārtas un aprīkojums
ASR A1.7	Tehniskie noteikumi darbavietām

## 2.4 Vispārēji drošības norādījumi

- Ievērojiet vispārārtzītos, likumā noteiktos un papildus spēkā esošos noteikumus par nelaiemes gadījumu novēršanu un apkārtējās vides aizsardzību, ekspluatācijas valstī piemērojamos priekšrakstus, kā arī pieņemtos tehniskos noteikumus par drošu un profesionālu darba izpildi. Pirms darba sākšanas veiciet personāla instruēšanu atbilstoši šiem noteikumiem.
- Pastāvīgi uzglabājiet šo instrukciju vārtu ekspluatācijas vietā, lai tā jebkurā brīdī būtu pieejama.
- Neveiciet pie industriālajiem vārtiem nekāda veida izmaiņas, papildu komponentu uzstādīšanu un pārbūves darbus, kas var atstāt negatīvu ietekmi uz vārtu drošību, iepriekš nesaskaņojot to ar vārtu piegādātāju.
- Neveiciet nekādas izmaiņas programmējamo vadības sistēmu programmatūrā.
- Ar atbilstošu norādījumu plāksnīšu palīdzību veiciet ugunsdzēsamo aparātu atrašanās vietu marķēšanu, uzstādot arī norādes par to lietošanu. Ievērot likumā paredzētos noteikumus attiecībā uz ziņošanu par ugunsgrēka izcelšanos un to lokalizāciju.
- Jebkādus darbus pie industriālajiem vārtiem, kas saistīti ar apkopes, tīrīšanas darbu vai pārbaūžu veikšanu, izpildiet tikai tad, kad vārti netiek ekspluatēti.
- Elektropieslēgumu pārbaudi uzticiet tikai kvalificētam elektriķim.
- Pirms jebkādu darbu veikšanas pie iekārtas pārtrauciet tai sprieguma padevi un nodrošiniet to pret nesankcionētu ieslēgšanos. Deaktivizējiet vārtu avārijas atvēršanas sviru, ja tāda ir uzstādīta.

## 2.5 Drošības norādījumi par ekspluatāciju

- Pirms vārtu darbināšanas pārliecinieties, ka vārtu kustības zonā neatrodas neviens cilvēks vai priekšmets.
- Vārtu darbības laikā neķerieties ar rokām vadotnē vai vārtu uztīšanās zonā.
- Industriālos vārtus atļauts ekspluatēt tikai tad, ja to tehniskais stāvoklis ir nevainojams un ekspluatācija ir droša. Visiem aizsargmehānismiem un ar drošību saistītajām ierīcēm, kā arī atvienojamajiem aizsargmehānismiem un avārijas izslēgšanas ierīcēm ir jābūt uzmontētām un ir jābūt darba kārtībā.
- Neveiciet izmaiņas drošības mehānismu konstrukcijā un neatslēdziet tos.

## 2.6 Drošības norādījumi par vārtu uzturēšanu darba kārtībā un darbības traucējumu novēršanu

- Izpildiet 6.nodaļā noteiktos pārbaudes un apkopes darbus. Ievērojiet apkopes intervālus un ņemiet vērā norādes par detaļu / atsevišķo aprīkojumu nomaiņu.
- Darbības, kas saistītas ar vārtu uzturēšanu darba kārtībā un traucējumu novēršanu, drīkst veikt tikai kvalificēti speciālisti.
- Izmantojiet tikai tādas rezerves daļas, kas atbilst ražotāja noteiktajām tehniskajām prasībām. Oriģinālās rezerves daļas šīm prasībām atbilst vienmēr.

- Metināšanas, dedzināšanas un slīpēšanas darbus pie industriālajiem vārtiem drīkst veikt tikai tad, ja par šādu darbu veikšanu ir saņemta īpaša atļauja. Var rasties piem., ugunsgrēka izcelšanās un sprādziena draudi! Pirms metināšanas, dedzināšanas un slīpēšanas darbu izpildes sprādzienbīstamības dēļ attīrīt industriālos vārtus un to apkārtni no putekļiem un degošām vielām un nodrošināt pietiekamu ventilāciju.
- Pirms piedziņas demontāžas nofiksēt vārpstu piedziņas pusē (piem., ar dakšu iekrāvēju).

### 3 Montāža

#### BĪSTAMI!

##### Tīkla spriegums

Saskaroties ar tīkla spriegumu, pastāv nāvējoša strāvas trieciena gūšanas risks. Tādēļ ievērojiet šādas norādes:

- ▶ Elektropieslēgumu pārbaudi uzticiet tikai kvalificētam elektriķim.
- ▶ Pārliecinieties, ka elektroinstalācijas vārtu uzstādīšanas vietā atbilst spēkā esošajiem aizsardzības noteikumiem.
- ▶ Pievērsiet uzmanību tam, lai tiktu ievēroti nacionālie priekšraksti par elektrisko iekārtu ekspluatāciju.
- ▶ Industriālo vārtu vadības ierīci uzstādiet vārtu redzamības zonā.
- ▶ Pirms jebkādu elektrodarbu veikšanas pie iekārtas, pārtrauciet tai sprieguma padevi un nodrošiniet to pret nesankcionētu ieslēgšanos.

#### UZMANĪBU!

##### Ārējs spriegums

Ārējs spriegums, kas tiek pievadīts vadības ierīces pieslēguma spailēm, izraisa bojājumus ierīces elektroniskajā sistēmā.

- ▶ Nepievadiet vadības ierīces pieslēgspailēm ārēju sprieguma (piem., tīkla spriegumu).

#### UZMANĪBU!

##### Vilkšanas spēka iedarbība uz strāvas vadiem

Vilkšanas spēka iedarbība uz strāvas vadiem izraisa elektroniskās sistēmas sabojāšanos.

- ▶ Nekad nevilkt aiz elektrodaļu savienojuma vadiem.

#### NORĀDE:

Komplektā iekļautie stiprinājuma materiāli ir sertificēti izmantošanai šādām paklājkārtām:

Skrūves betonam:	Montāžas paklājkārta: augstai stiepes slodzei piemērots betons C20 / 25, augstai spiedes slodzei piemērots betons C20 / 25 un mūris.
Dībeļi ar pagarinātu plešanās daļu:	Montāžas paklājkārtai no betona C12 / 15, gāzbetona, pilnajiem silikātķieģeļiem un pilnķieģeļiem.
Skrūves ar metrisko vītņi:	Montāžas paklājkārtai no tērauda raudzīties, lai tiktu izvēlēts piemērota biezuma un stiprības materiāls.

Cita veida paklājkārtām jāizvēlas piemēroti stiprinājuma materiāli (kas nav iekļauti piegādes komplektā).

#### NORĀDE:

Ņemiet vērā arī norādījumus, kas ietverti pārējās klāt pievienotajās elektropieslēgumu instalācijas un papildu elektrisko vadības elementu montāžas instrukcijās.

#### Pirms vārtu montāžas

1. Norobežojiet vārtu montāžas teritoriju.
2. Pārbaudiet vārtu montāžas nosacījumu ievērošanu un montāžas izmērus.
3. Pārbaudiet pamatnes kvalitāti, novērtējot tās stabilitāti.
4. Izvēlieties piemērotus stiprinājuma līdzekļus.
5. Atbrīvojiet vārtus no iepakojuma materiāla un pārbaudiet, vai tie nav bojāti.
6. Ja piegādi ir veikusi loģistikas kompānija: par konstatētajiem bojājumiem paziņot nekavējoties.
7. Pārbaudiet, vai piegādes komplektā netrūkst nevienas detaļas.
8. Uzturējiet iepakojuma materiālus.
9. Veiciet vārtu montāžu saskaņā ar attēlu sadaļā sniegtajiem attēliem.

### 4 Ekspluatācijas uzsākšana

#### BRĪDINĀJUMS

##### Nepareizi uzstādīti vārti

Darbinot nepareizi uzstādītus vārtus, pastāv savainojumu gūšanas vai priekšmetu sabojāšanas risks.

- ▶ Vārtu ekspluatāciju sāciet tikai tad, ja tie ir nevainojamā tehniskā stāvoklī.

#### BRĪDINĀJUMS



##### Vārtu kustības

Vārtu kustību laikā var tikt savainoti cilvēki vai sabojāti priekšmeti.

- ▶ Pārliecinieties, ka vārtu darbības laikā vārtu aizvēršanās zonā neatrodas cilvēki vai priekšmeti.
- ▶ Ar vārtu palīdzību nekad necelt ne cilvēkus, ne priekšmetus.
- ▶ Vārtu darbības laikā neķerieties ar rokām vadotnē, vārtu uztīšanās zonā, ķēdē, zobratā vai virzošajā rullītī.

#### 4.1 Gala pozīciju iestatīšana

Vārtu gala pozīcijas iestata pie komutācijas skapja.

#### NORĀDE:

Ievērot piedziņas un vadības ierīces montāžas instrukcijā ietvertos norādījumus.

#### 4.1.1 Gala pozīcija “Vārti aizvērti”

<b>UZMANĪBU!</b>
<p><b>Gala pozīcijas Vārti aizvērti pārsniegšana</b></p> <p>Tiekot pārsniegtai gala pozīcijai <i>Vārti aizvērti</i>, pastāv kontaktslīdes profila kompresijas risks. Tādējādi tiek izraisīta kontaktslīdes profila darbības pārtrauce.</p> <p>▶ Nepārsniedziet gala pozīciju <i>Vārti aizvērti</i>.</p>

- ▶ Gala pozīciju *Vārti aizvērti* iestatiet tā, lai noslēgprofils pilnībā saskartos ar pamatni. Ja vadotne ir ar oderējumu vai ja pamatne ir nelīdzena, par gala stāvokli izvēlieties sāna daļas apakšējo malu.

#### 4.1.2 Gala pozīcija “Vārti atvērti”





<b>UZMANĪBU!</b>
<p><b>Gala pozīcijas Vārti atvērti pārsniegšana</b></p> <p>Tiekot pārsniegtai gala pozīcijai <i>Vārti atvērti</i>, pastāv risks, ka vārtu vērtne, resp., apšuvums var izslīdēt no vadsliedēm un tikt sabojāts.</p> <p>▶ Nepārsniedziet gala pozīciju <i>Vārti atvērti</i>.</p>

- ▶ Gala pozīciju *Vārti atvērti* iestatiet tā, lai attālums līdz noslēgprofila apakšējai malai atbilstu vārtu augstuma izmēram.

#### 4.2 Testa gājiens

1. Pēc montāžas pabeigšanas pārbaudiet vārtu darbības drošumu, vadoties pēc nodošanas / pieņemšanas protokola.
2. Apstipriniet ar datumu un parakstu veikto testa gājienu pārbaudes žurnālā.
3. Visu vārtu dokumentāciju nododiet vārtu iekārtas īpašniekam vai ekspluatētājam.

### 5 Lietošana

 <b>BRĪDINĀJUMS</b>	
  	<p><b>Vārtu kustības</b></p> <p>Vārtu kustības laikā var tikt savainoti cilvēki vai sabojāti priekšmeti.</p> <ul style="list-style-type: none"> <li>▶ Pārliedcinieties, ka vārtu darbības laikā vārtu aizvērtā zonā neatrodas cilvēki vai priekšmeti.</li> <li>▶ Pirms iebraukšanas vai izbraukšanas no garāžas pārliedcinieties, ka vārti ir atvērušies līdz galam. Šķērsot vārtu līniju ar transportlīdzekli vai kājām atļauts tikai tad, kad vārti ir pilnībā apstājušies.</li> <li>▶ Pirms iebraukšanas garāžā vai izbraukšanas no tās pārliedcinieties, ka ir sasniegts nepieciešamais iebraukšanas / izbraukšanas augstums.</li> <li>▶ Ar vārtu palīdzību nekad necelt ne cilvēkus, ne priekšmetus.</li> <li>▶ Vārtu darbības laikā neķerieties ar rokām vadotnē vai vārtu uztīšanās zonā.</li> </ul>

<b>UZMANĪBU!</b>
<p><b>Avārijas vadības ierīces</b></p> <p>Pārāk bieži lietojot avārijas vadības ierīces, tās var sabojāties. Turklāt spēku zaudē vārtu ekspluatācijas garantija.</p> <ul style="list-style-type: none"> <li>▶ Avārijas vadības ierīces lietojiet tikai strāvas padeves pārtraukuma gadījumā vai veicot labošanas darbus pie vārtiem.</li> </ul>

<b>UZMANĪBU!</b>
<p><b>Stipras iedarbības vielas, vējš un karstums</b></p> <p>Stipras iedarbības vielas, vējš un karstums vārtiem var nodarīt bojājumus.</p> <ul style="list-style-type: none"> <li>▶ Aizsargājiet vārtus no stipras iedarbības vielām: <ul style="list-style-type: none"> <li>– salpetra no akmeņiem vai javas</li> <li>– cementa</li> <li>– ģipša</li> <li>– skābēm</li> <li>– sārmem</li> <li>– smalkā sāls</li> <li>– stipras iedarbības krāsām</li> <li>– stipras iedarbības blīvēšanas materiāliem</li> </ul> </li> <li>▶ Temperatūra, kas pārsniedz 50° C, vārtu tuvumā nav vēlama.</li> </ul>

#### 5.1 Instruētas personas

Vārtus drīkst ekspluatēt tikai instruētas personas. Persona ir uzskatāma par instruētu (EN 12453), ja tā ir iepazīstināta ar drošas vārtu ekspluatēšanas principiem un no vārtu īpašnieka ir saņēmusi vārtu iekārtas lietošanas atļauju.


#### 5.2 Standarta nodilums

Ātrgaitas vārtu konstrukcija atbilst mūsdienu tehniskajiem standartiem. Iespiedumi un noberzumi ir saistīti ar vārtu konstrukcijas specifiku un ir nenovēršami.

#### 5.3 Avārijas izslēgšana

- ▶ Ārkārtas situācijās atslēdziet vadības ierīci strāvas padevi, aktivizējot galveno slēdzi, atvienojot tīkla kontaktspraudni no elektrotīkla vai nospiediet sarkano taustiņu **Avārijas izslēgšana**, ja tāds ir uzstādīts.

### 6 Pārbaude un apkope

 <b>BRĪDINĀJUMS</b>
<p><b>Vārti, kuriem netiek veikta apkope</b></p> <p>Ja vārti regulāri netiek pārbaudīti un tiem netiek veikta regulāra tehniskā apkope, pastāv savainojumu un bojājumu gūšanas risks. Bez tam savu spēku zaudē arī vārtu ekspluatācijas garantija.</p> <ul style="list-style-type: none"> <li>▶ Veiciet regulāru vārtu pārbaudi un tehnisko apkope atbilstoši šajā instrukcijā sniegtajām norādēm vai arī uzticiet to veikt ražotāja servisa centra darbiniekiem.</li> </ul>

**⚠ BĪSTAMI****Tikla spriegums**

Saskaroties ar tīkla spriegumu, pastāv nāvējoša strāvas trieciena gūšanas risks.

- Pirms jebkādu elektrodarbu veikšanas pie iekārtas, pārtrauciet tai sprieguma padevi un nodrošiniet to pret nesankcionētu ieslēgšanos.

**⚠ BRĪDINĀJUMS****Vārtu kustības**

Darbinot vārtus pārbaudes vai apkopes veikšanas laikā, pastāv savainojumu un bojājumu gūšanas risks.

- Pirms jebkādu darbu veikšanas pie iekārtas pārtrauciet tai sprieguma padevi un nodrošiniet to pret nesankcionētu ieslēgšanos.
- Deaktivizējiet vārtu avārijas atvēršanas sviru / rokturi, ja tāda / tāda ir uzstādīts / -a.

**⚠ BRĪDINĀJUMS****Krītošas detaļas**

Demontāžas laikā var nokrist detaļas un savainot cilvēkus vai nodarīt bojājumus priekšmetiem.

**Apšuvums (uzstādāms pēc izvēles)**

- Pirms montāžas apšuvumu vispirms nofiksējiet (piem. ar dakšu iekrāvēju).

**Vārpsta**

- Pirms piedziņas demontāžas vispirms nofiksējiet vārpstu (piem. ar dakšu iekrāvēju).

Pārbaudiet vārtus un veiciet to apkopi pats tikai tadā gadījumā, ja esat speciālists (kompetenta persona atbilstoši standartam EN 12635). Tas nozīmē, ka jums ir atbilstoša izglītība, speciālās zināšanas un praktiska pieredze, lai pareizi un droši veiktu vārtu pārbaudi un apkopi.

Veicot demontāžu, ievērojiet visus spēkā esošos darba drošības noteikumus.

Pamatā mēs rekomendējam vārtu pārbaudi un apkopi uzticēt ražotāja servisa centram.

Ātrgaitas vārtiem ir nepieciešama minimāla tehniskā apkope. Normālos ekspluatācijas apstākļos visas gultņu vietas, ieskaitot pārvalu, ir ieeļļoti visam to kalpošanas laikam un apkope tiem nav nepieciešama.

**6.1 Apkopes intervāli**

Saskaņā ar direktīvām, kas attiecas uz elektriski darbināmiem logiem, durvīm un vārtiem (ASR A1.7), pārbaude un apkope vārtiem ir noteikta vienu reizi gadā, ievērojot pēc iespējas vienādu laika intervālu.

Atkarībā no vārtu izmēra un ikgadējā noslogojuma iesakām ievērot šādus apkopes intervālus:

**Ļoti augsta noslogojuma gadījumā (> 50 000 darbības cikli gadā):**

Darbības elementu apkope reizi pusgadā:

- elektropiedziņai un bremzei
- visiem skrūvsavienojumiem
- gala pozīciju atslēdzējam / palēninātās kustības pārslēdzējam
- vadības ierīcei / impulsu devējam

**Maza noslogojuma gadījumā:**

Apkope reizi gadā kopā ar noteikto nelaimes gadījumu novēršanas noteikumu pārbaudi (atbilstoši ASR A1.7).

- Reizi pusgadā pārbaudiet D ierīču (fotobarjeras / gaismas režģa) darbību.

**6.2 Dilstošās detaļas**

Tālāk minētajām dilstošajām detaļām spēkā ir norādītie maksimāli pieņemamie cikli vai attiecīgi slodzes maiņa (ja tādi eksistē):

Dilstošās detaļas	Cikli	Laika posms
Piedziņa (60 % ED)	500 000	2 gadi
līdz 30.04.2017.		
Piedziņa (caurules motors; 60 % ED)	350 000	2 gadi
no 01.05.2017 / V 4015 SEL Alu-R		
Piedziņa (caurules motors; 60 % ED) <sup>1)</sup>	700 000	2 gadi
Bremze	250 000	2 gadi
FunkCrash slēdža akumulators	-/-	2 gadi
Ēnerģijas ķēde ar kabeli	250 000	2 gadi
Atsperes	100 000	2 gadi
Auduma jostas	100 000	2 gadi
Plakanās siksnas (pretsvars, plāksnītes)	500 000	2 gadi
Vadrullīši	100 000	2 gadi
UPS akumulators	-/-	1,5 gadi
UPS akumulators (vārti RW)	-/-	1 gads
Šarnīri	100 000	2 gadi
Blīvējumi / blīvējošās līstes	150 000	2 gadi
Vērtne (V 3515 Iso + V 4015 Iso L)	150 000	2 gadi
Gaismas režģis / fotobarjeras	-/-	2 gadi

1) Iepriekš minētajiem darbības cikliem ir obligāti jāmaina detaļas.

**7 Vadības ierīce**

Vadības ierīce katram vārtu pasūtījumam tiek izgatavota atsevišķi. Spēkā esošā elektroshēma un programmatūras apraksts ir novietoti komutācijas skapī.

- Pievienojiet tiem arī šīs instrukcijas elektroshēmu un programmatūras aprakstu.

Katram komutācijas skapim ir savs numurs.

- Neskaidrību gadījumos sakontaktējoties ar mums, vienmēr norādiet šo numuru.

## 8 Darbības traucējumi un kļūmju novēršana

Darbības traucējumu gadījumā vērsieties klientu apkalpošanas centrā.

### Piedziņas jauda


Darba spriegumam ir jābūt 230 V ± 5 %, resp., 400 V ± 5 %. Lielāku noviržu gadījumā ir iespējama piedziņas jaudas samazināšanās.

## 9 Tīrīšana un kopšana

Tīrīšanai izmantojiet siltu ūdeni ar neitrālu mazgāšanas līdzekli, kam nepiemīt abrazīva iedarbība (mājsaimniecībā izmantojamu mazgāšanas līdzekli, pH 7, Isopropanol 99,9 %).

Tīrīšanai izmantot tikai mīksta auduma vai speciālās logu tīrāmās drānas. Netīras un putekļainas vietas noskalot ar ūdeni.



## 10 Paplašināšana un pārbūve

 <b>BRĪDINĀJUMS</b>	
<b>Nesertificētas detaļas</b>	
Nesertificētas detaļas var radīt vārtu konstrukcijas pārslodzi. Tā rezultātā var iegūt dzīvībai bīstamus savainojumus.	
▶ Izmantojiet tikai ražotāja sertificētas detaļas.	

Vārtu iekārtas paplašināšanu vai pārbūvi drīkst veikt tikai ar ražotāja atļauju.

Garantija un atbildība par izstrādājuma nekaitīgumu zaudē savu spēku, ja tiek veiktas ar ražotāju nesaskaņotas izmaiņas vārtu iekārtas konstrukcijā.

## 11 Demontāža un utilizācija

 <b>BRĪDINĀJUMS</b>	
	<b>Krītošas detaļas</b>
	Demontāžas laikā var nokrist detaļas un savainot cilvēkus vai nodarīt bojājumus priekšmetiem.
	<b>Apšuvums (uzstādāms pēc izvēles)</b>
	▶ Pirms montāžas apšuvumu vispirms nofiksējiet (piem. ar dakšu iekrāvēju).
	<b>Vārpsta</b>
	▶ Pirms piedziņas demontāžas vispirms nofiksējiet vārpstu (piem. ar dakšu iekrāvēju).

Demontējiet vārtus tikai tādā gadījumā, ja esat speciālists (kompetenta persona atbilstoši standartam 12635). Tas nozīmē, ka jums ir atbilstoša izglītība, speciālās zināšanas un praktiska pieredze, lai pareizi un droši veiktu vārtu demontāžu.

Veicot demontāžu, ievērojiet visus spēkā esošos darba drošības noteikumus.

### Lai veiktu vārtu demontāžu un utilizāciju:

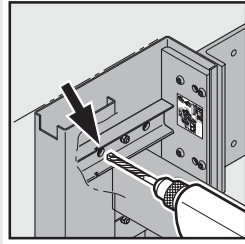
1. Atveriet vārtus līdz galam.
2. Uzmanīgi paceliet vārtus ar avārijas rokas sviru.
3. Vairākas reizes aptiniet vārtu vērtņi, resp., apšuvumu ar noturīgu līmlenti (piem. iepakojšanas līmlenti) tā, lai tas vairs nevarētu atļīties vaļā.
4. Iekrāvēju ar piemērotu paleti, resp., piemērotu balsta statni iebrauciet zem vārpstas tā, lai vārpsta piegultu paletei, resp., balsta statnim.
5. Atlaidiet guļņā un piedziņas stiprinājumu.
6. Noceliet vārpstu, resp., augšējo daļu ar piedziņu no konsolēm.

### IEVĒROT PIESARDZĪBU!

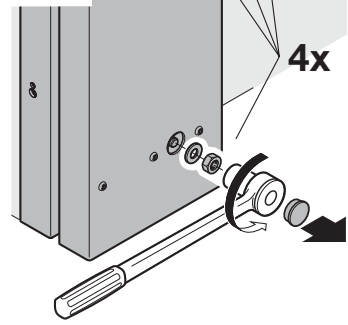
#### Piedziņa var noslidēt no tinuma veltņa tapas.

- ▶ Nolaišanas laikā turiet vārpstu, resp., augšējo daļu horizontālā stāvoklī.
7. Demontējiet vadslīdes, resp., sānu daļas un konsoles.
  8. Izjauciet vārtus pa detaļām un utilizējiet tās atbilstoši noteikumiem.

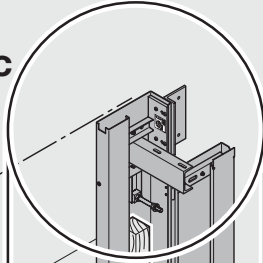
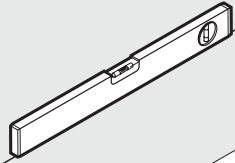
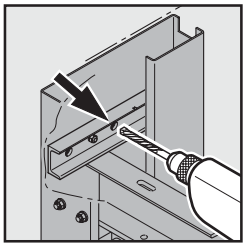
1



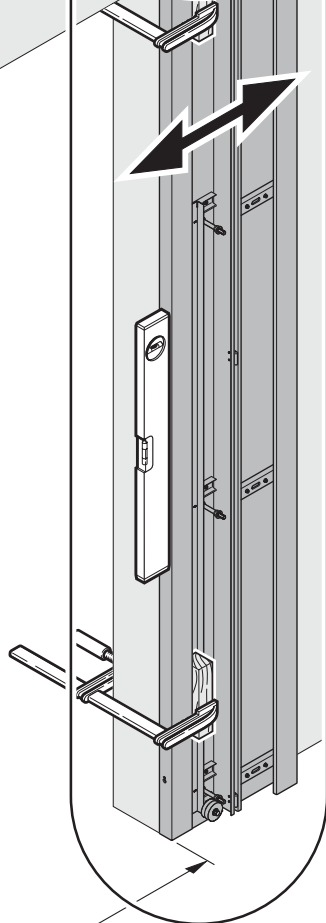
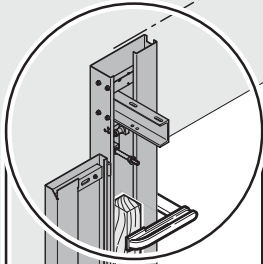
1.1



1.2a - 1.2c



1.2a - 1.2c

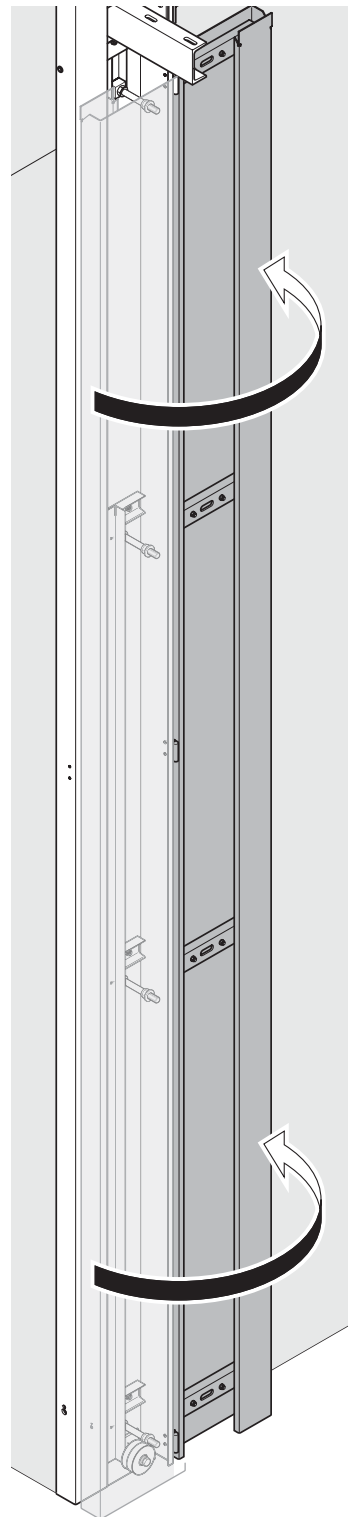


1.1

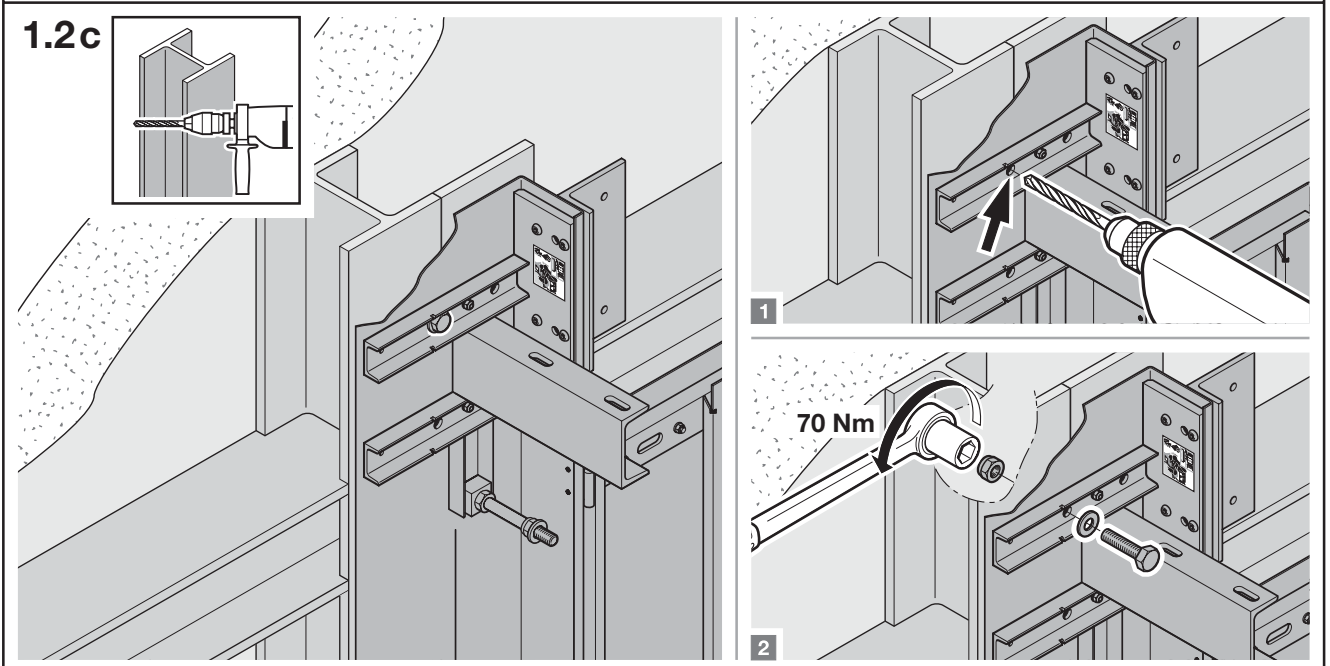
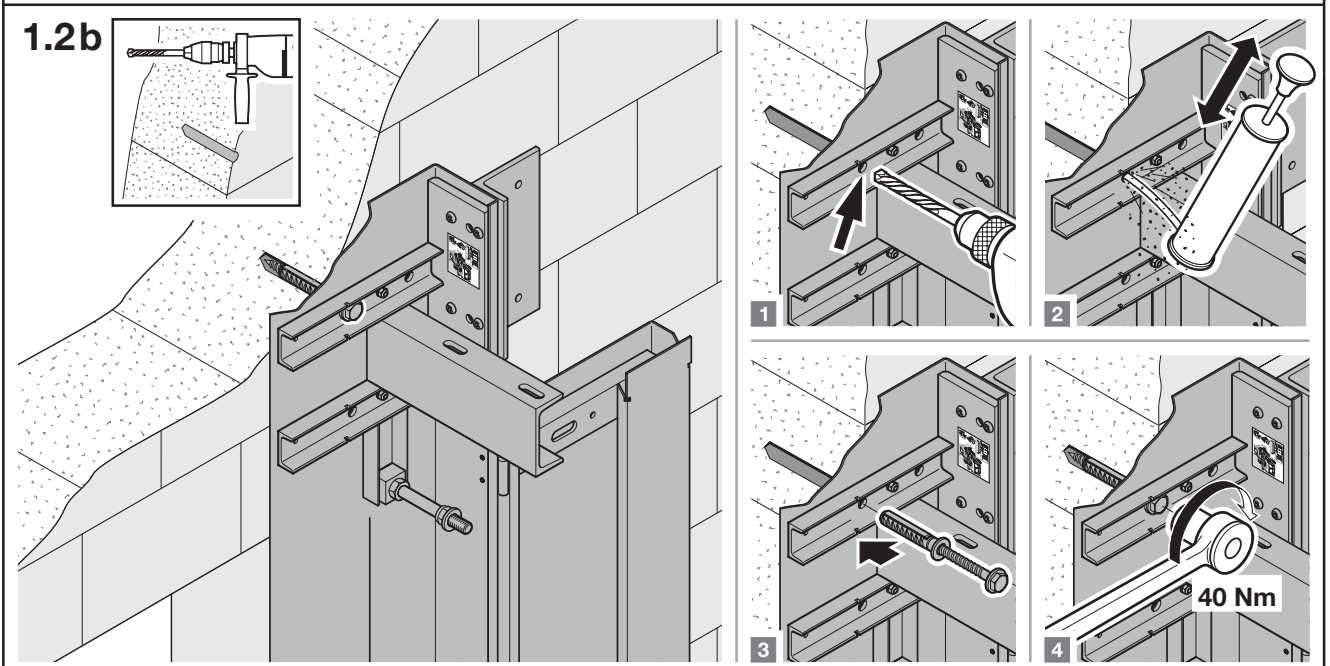
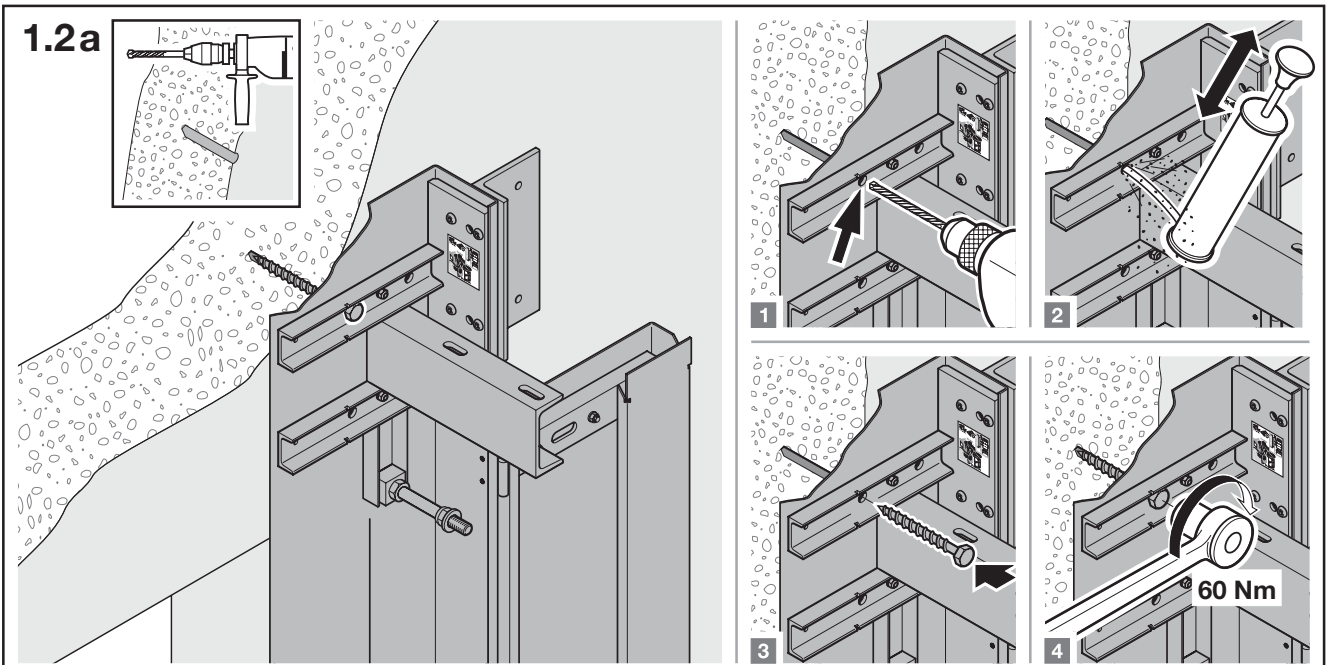
LDB

1.1

1



2



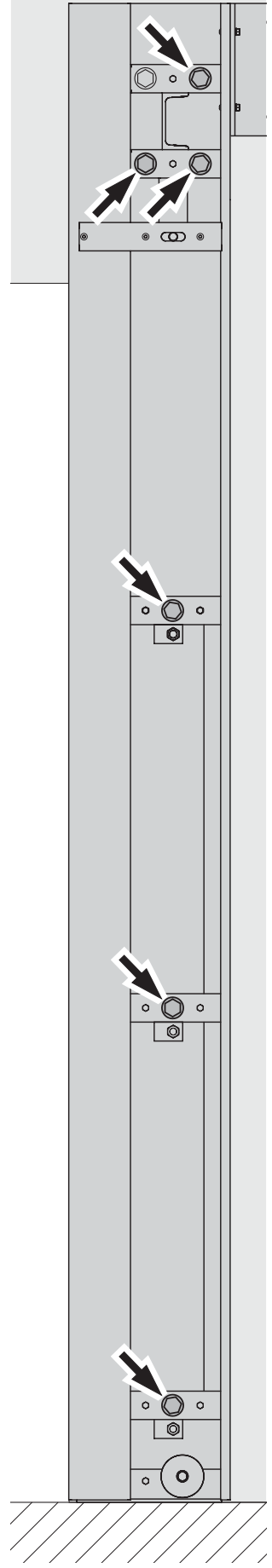
2



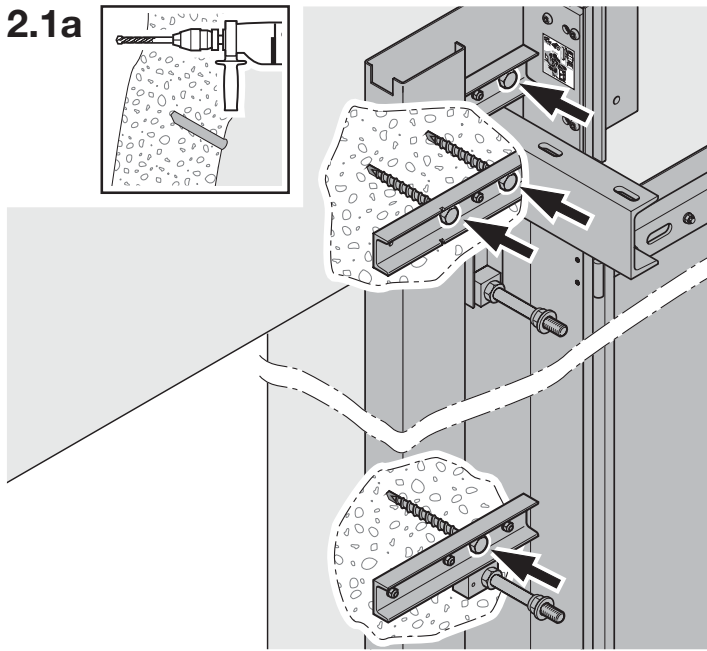
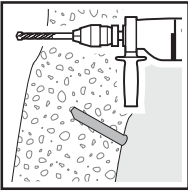
2.1a-2.1c

2.1a-2.1c

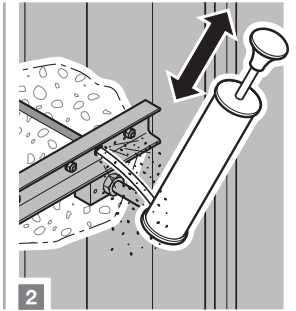
LDB



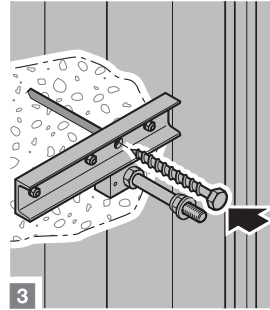
2.1a



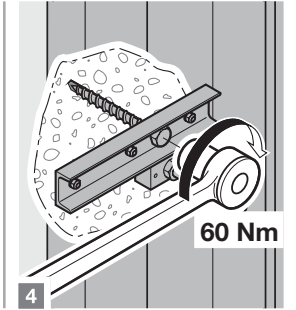
1



2



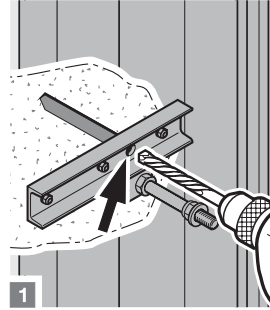
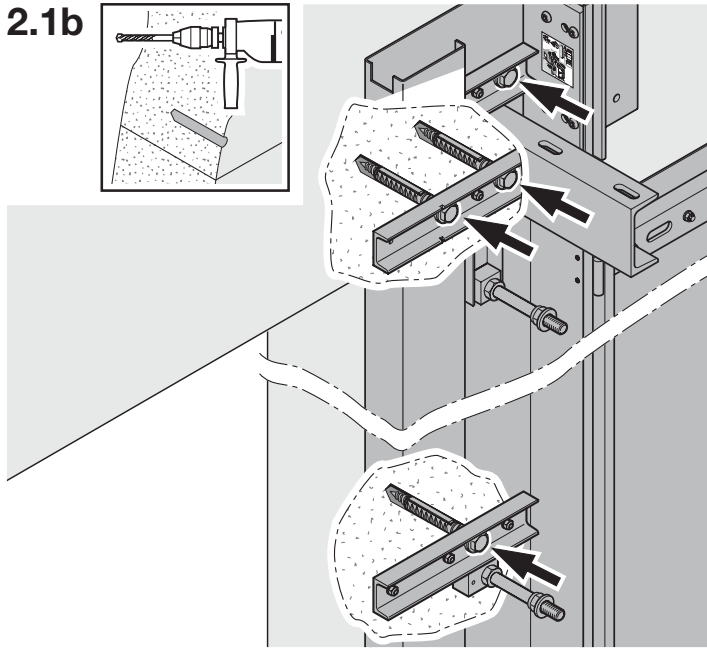
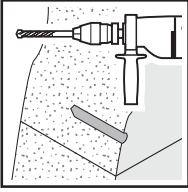
3



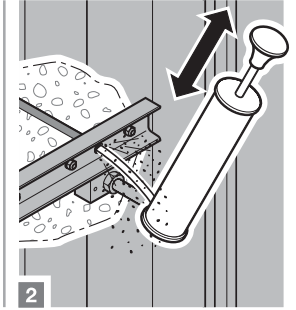
4

60 Nm

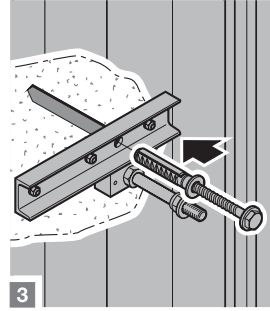
2.1b



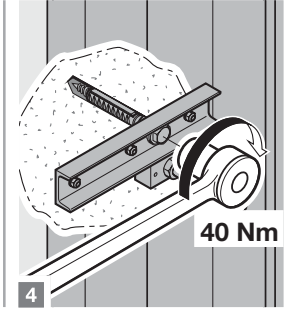
1



2



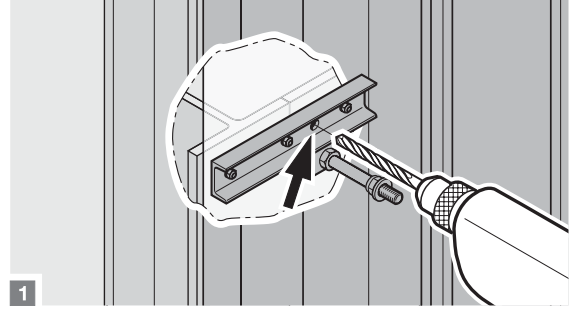
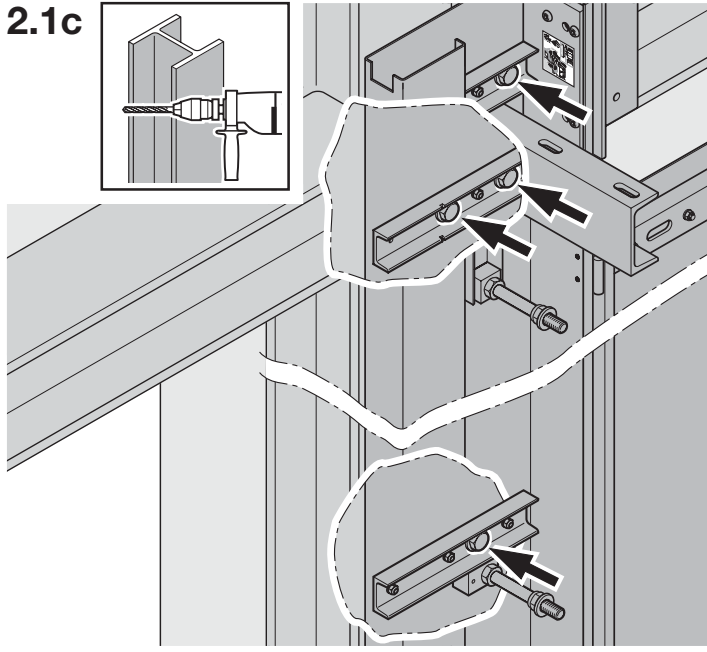
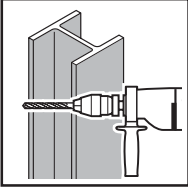
3



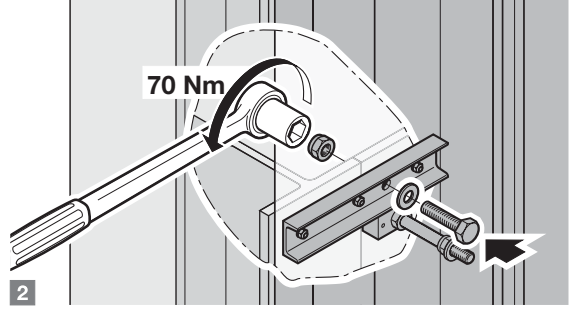
4

40 Nm

2.1c



1



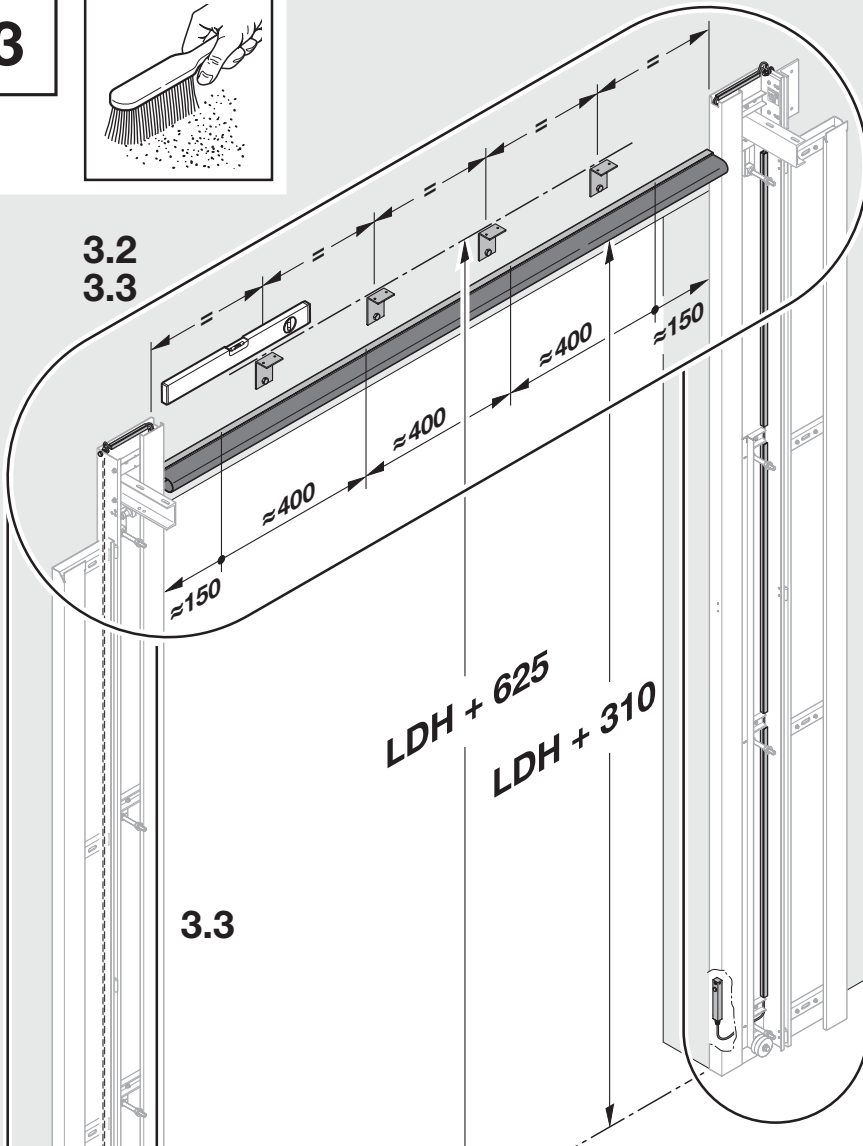
2

70 Nm

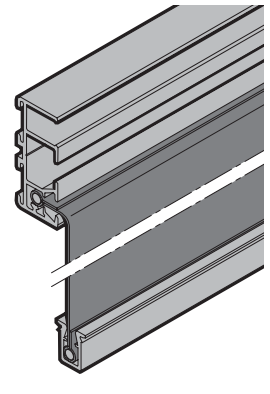
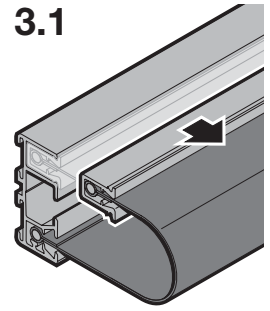
3



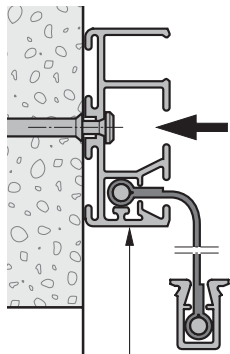
3.2  
3.3



3.1

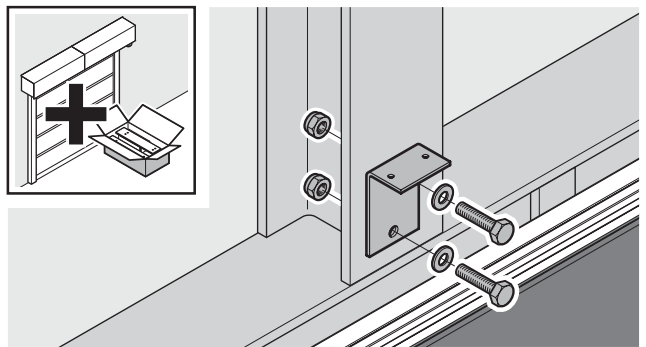
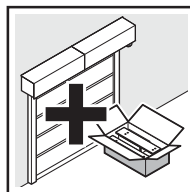
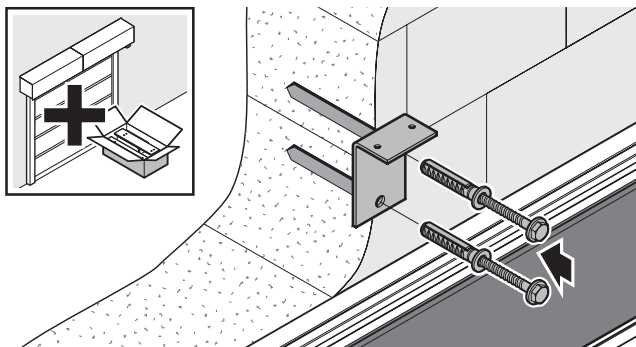
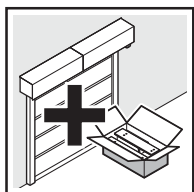
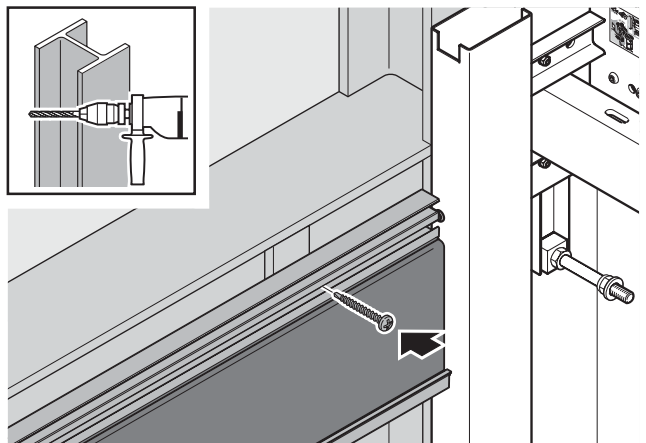
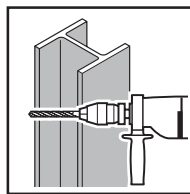
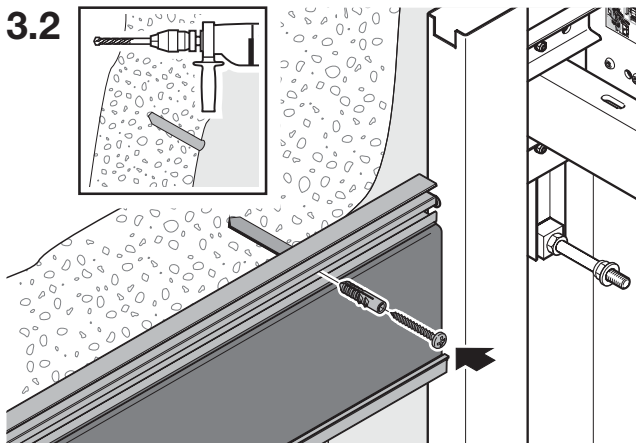
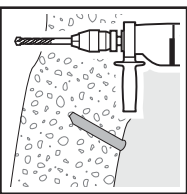


3.3

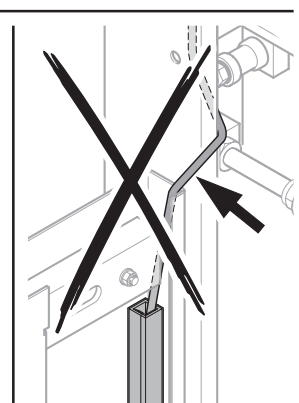
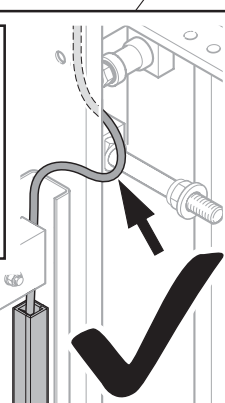
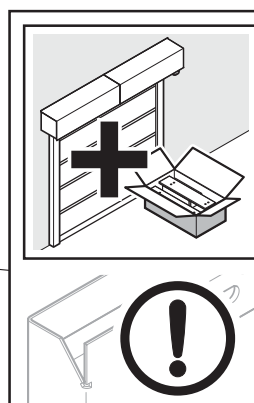
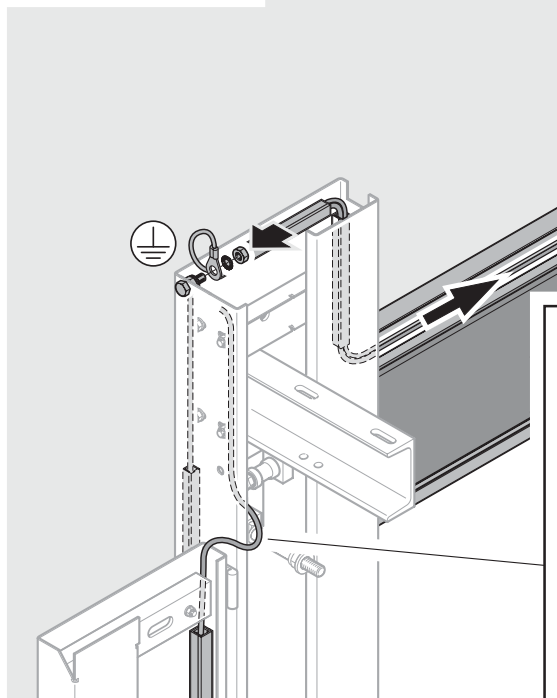
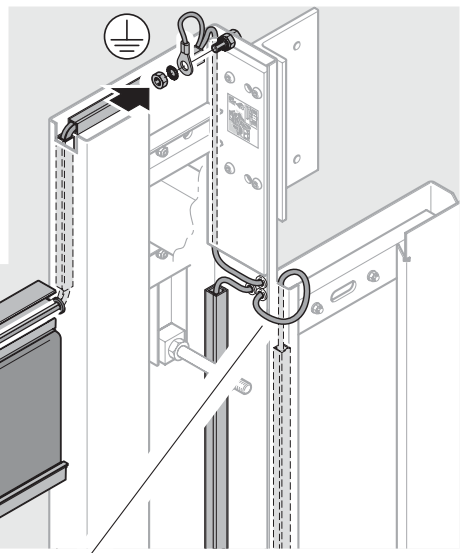
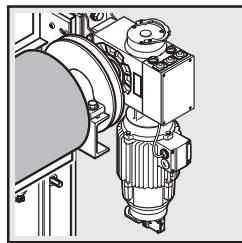
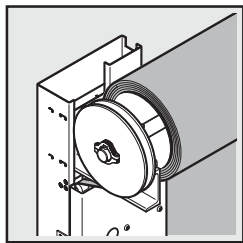
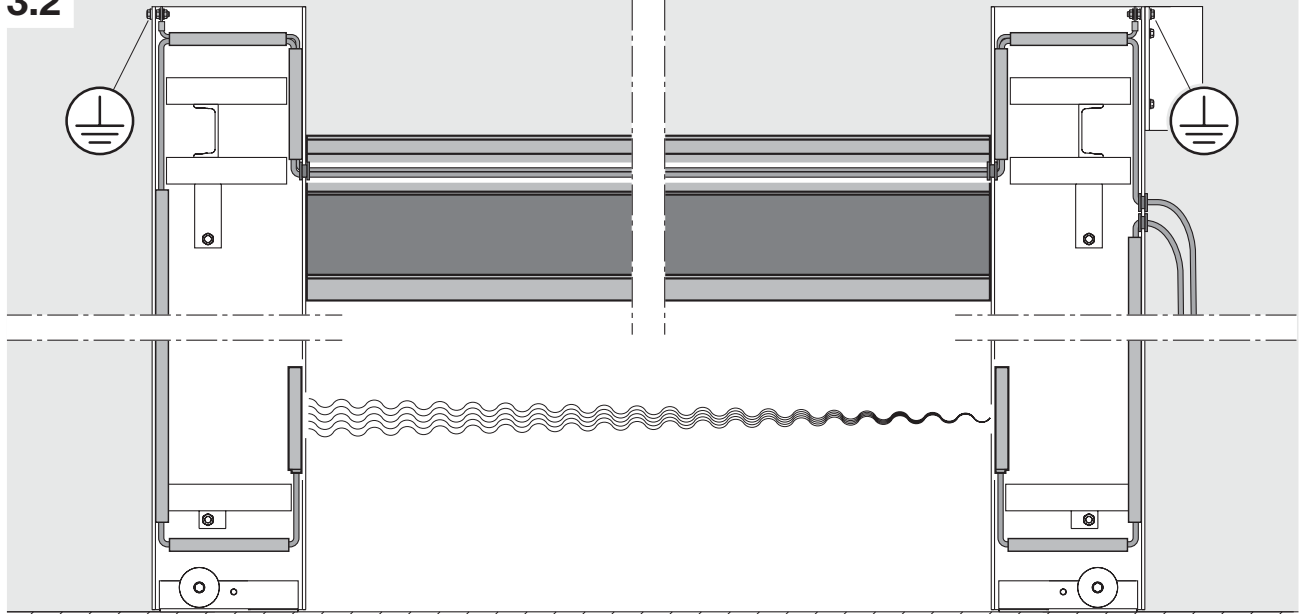


LDH + 310

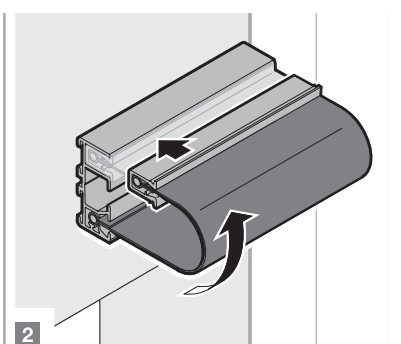
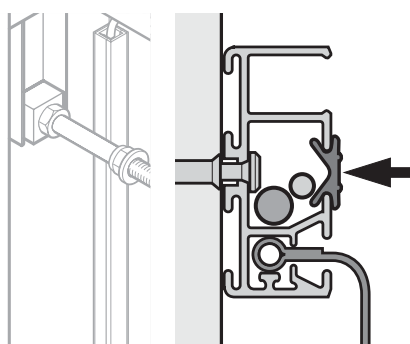
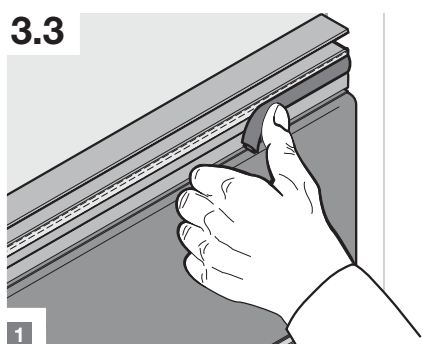
3.2

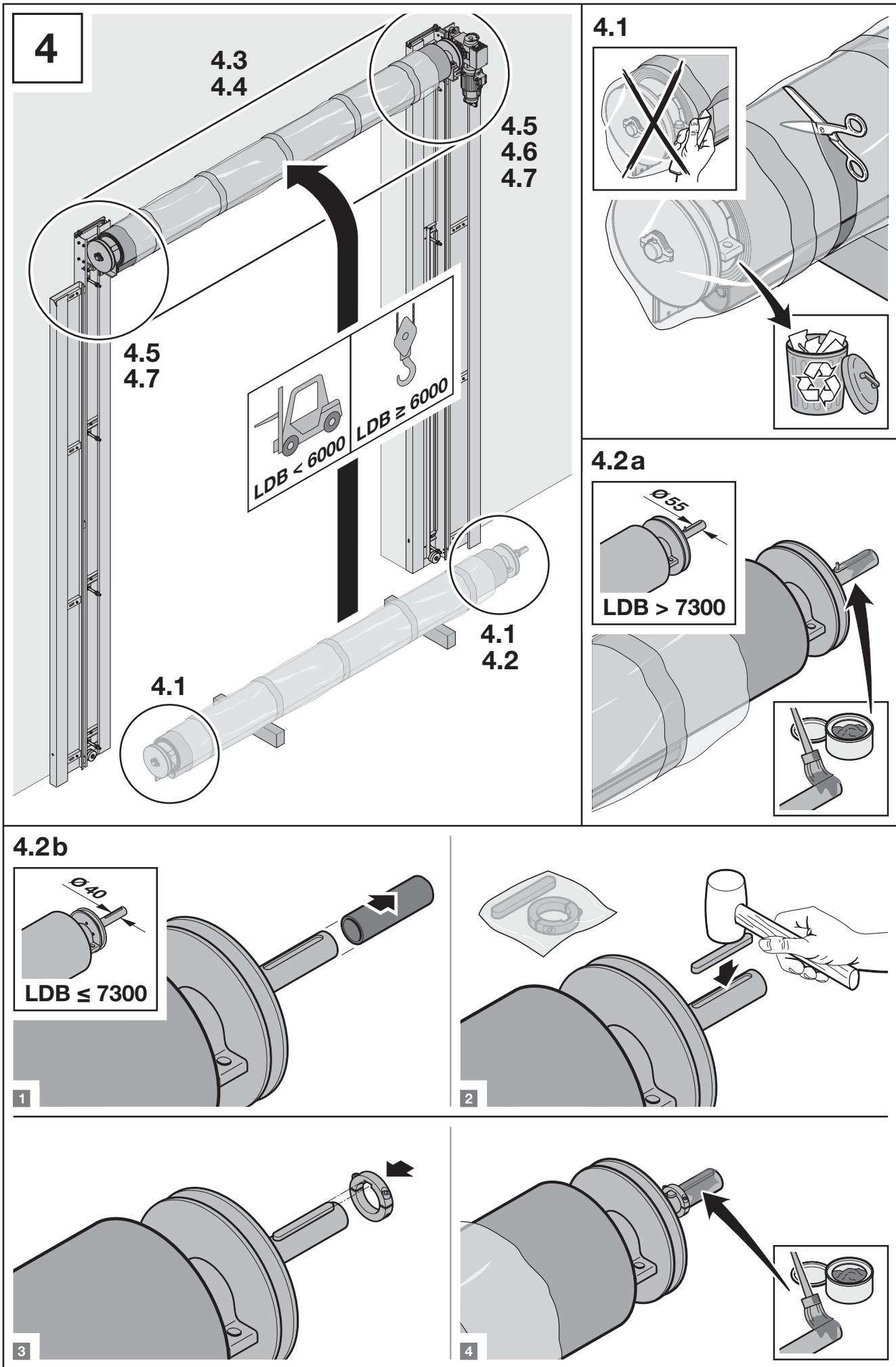


3.2

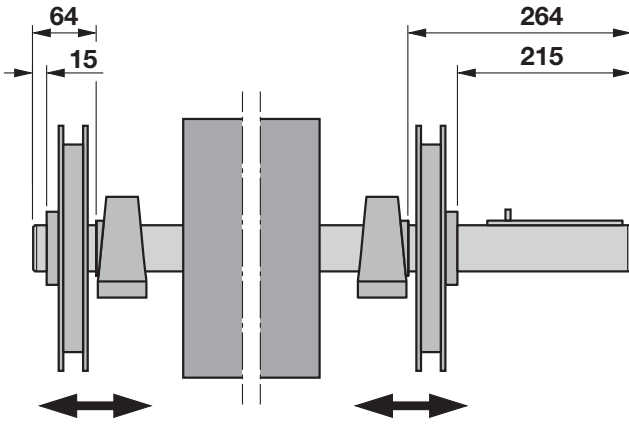
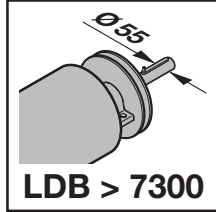
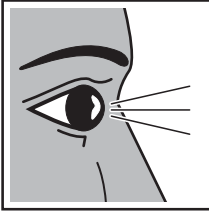


3.3

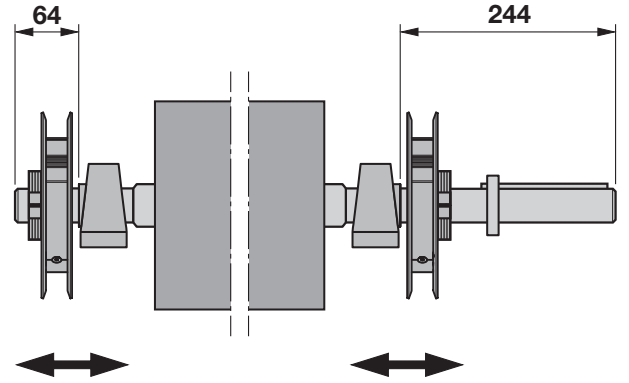
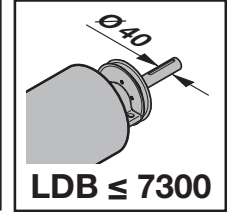
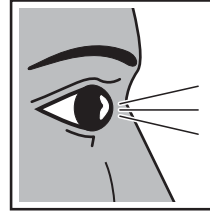




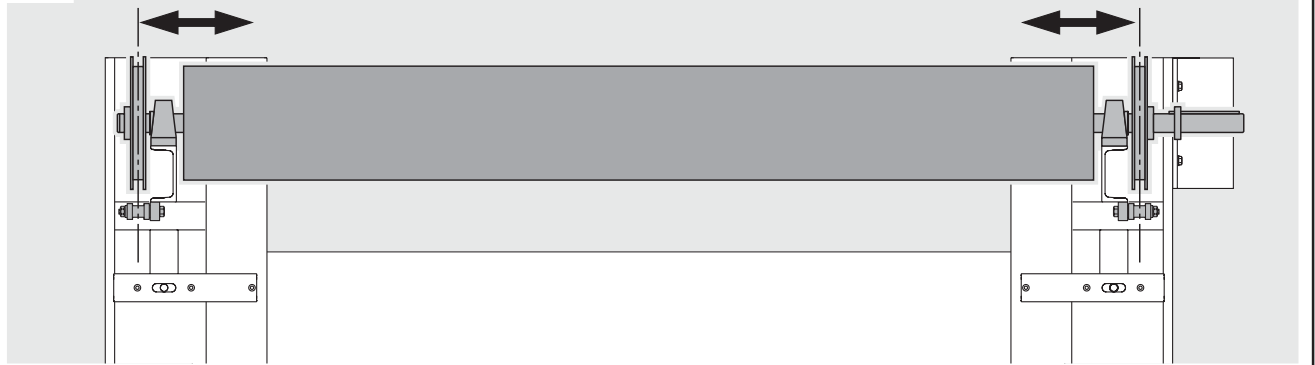
4.3a



4.3b

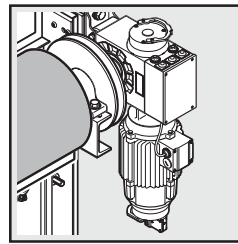
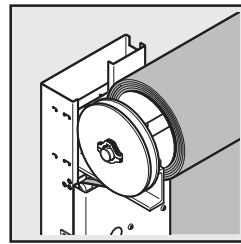


4.4

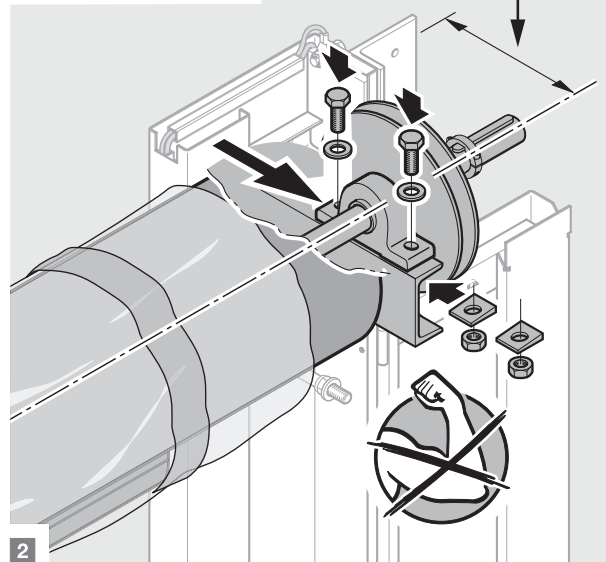
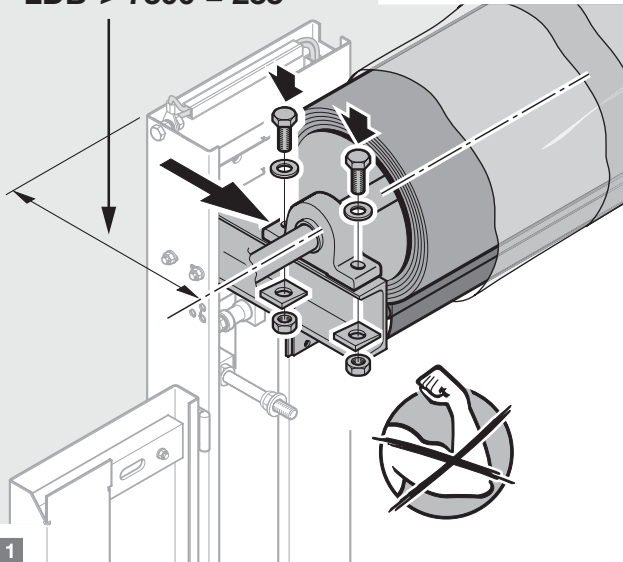


4.5

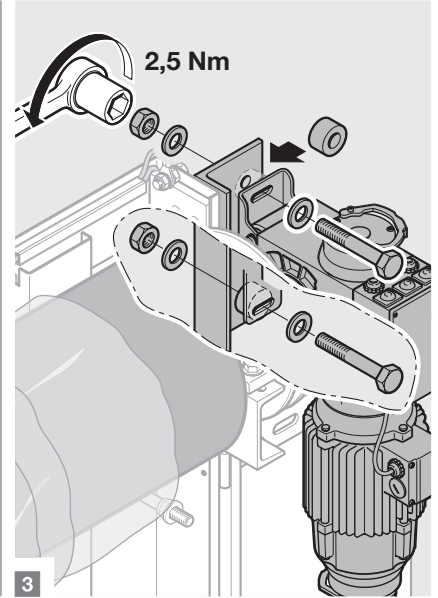
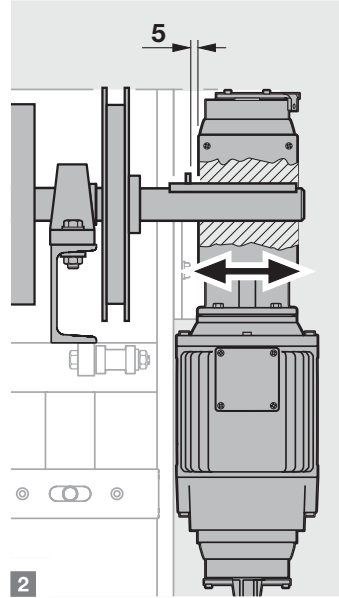
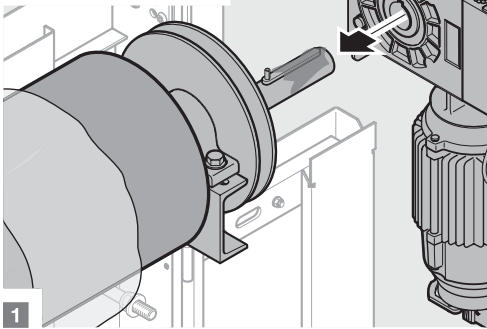
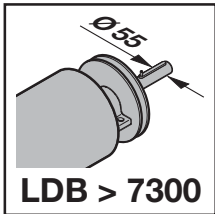
LDB ≤ 7300 = 185  
LDB > 7300 = 235



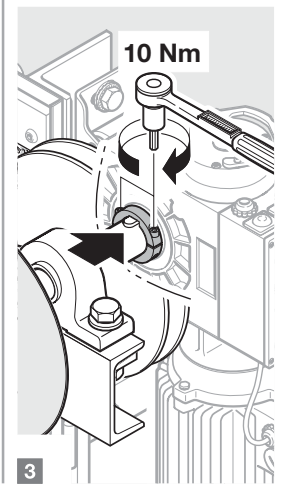
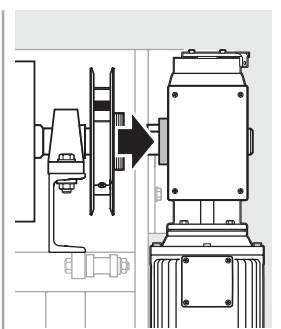
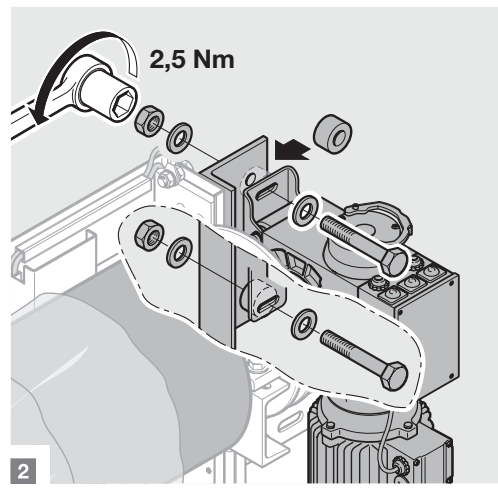
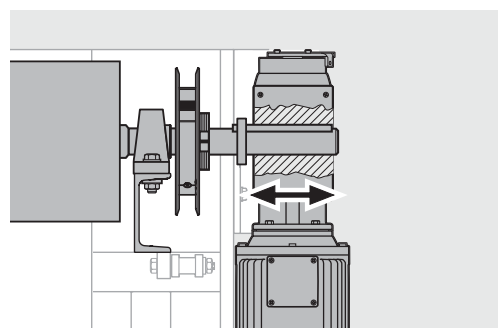
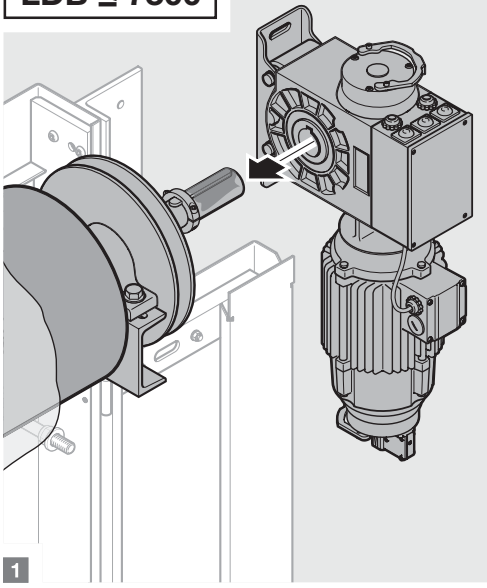
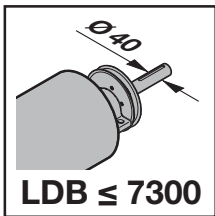
LDB ≤ 7300 = 150  
LDB > 7300 = 165



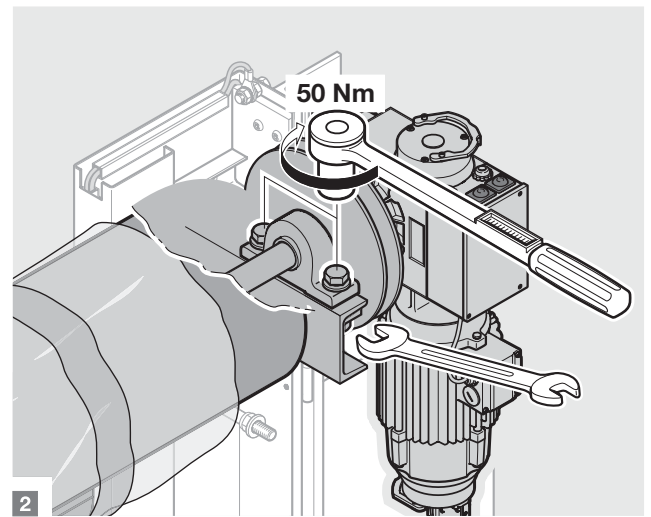
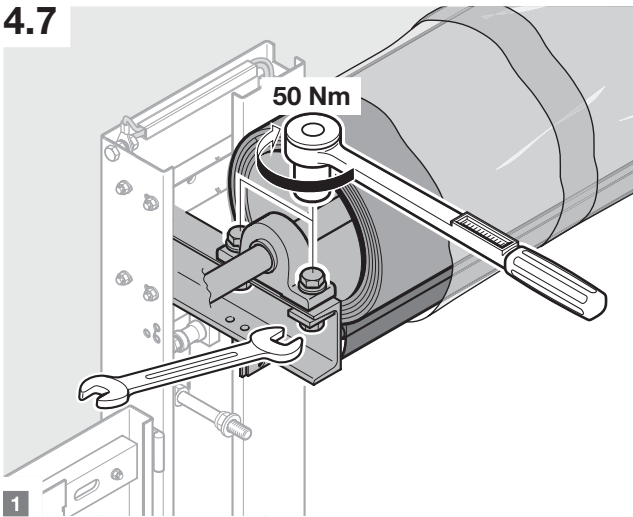
### 4.6a



### 4.6b



### 4.7

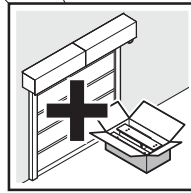


5

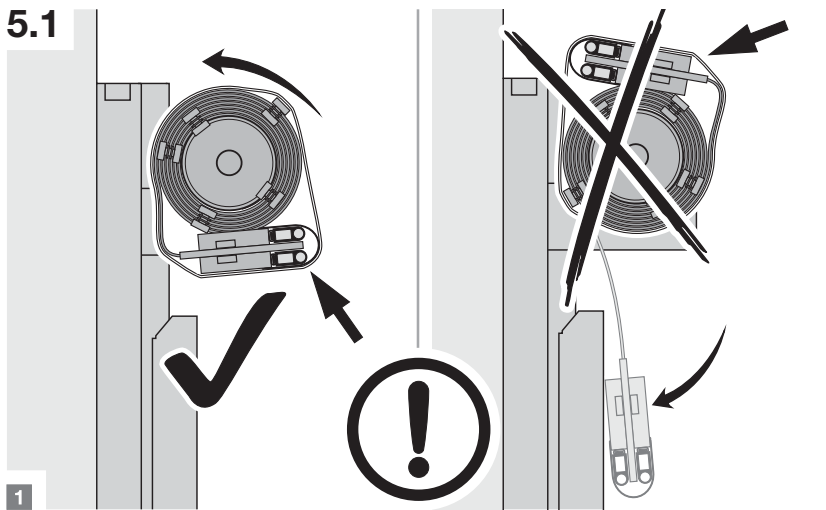
5.1-5.4

5.2

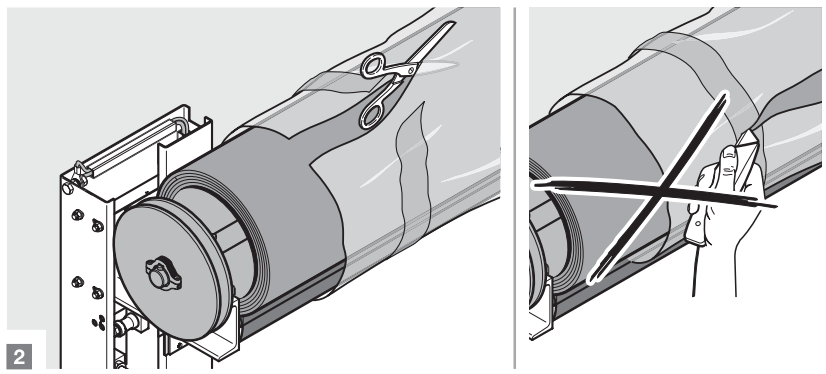
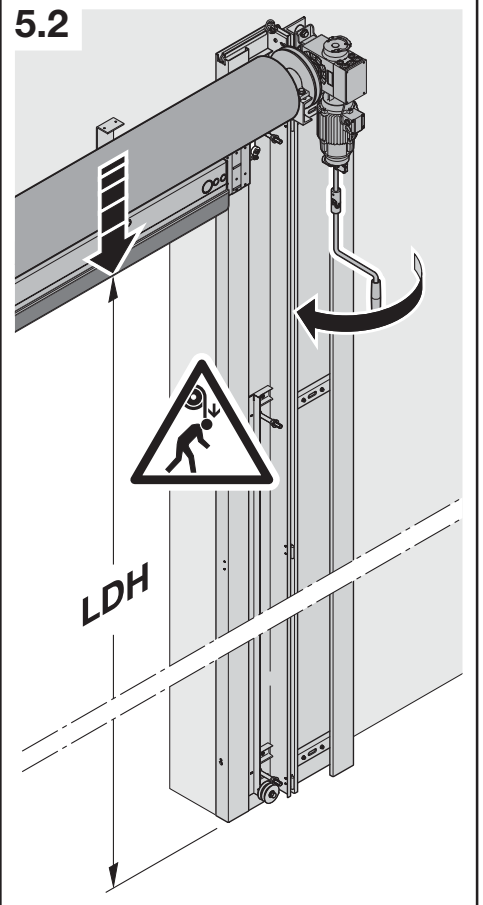
5.5

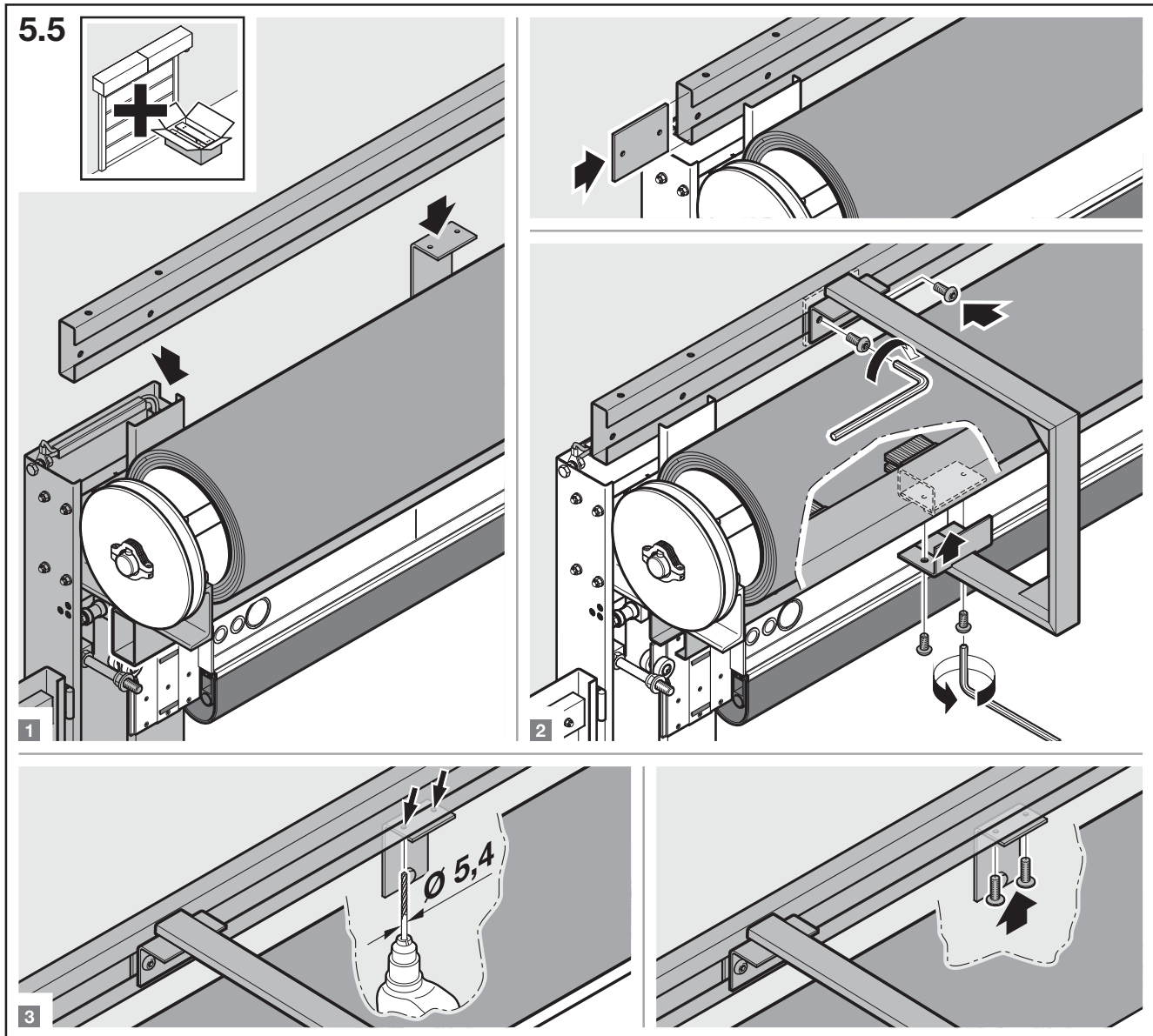
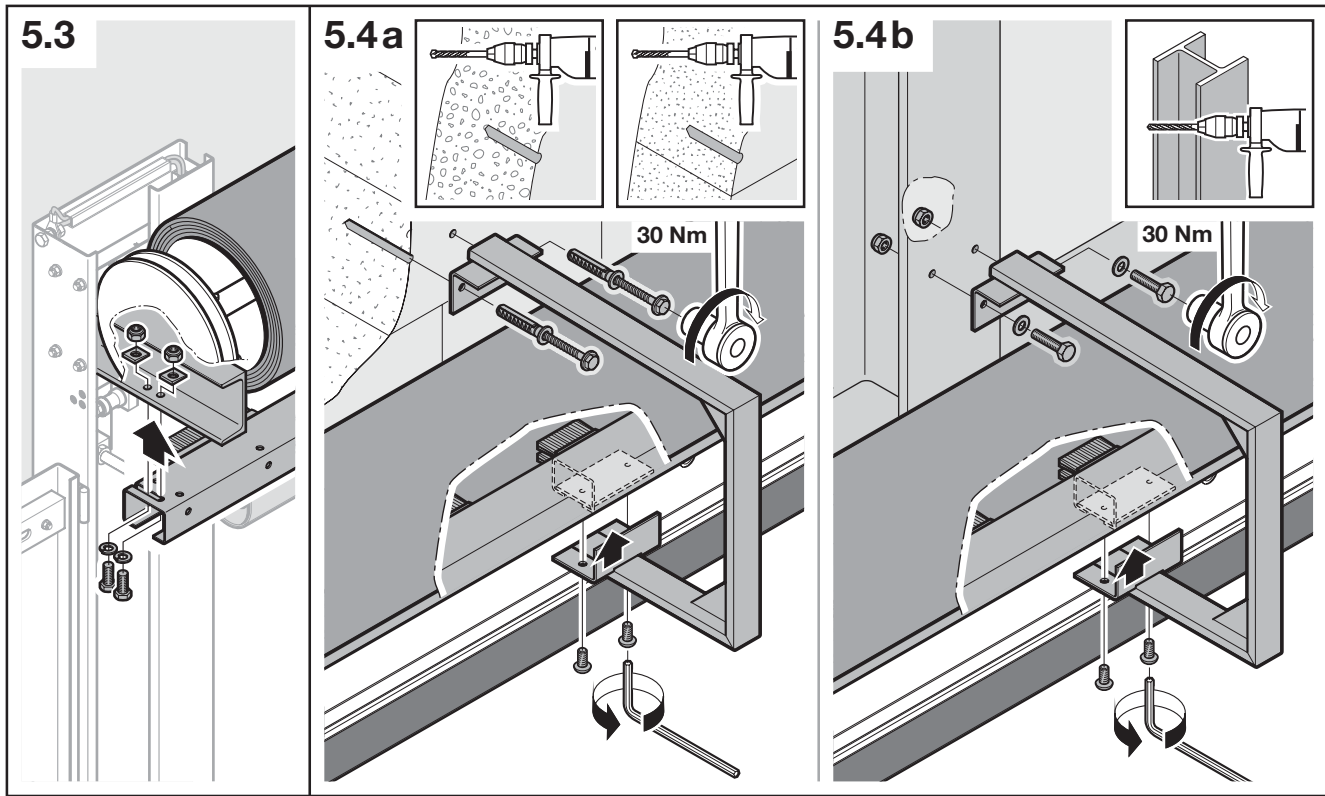


5.1



5.2





6

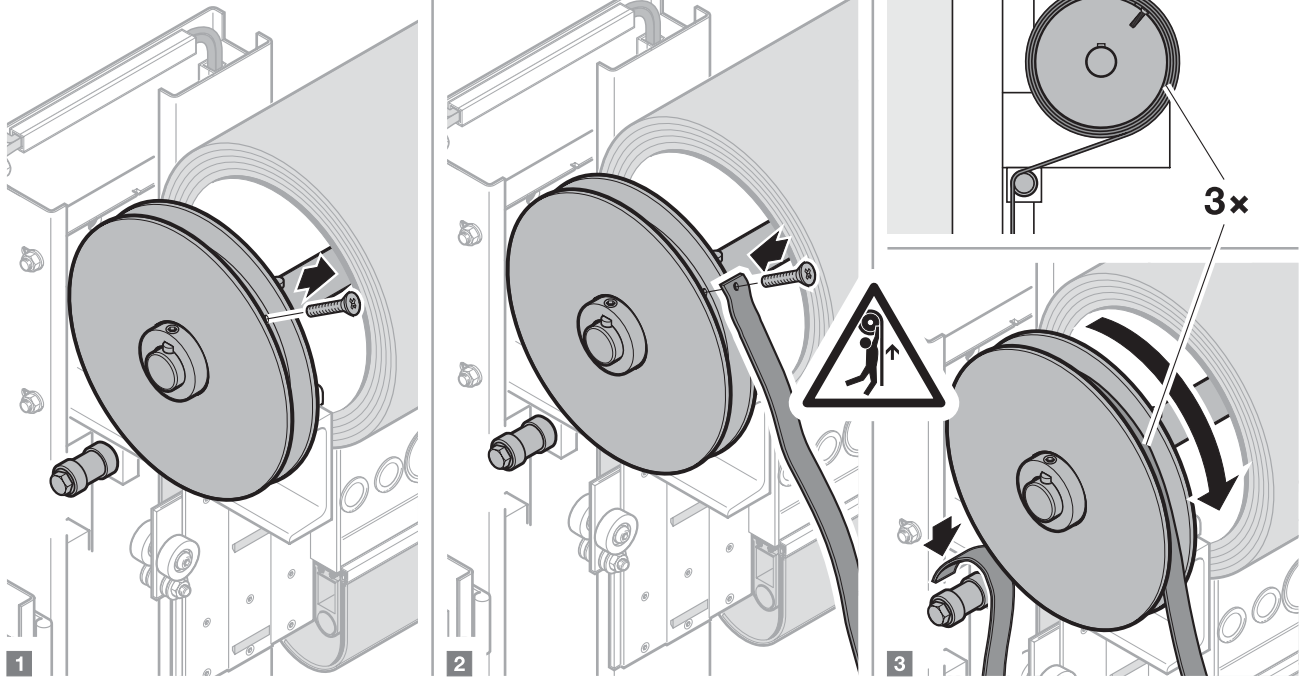
6.2-6.4

6.2-6.4

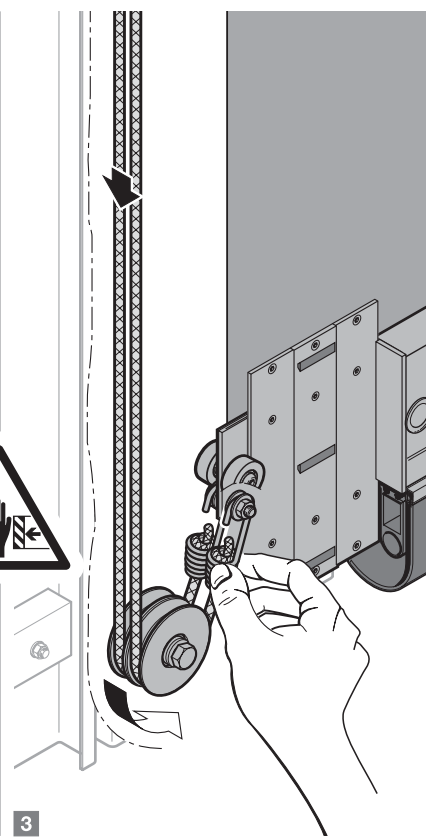
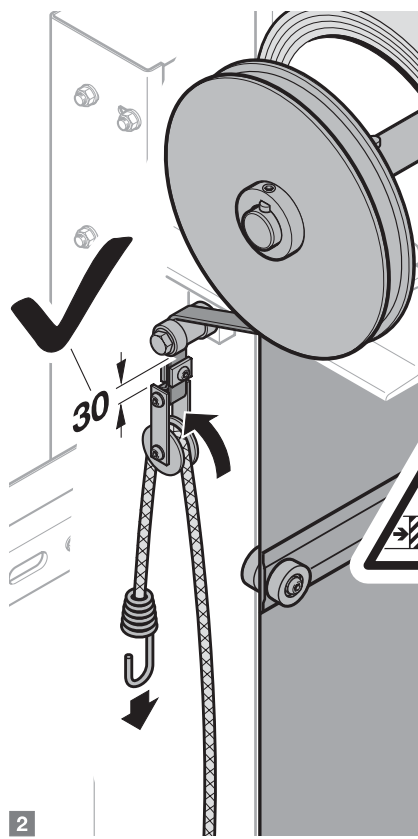
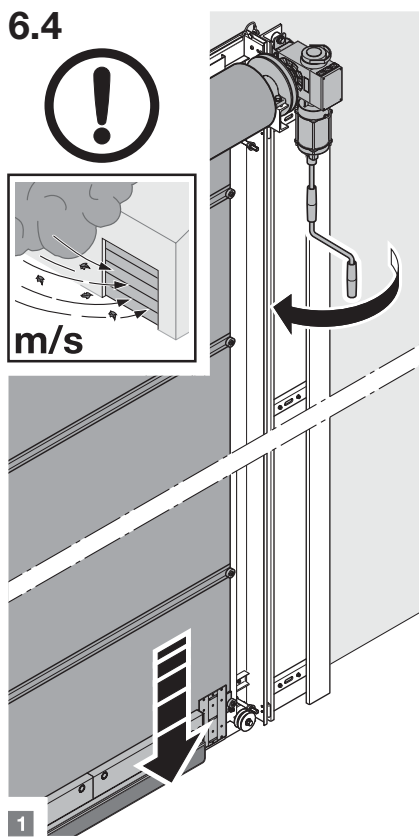
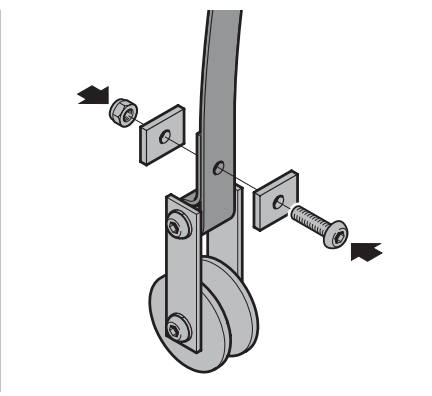
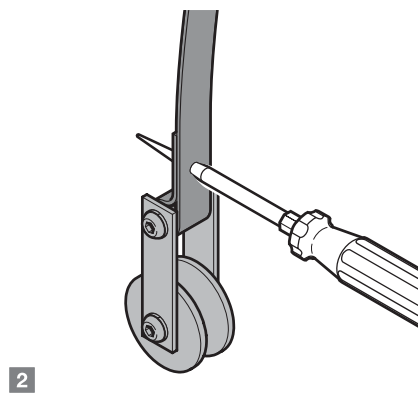
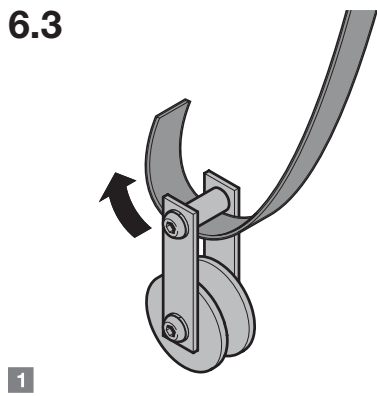
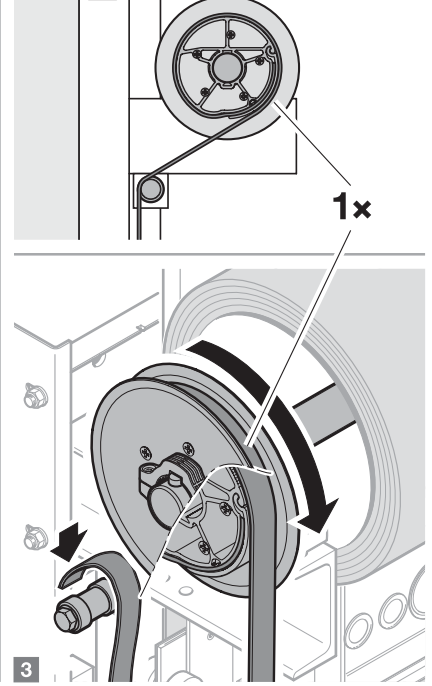
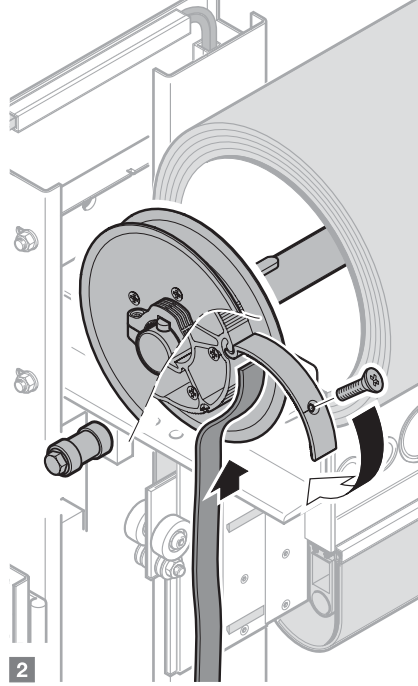
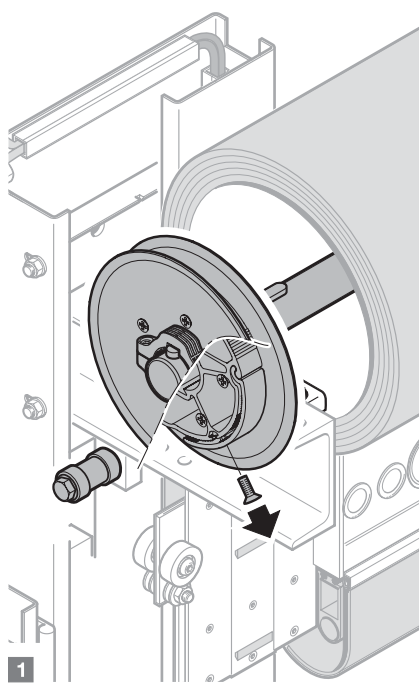
6.1

LDH

6.2a LDB > 7300



6.2b LDB ≤ 7300

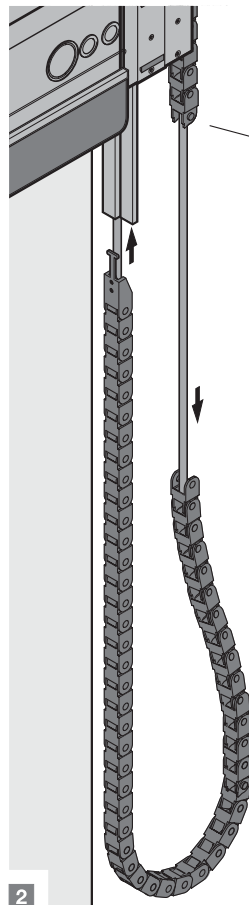
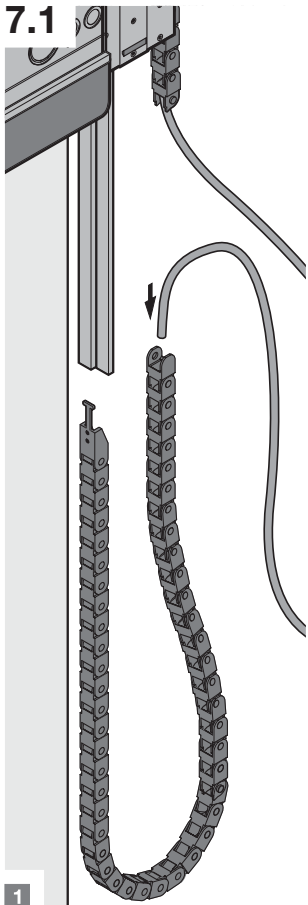


7

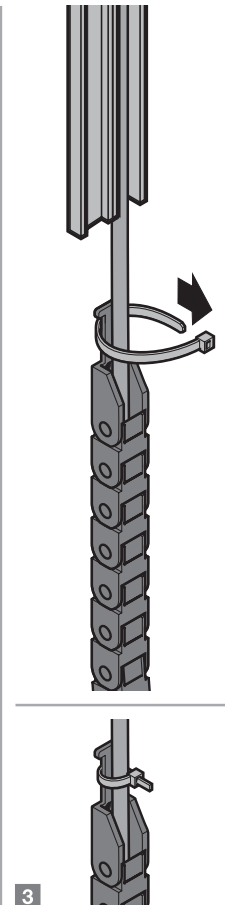
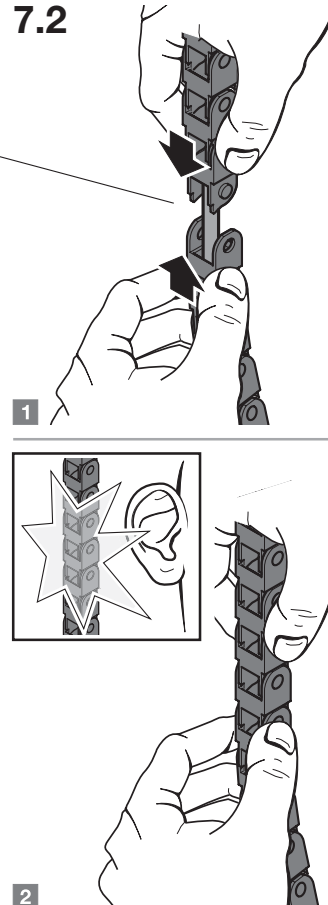
7.4

7.1-7.4

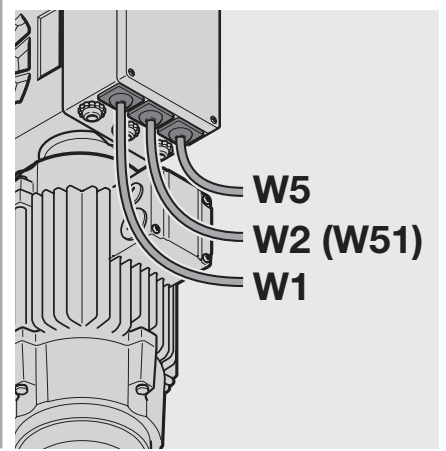
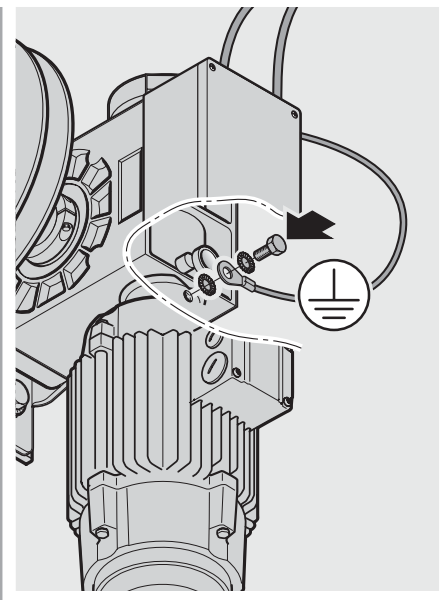
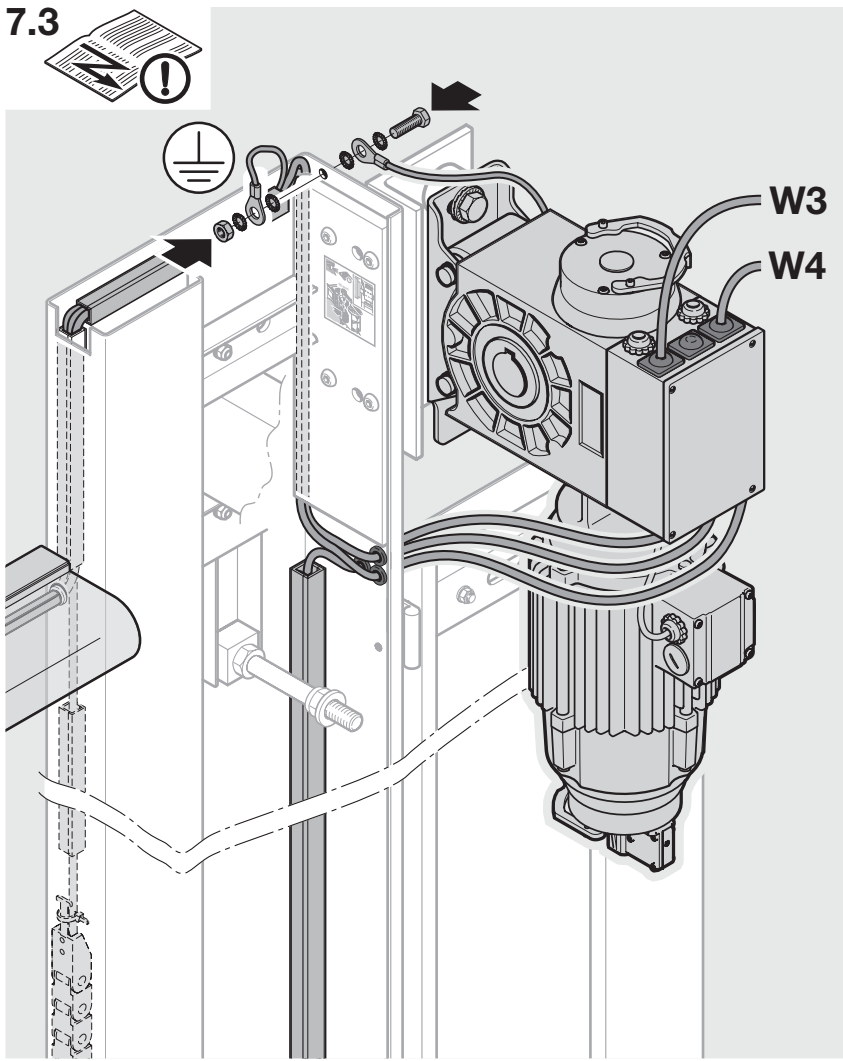
7.1



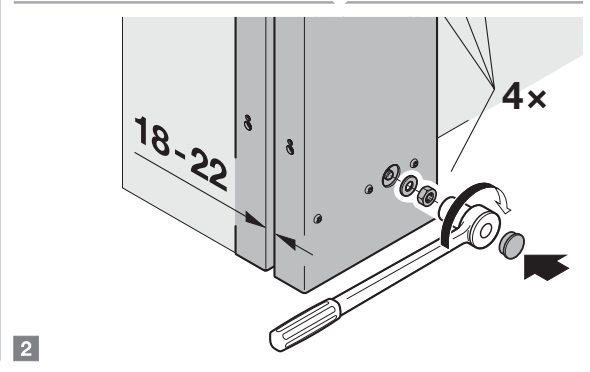
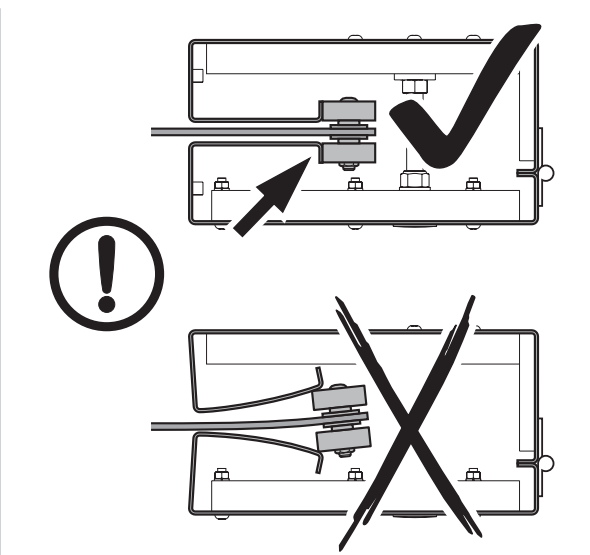
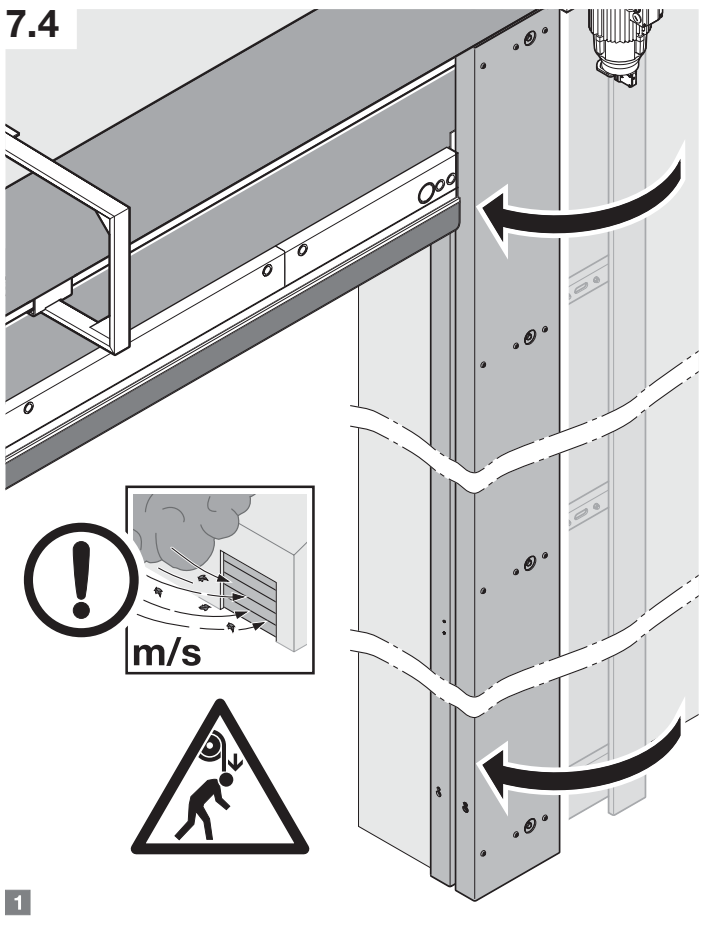
7.2



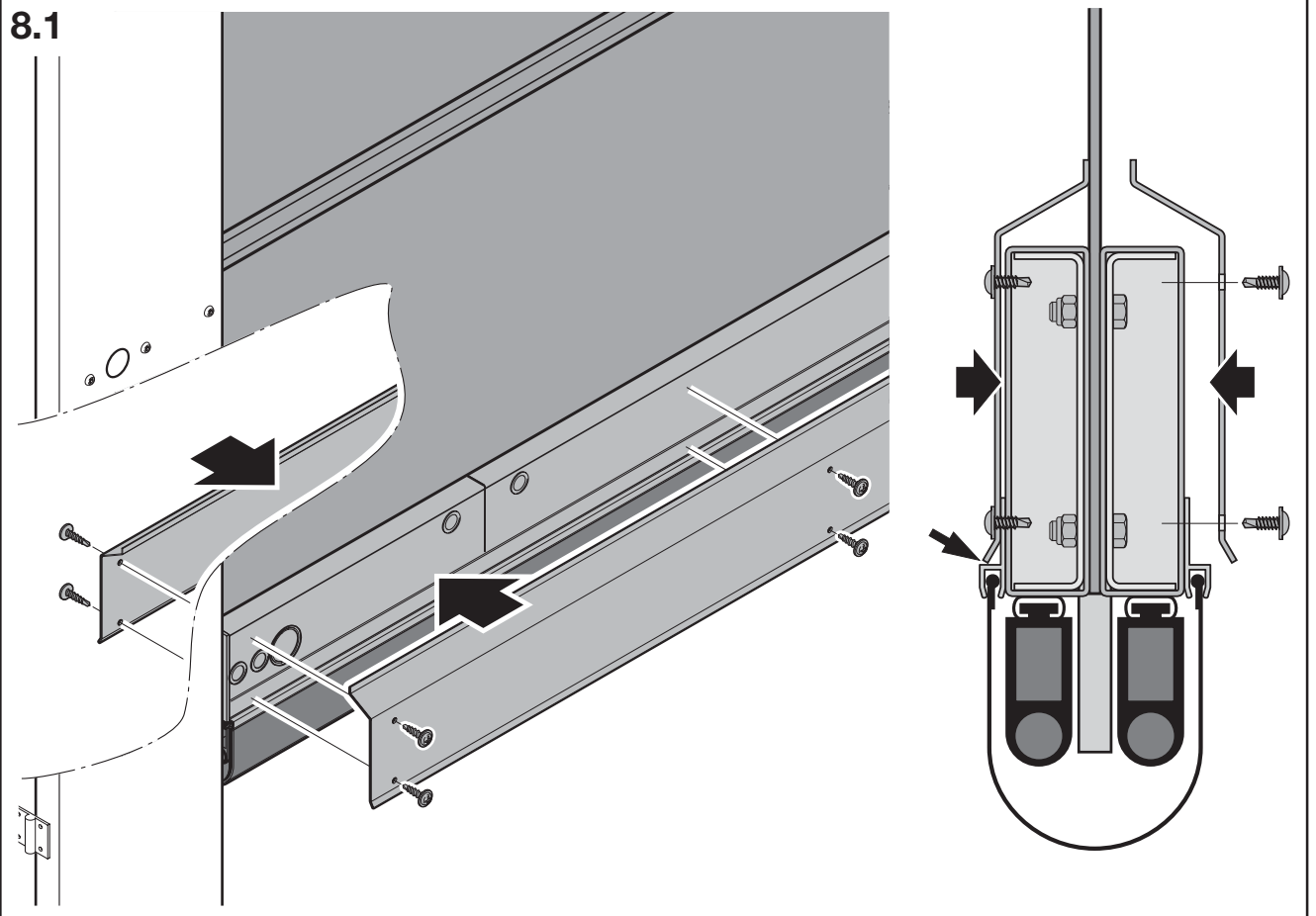
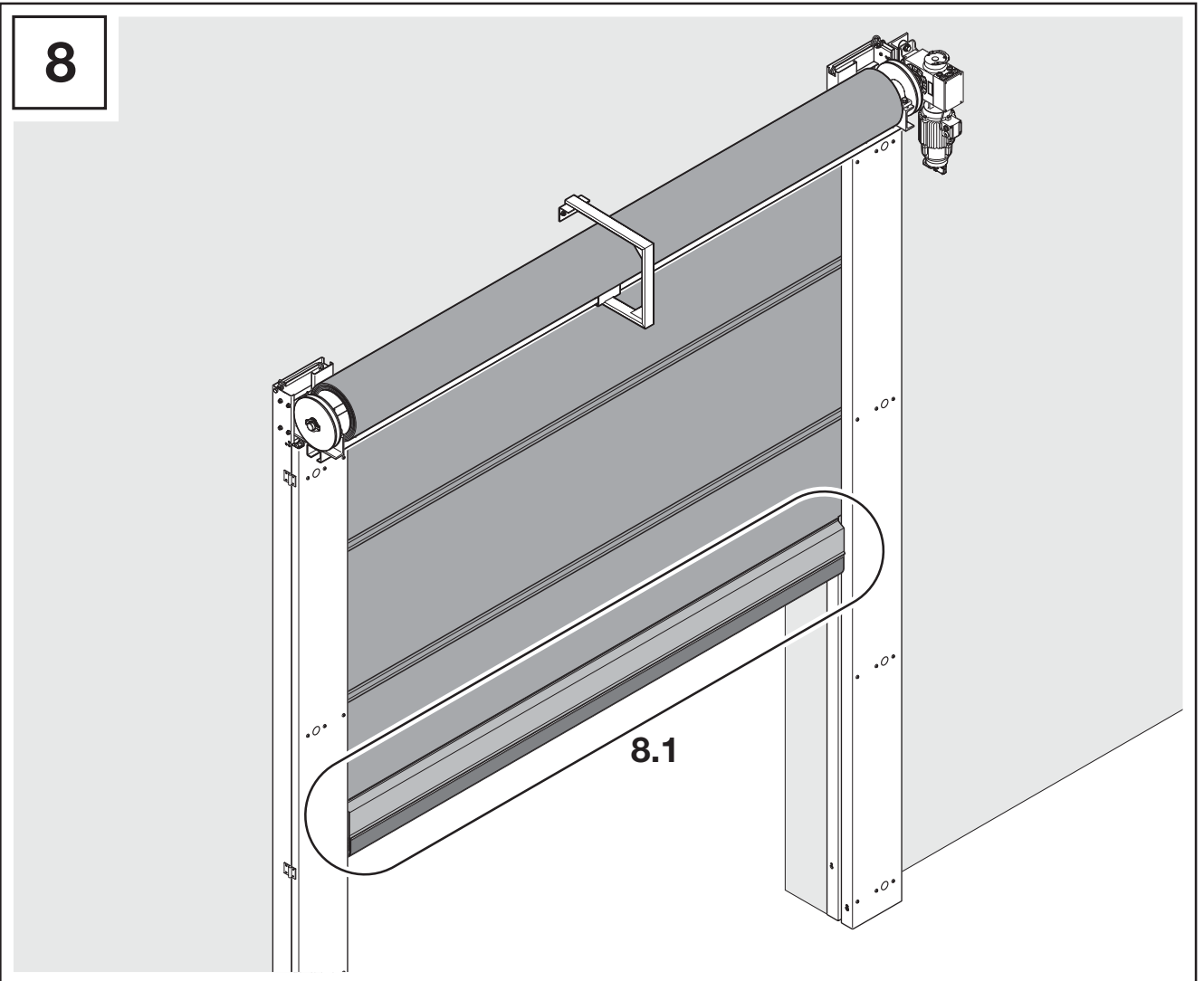
7.3



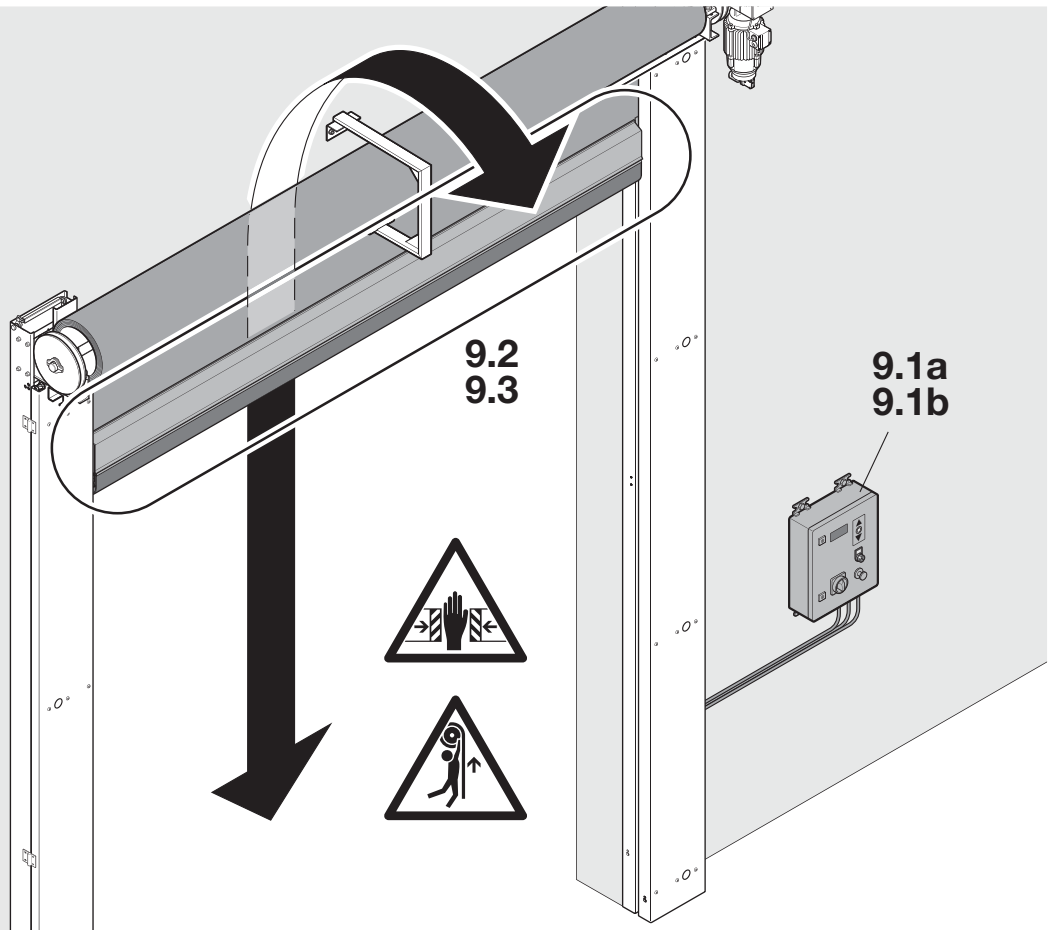
7.4



8



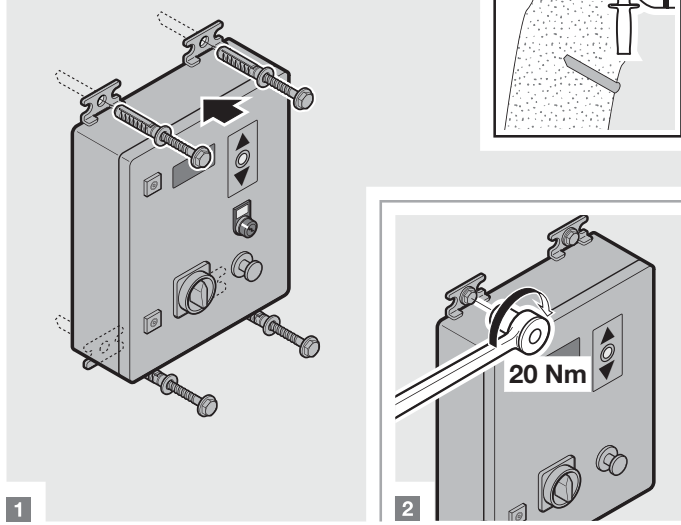
9



9.2  
9.3

9.1a  
9.1b

9.1a

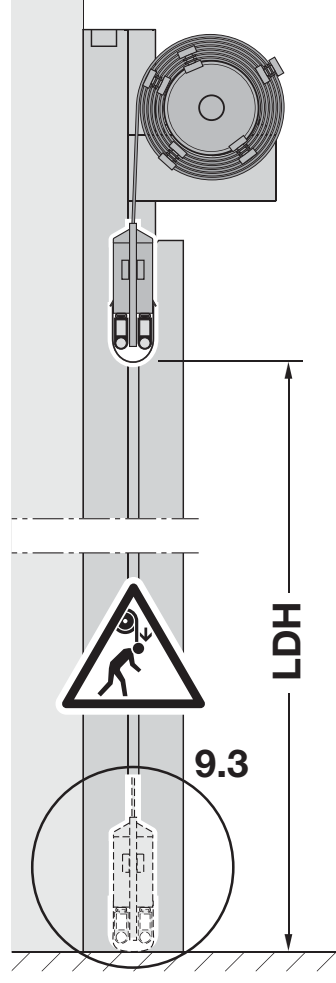


1

2

20 Nm

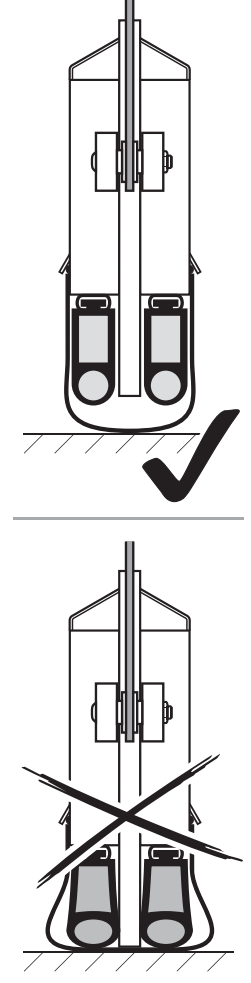
9.2



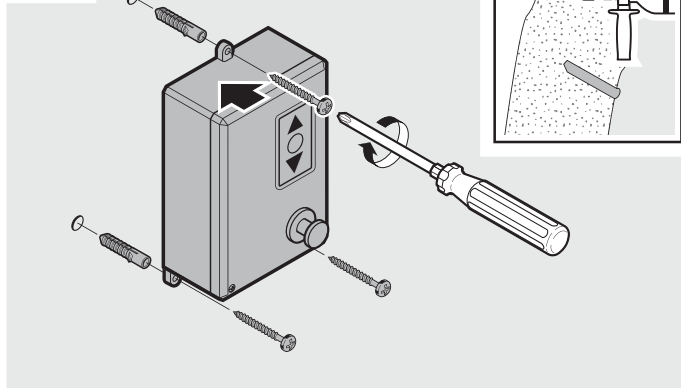
9.3

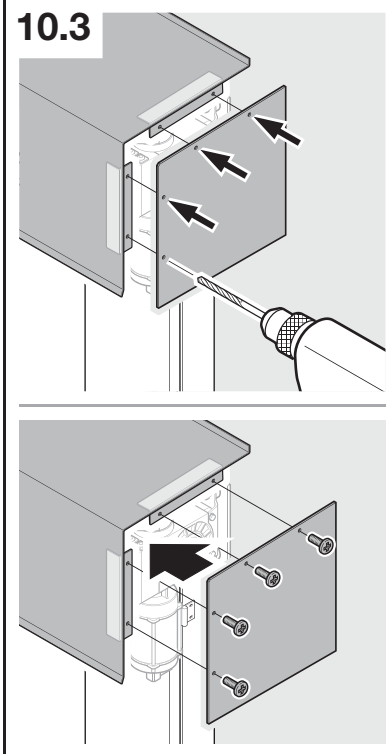
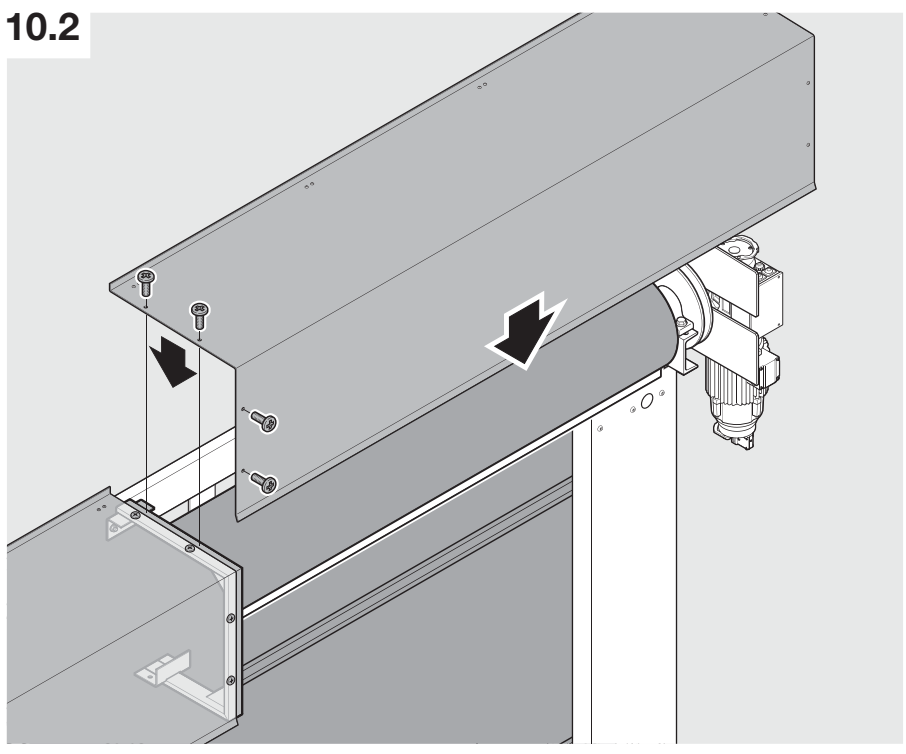
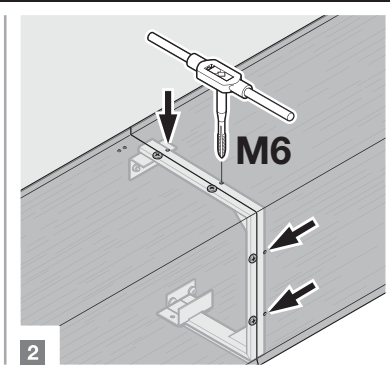
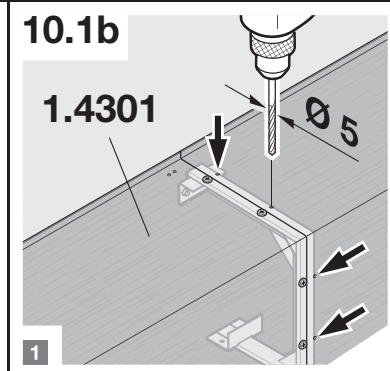
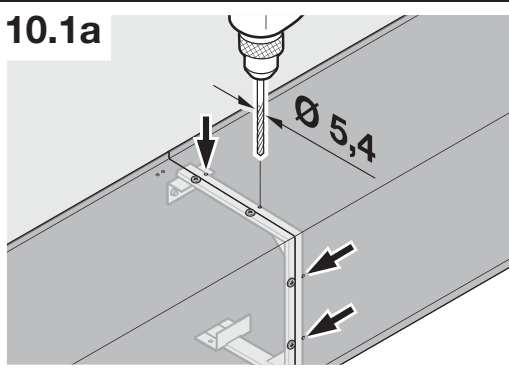
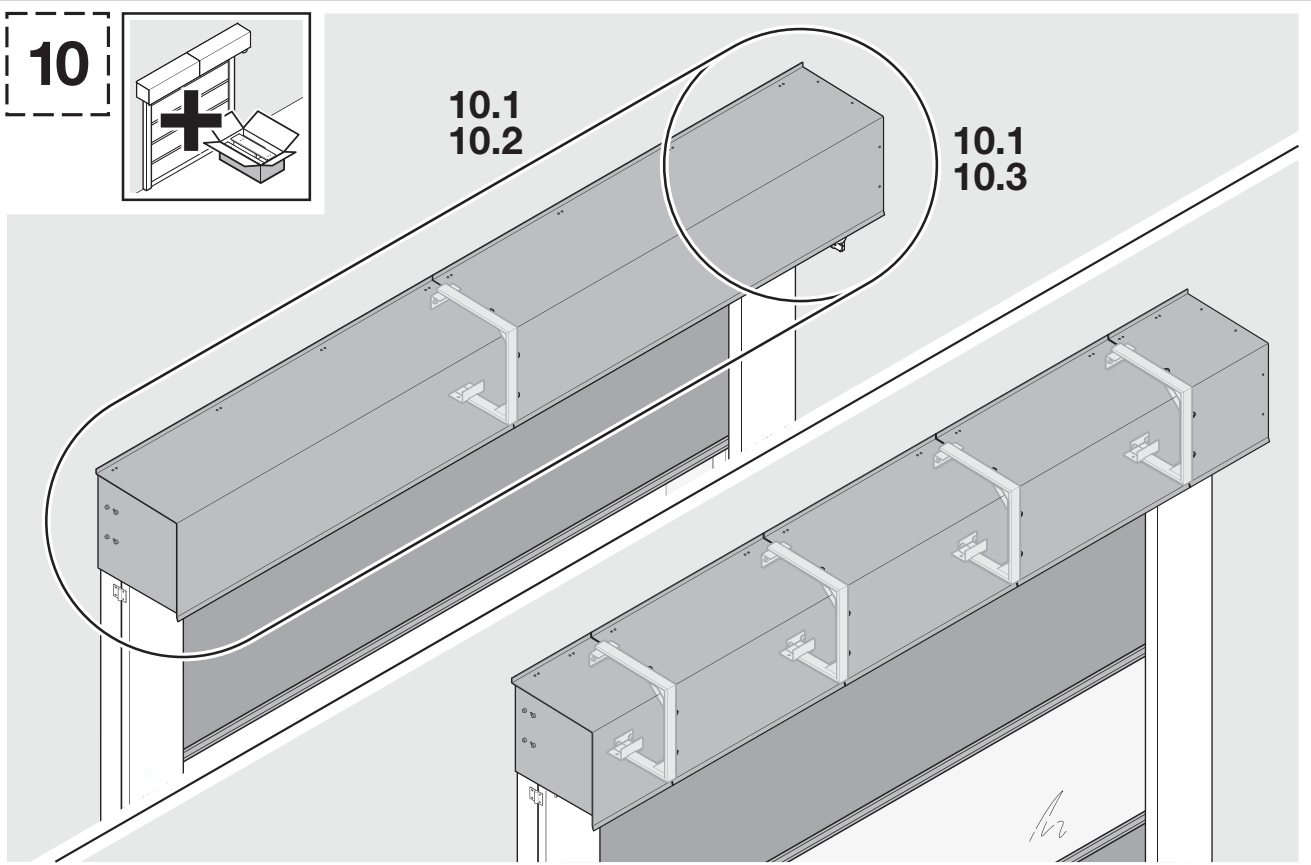
LDH

9.3



9.1b









Dissemination as well as duplication of this document and the use and communication of its content are prohibited unless explicitly permitted. Noncompliance will result in damage compensation obligations. All rights reserved in the event of patent, utility model or design model registration. Subject to changes.

Videreformidling og distribusjon av dette dokumentet samt anvendelse og spredning av innholdet er ikke tillatt, med mindre det foreligger uttrykkelig tillatelse. Krenkelse av denne bestemmelsen medfører skadeerstatningsansvar. Alle rettigheter forbeholdes mht. patent- design- og mønsterbeskyttelse. Med forbehold om endringer.

Överfåtelse och mångfaldigande av detta dokument, utnyttjande och överföring av dess innehåll är ej tillåtet utan vårt tillstånd. Överträdelse leder till skadestånd. Med förbehåll för ändringar vad gäller patent, användning eller mönster. Rätten till ändringar förbehålles.

Tämän dokumentin luovuttaminen kolmansille tahoille tai sen kopioiminen, sen sisällön käyttö tai tietojen välittäminen eteenpäin on kiellettyä, mikäli sitä ei ole nimenomaisesti sallittu. Määräysten vastainen käyttö velvoittaa korvausvaatimusten maksamiseen. Kaikki patentointia ja käyttömallien tai näytemallien kirjaamista koskevat oikeudet pidätetään. Oikeudet muutoksiin pidätetään.

Det er ikke tilladt at give dette dokument videre eller at mangfoldiggøre det, bruge det i anden sammenhæng eller at meddele dets indhold til andre, medmindre der udtrykkeligt er givet tilladelse hertil. Overtrædelser medfører pligt til skadeserstatning. Alle rettigheder forbeholdes i tilfælde af patenttildeling, registrerede varemærker eller beskyttet design. Ret til ændringer forbeholdes.

Be atskiro aiškaus leidimo, draudžiama šį dokumentą platinti, kopijuoti, naudoti ir perduoti jo turinį. Pažeidus šiuos reikalavimus gali būti pareikalauta atlyginti žala. Saugomos visos teisės į patentą, modelį arba pavyzdžio ar modelio registravimą. Išsaugoma teisė atlikti pakeitimus.

Käesoleva dokumendi paljundamine, müümine ja selle sisu edastamine on keelatud, kui ei ole meiepoolset ühest luba. Selle rikkumisel tuleb hüvitada meile tekitatud kahju. Kõik õigused patendi, kaubamärgi või tunnuse sissekande tegemiseks reserveeritud. Jätame omale õiguse teha muudatusi.

Šis instrukcijas pavairošana, tās satura realizācija pārdošanas ceļā un izpaušana ir aizliegta, ja vien no ražotāja iepriekš nav saņemta īpaša atļauja. Šī noteikuma neievērošana vainīgajai personai uzliek par pienākumu atlīdzināt radušos zaudējumus. Visas tiesības attiecībā uz patenta, rūpnieciskā parauga vai šī parauga rūpnieciskā dizaina reģistrāciju rezervētas. Paturam tiesības veikt izmaiņas.

**HÖRMANN KG Verkaufsgesellschaft**  
Upheider Weg 94-98  
33803 Steinhagen, Deutschland