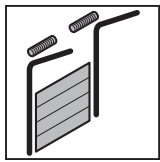
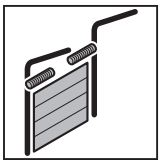


ND
GD
GK



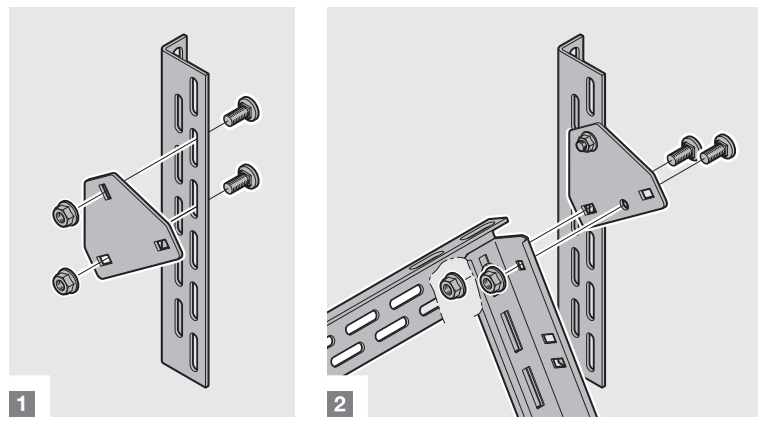
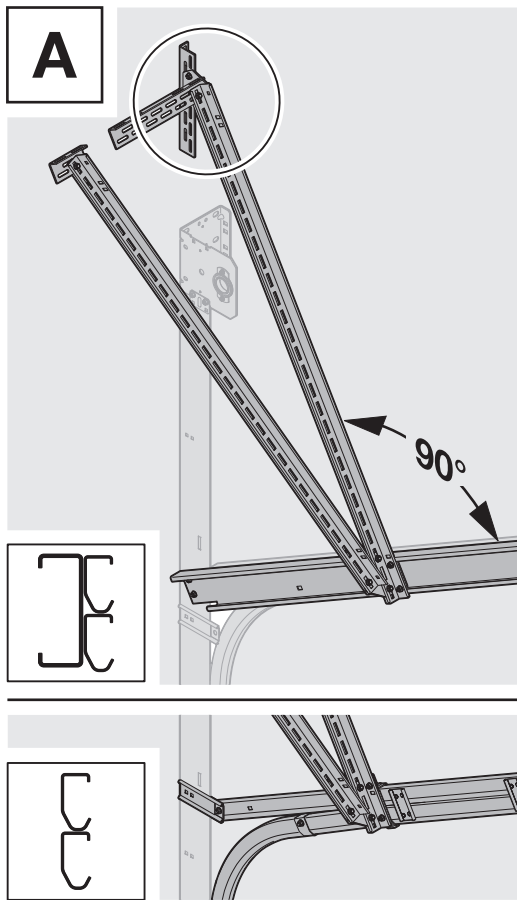
HD
HK
VS



RD
RK
WS



LD



A1 / 30°

