

DATA SHEET

Main properties



Resistance to wind load

Class 1 - 4

Product features

Fitting:

- On the building structure
- either in the opening or in front of or behind the opening
- Fastening: either welding or screw fitting

The values depend on the configuration of the door.

Rolling shutter TD HR70 S aero

The entry-level solution is ideal for applications with low requirements, e.g. for night locking of shops or unheated storage rooms. It can be fitted in front of, behind or in the opening, depending on the space available and the building structure. The bright-rolled version of the HR 70 S aero profile allows sufficient light and air to pass through, while keeping out leaves and dirt.



HR 70 S aero

Steel, galvanized

Single-skinned

Door size

Width (BMB)	900 – 4000 mm
Height (BMH)	770 – 3000 mm

Table of standard values in mm

Door height in mm	2500	2500	≤3500	≤3500	> 3500	> 3500
PVTD / SBTD	Without	With	Without	With	Without	With
Required headroom in mm (S)	335	350	335	350	435	450
Fitting depth in mm (ET)	300	380	300	380	450	450

Product description	
Typ	HR 70 S aero
Material	Steel
Surfaces without colour coating	Galvanized steel, bright-rolled
Curtain weight	Approx. 8 kg/m ²
Fastening options	Concrete, steel, brickwork, timber
Ventilation cross-section	approx. 24%

Differences in appearance between two doors may occur for technical reasons.

Equipment		
Security features	Pull-out protection	●
	Catch safety device	●
	Emergency operation	○
	Lock lath with locking rod	○
	Shootbolt	○
	Bottom profile rubber	○
	Curtain cover	○
	Fascia panel	○
	Control B100R	○

● Standard ○ Optional

Performance characteristics	Achievable values	
Resistsnce to wind load acc. to EN 12424	Class	1 - 4

Note: wind load classes vary depending on the type of installation and door width. Wind load class 1 when fitted inside a building.

Operator performance characteristics	
Operator / actuation	Tubular operator / press-and-hold key switch
Cycles per hour	2
Voltage	230 f
Frequency	50 Hz
Protection category	IP44
Mains plug	Schuko plug type F (CEE 7/7)
Operating temperature	-10 °C to +40 °C

Minimum requirements for the building structure

Concrete

Strength class C 20/25
 Thickness 140 mm
 Standard EN 206-1

Steel

Strength class S235-JRG2
 Thickness 5 mm
 Standard EN 10027-1

Brickwork

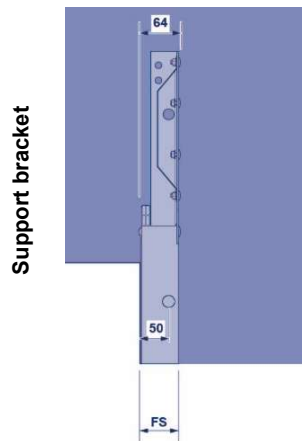
Strength class 12 /
 mortar group II
 Thickness 240 mm
 Standard DIN 1053-1

Timber

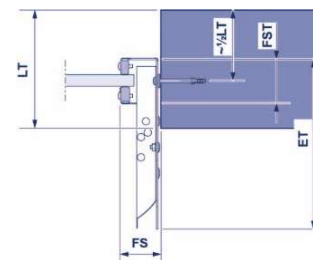
Coniferous wood: C24 / quality category II
 Thickness 120 mm
 Standard DIN 1052 (EC5)

Type of fitting

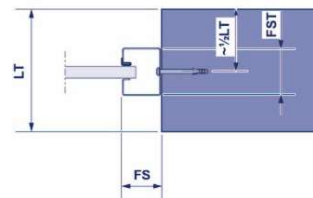
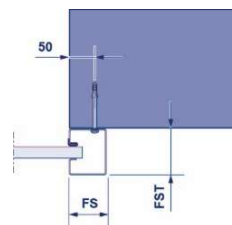
fitting On the building structure



fitting In the opening



FS60x75



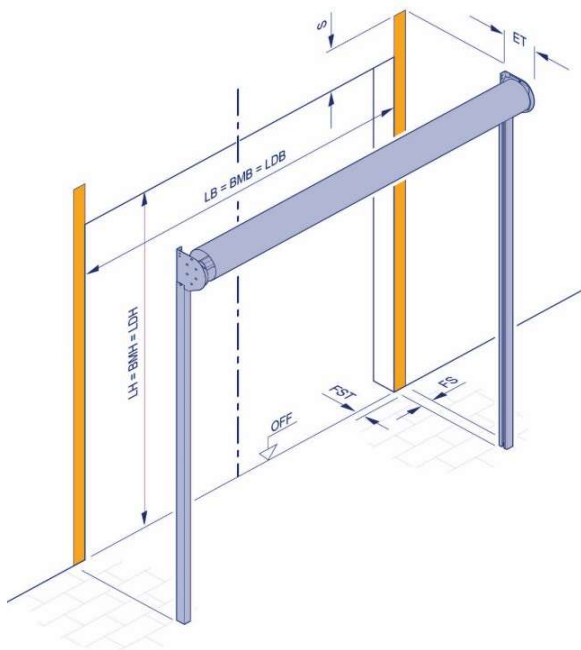
Standard: fitting by welding

Optional: screw fitting

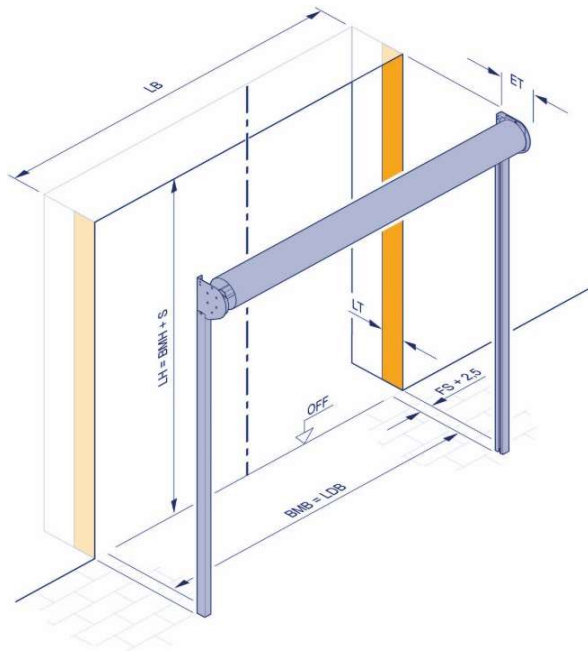
- BMB** = Door width ordering size
- BMH** = Door height ordering size
- SPAR** = Fitting depth
- LB** = Clear width
- LDB** = Clear passage width
- LDH** = Clear passage height
- LH** = Clear height
- LT** = Reveal depth
- OFF** = Finished floor level
- S** = Required headroom
- FS** = Sideroom for boom
- FST** = Guide rail

Type of fitting

Fitting on the building structure



Fitting in the opening



The information above, in particular the specifications and illustrations, are not binding and do not constitute an agreement on quality or a guarantee. Changes and errors are expressly reserved. The data sheet is subject to copyright. No part may be reproduced without our prior permission.