

DATA SHEET

Main properties



Resistance to wind load
Class 2 - 4

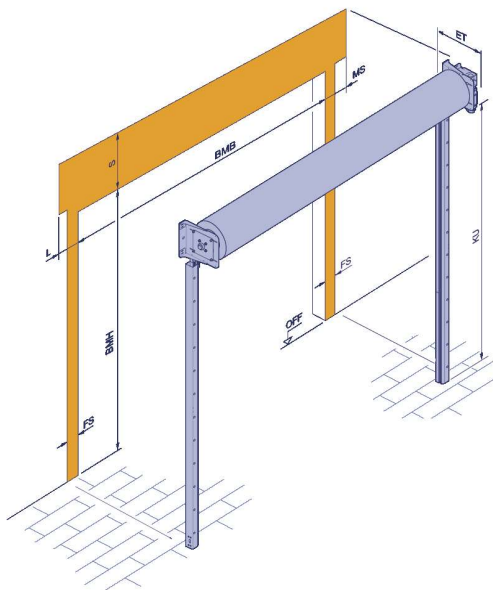


Water tightness
Class 0

The values depend on the configuration of the door.

Rolling shutter DD HR 120 aero

This finely perforated profile permits the entry of adequate light and air and keeps out leaves, paper and dirt. The bright-rolled surface finish is particularly well-suited for simple applications without requirements to appearance. The exterior of the coil-coated surface finish features a high-quality colour coating. Interior in Basalt grey, RAL 7012, if colour-coated to choose.



Door size

Width (BMB)	1000 – 12000 mm
Height (BMH)	1000 – 8000 mm

Table of standard values in mm

Door height	2250	2250	8000	8000
Door width	2250	7250	2250	7250
required headroom (S)	517	517	772	722
fitting depth (ET)	415	415	604	604

All other standard values can be found in the valid technical manual or the product configurator.

Product description	
Type	HR 120 aero
Material	Single-skinned aluminium
Surfaces without colour coating	Bright-rolled without protective paint
Surfaces with colour coating	High-quality coil coating
Standard colours	RAL 9002, 9006
Profile height	119 mm
Curtain weight	Approx. 5.5 kg/m ²
Fastening options	Concrete, steel, brickwork, timber
Ventilation cross-section	approx. 30%
Operator / actuation	DD 17, DD 25, DD 30, DD 50, DD 40, DD 65, DD 100, DD 160
Max. number of cycles per day (24 h)	10

Differences in appearance between two doors may occur for technical reasons.

Equipment		
Break-in resistance equipment	Wind lock	●
	Internal locking	○
	Internal / external locking	○
Security features	Safety catch	●
Side door	Matching the door	○

● Standard ○ Optional

Performance characteristics	Achievable values		
Resistance to wind load acc. to EN 12424	Max. door width 4250 mm	Class	4
	Max. door width 5500 mm		3
	Max. door width 7500 mm		2
Thermal insulation Annex B EN 12428 Door size 4000 × 4000 mm	Individual door section (U = W/(m ² ·K))	W/(m ² ·K)	-
	Fitted (U=W/(m ² ·K))		-
Acoustic rating	Shutter 3.5 × 2 m, fitted (RW = dB)	R [dB]	-
Water tightness acc. to EN 12425		Class	0

Note: Maximum wind load only for standard rolling shutters without window profiles

Minimum requirements for the building structure

Concrete

Strength class C 20/25
 Thickness 140 mm
 Standard EN 206-1

Steel

Strength class S235-JRG2
 Thickness 5 mm
 Standard EN 10027-1

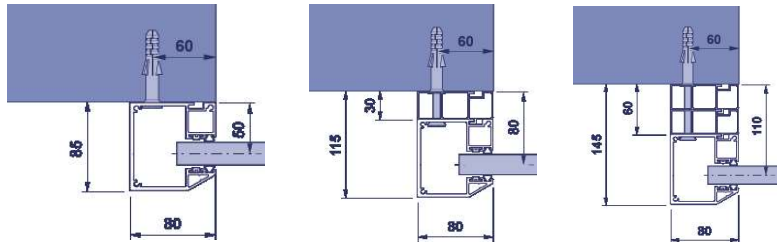
brickwork

Strength class 12 / mortar group II
 Thickness 240 mm
 Standard DIN 1053-1

Timber

Coniferous wood: C24 / quality category II
 Thickness 120 mm
 Standard DIN 1052 (EC5)

Standard fitting for guide rail FS 80

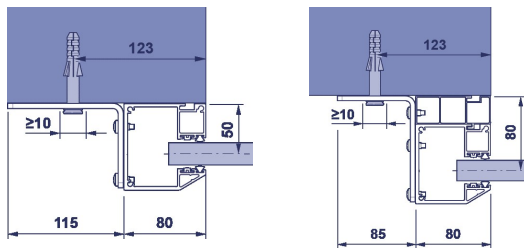


Without Support profile

With one support profile

With two support profiles

Angle fitting for guide rail FS 80



Without Support profile

With one support profile

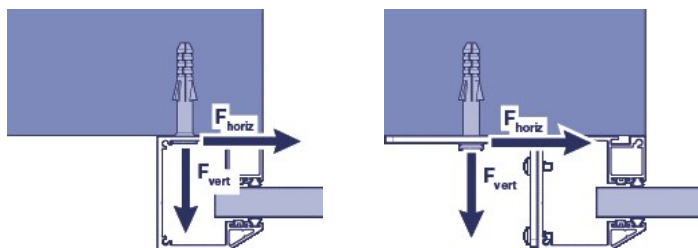
Angle fitting

- Optional
- Fitting by welding Possible
- Not on brickwork
- Not in combination with equipment package S6

Maximum load at the fixing point – guide rail FS 80

Standard fitting

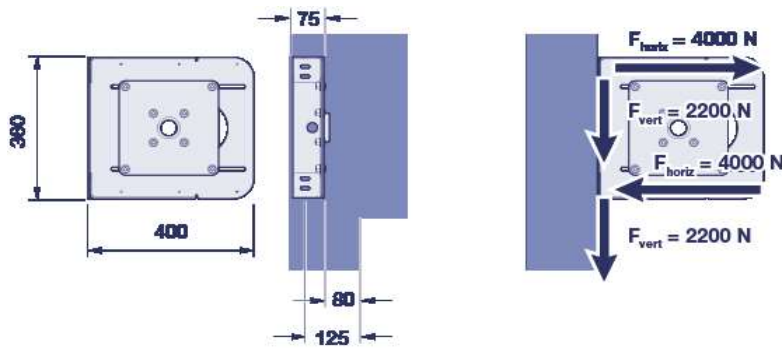
Angle fitting



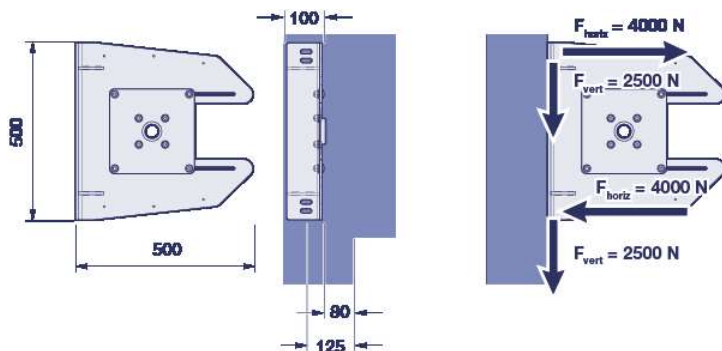
	Door width	
	≤ 5000 mm	> 5000 mm
q _{horiz} [kN/m]	3,75	10,5
q _{vert} [kN/m]	2,5	3,5

Support bracket / maximum load at the fixing point

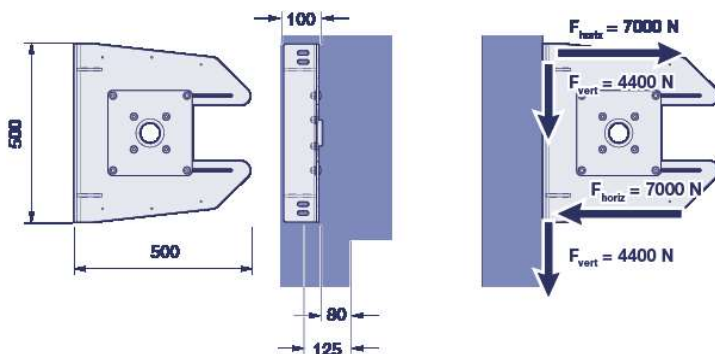
Support bracket 40



Support bracket 40-2



Support bracket 60



The information above, in particular the specifications and illustrations, are not binding and do not constitute an agreement on quality or a guarantee. Changes and errors are expressly reserved. The data sheet is subject to copyright. No part may be reproduced without our prior permission.