

DATA SHEET

Main properties



Water tightness

Class 0

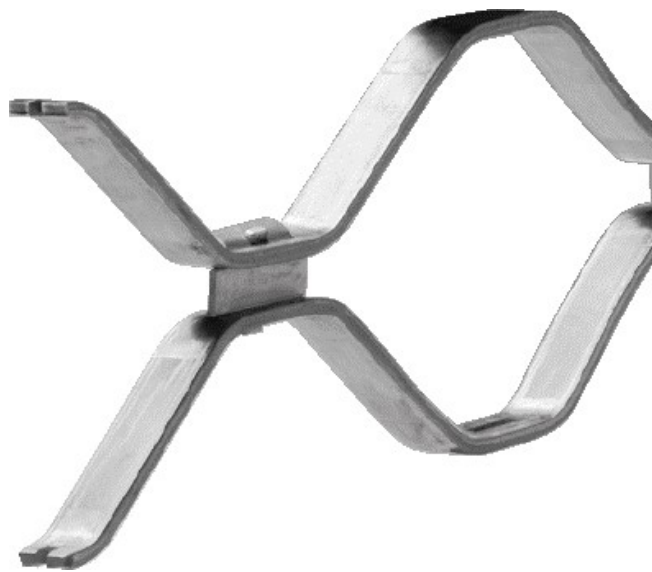
Product features

Pull-out protection

The values depend on the configuration of the rolling grille.

Rolling grille DD HG-S

The galvanized steel version is robust and inexpensive. The curtain is also available with colour coating to choose.



HG-S, steel

Door size

Width (BMB)	1000 – 12000 mm
Height (BMH)	1000 – 8000 mm

Table of standard values in mm

Door height	2250	2250	8000	7750
Door width	2250	7250	2250	7250
Required headroom (S)	495	495	717	714
Fitting depth (ET)	415	415	608	602

All other guideline values can be found in the valid technical manual or the product configurator.

Product description		
Type	HG-S	
Material	steel	
Profile height	60 mm	
Surfaces without colour coating	galvanized	
Surfaces with colour coating	Powder-coated in RAL to choose	
Curtain weight	Approx. 14.0 kg/m ²	
Fastening options	Concrete, steel, brickwork, timber	
Ventilation cross-section	approx. 85%	
Operator / actuation	DD17, DD25, DD30, DD40, DD50, DD65, DD100, DD160	DD180
Max. number of cycles per day (24 h)	75	50

Differences in appearance between two doors may occur for technical reasons.

Equipment		
Break-in resistance equipment	Pull-out protection	●
	Internal locking	○
	Internal / external locking	○
Security features	Safety catch	●
Side door	Matching the door	○

● Standard ○ Optional

Performance characteristics	Achievable values		
Resistance to wind load according to EN 12424		Class	-
Thermal insulation Appendix B EN 12428 Door size 4000 × 4000 mm	Individual door section (U = W/(m ² ·K))	W/(m ² ·K)	-
	Fitted (U=W/(m ² ·K))		-
Acoustic rating	Shutter 3.5 × 2 m, fitted (RW = dB)	R [dB]	-
Water tightness according to EN 12425		Class	0

Minimum requirements for the building structure

Concrete

Strength class C 20/25
 Thickness 140 mm
 Standard EN 206-1

steel

Strength class S235-JRG2
 Thickness 5 mm
 Standard EN 10027-1

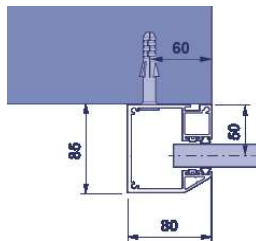
Brickwork

Strength class 12 / mortar group II
 Thickness 240 mm
 Standard DIN 1053-1

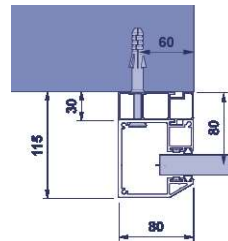
Timber

Coniferous wood: C24 / quality category II
 Thickness 120 mm
 Standard DIN 1052 (EC5)

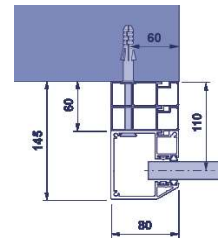
Standard fitting for side guide FS80



Without support profile

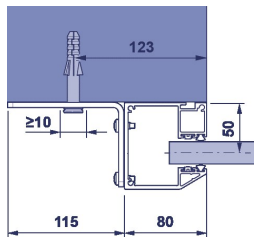


With one support profile

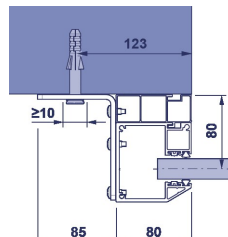


With two support profile

Angle fitting for side guide FS80



Without support profile



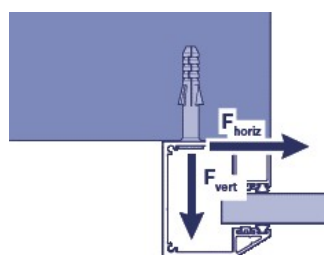
With one support profile

Angle fitting

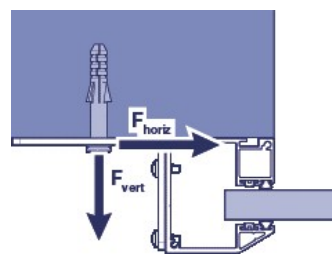
- Optional
- Fitting by welding possible
- Not on brickwork
- Not in combination with equipment package S6

Maximum load at the fixing point – side guide FS80

Standard fitting



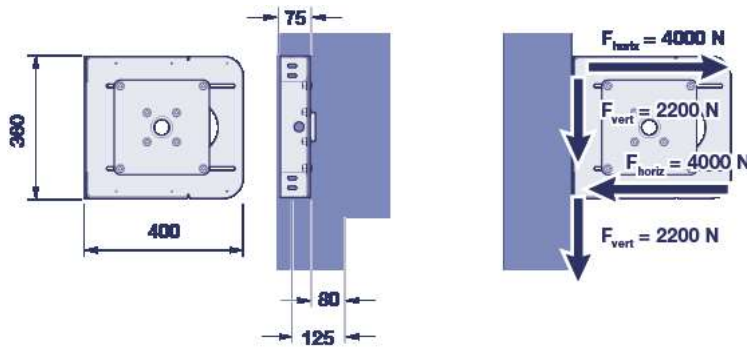
Angle fitting



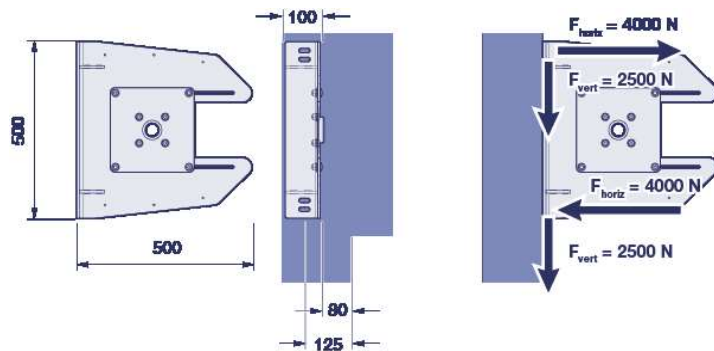
	Door width	
	≤ 5000 mm	> 5000 mm
q _{horiz} [kN/m]	3,75	10,5
q _{vert} [kN/m]	2,5	3,5

Support bracket / maximum load at the fixing point

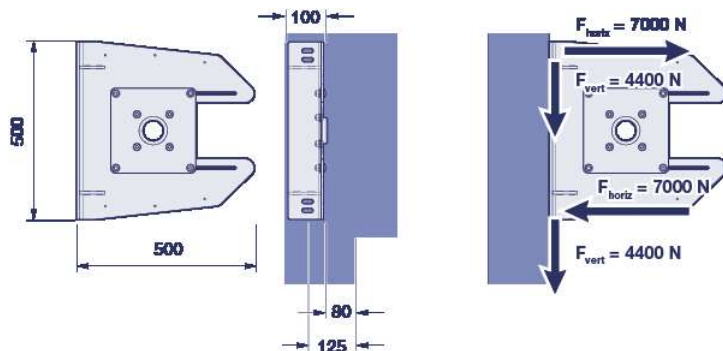
Support bracket 40



Support bracket 40-2



Support bracket 60



The information above, in particular the specifications and illustrations, is not binding and does not constitute an agreement on quality or a guarantee. Changes and errors are expressly reserved. The data sheet is subject to copyright. No part may be reproduced without our prior permission.