

DATA SHEET

Main properties



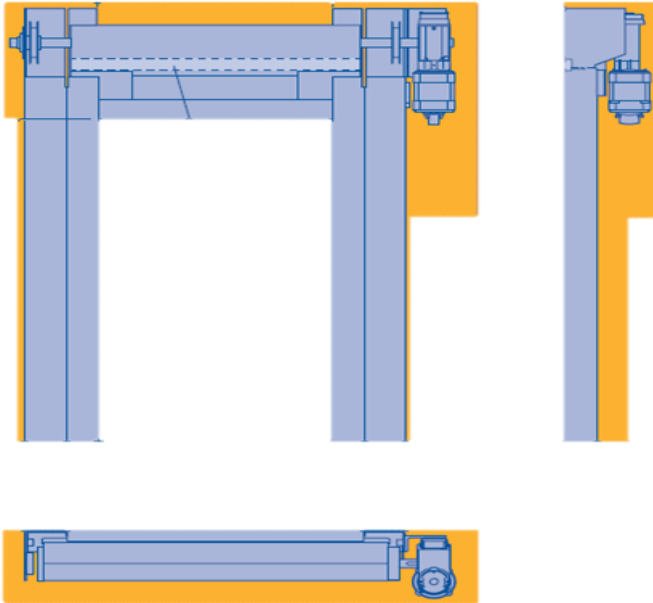
Resistance to wind load

Class 3

V 6030 SEL

Flexible high-speed door

Everyday collision damage, for example due to forklifts, generally does not have any serious effects on this door. And the high speed at which the door opens and closes also saves on energy costs. The V 6030 SEL is also optionally available with an aluminium bottom profile.



Gate size

Max. width	5000	mm
Max. height	6000	mm

Speed (FU control, 1-phase, BK 150 FUE-1)

Max. opening speed	2,0	(m/s)
Max. closing speed	0,8	(m/s)

Speed (FU control, 3-phase, AK 500 FUE-1)

Max. opening speed	3,0	(m/s)
Max. closing speed	0,8	(m/s)

The values depend on the configuration of the door.

Product description	
Use	External / internal door
Curtain material	PVC
Fabric thickness (mm)	1,5
Vision panel thickness (mm)	2,0
Design	Self-supporting
Guide material / surface	Galvanized steel
	Optionally galvanized steel, coated (RAL to choose), polished stainless steel V2A
Shaft / operator cover	Optionally straight, chamfered 30°
Potential-free contacts	3
Temperature range	+5°C to +40°C

Equipment features		
Wind lock	Spring steel in curtain pockets with side twin rollers and tensioning system	•
Door leaf tension		•
Bottom profile	SoftEdge (rubber bottom profile)	•
	Aluminium bottom profile	○
Curtain colours	RAL 1018 Zinc yellow	•
	RAL 2004 Pure orange	•
	RAL 3002 Carmine red	•
	RAL 5010 Gentian blue	•
	RAL 7038 Agate grey	•

• Standard ○ Optional

Performance characteristics		Achievable values	
Resistance to wind load acc. to EN 12424		Class	3

The performance characteristics specified can only be achieved with the corresponding equipment.

Safety and operator equipment		
Emergency opening	Emergency crank handle	●
	Emergency hand chain	○
	UPS in plastic cabinet for FU control 230 V, 1-phase	○
Security features	EN 13241.1	●
Operator and control	Frequency converter	●
	Connecting voltage, 1-phase, 1 – 230 V, N, PE	●
	Connecting voltage, 3-phase, 3 – 400 V, N, PE	○
	Open-Stop-Close button	●
	Main switch with all-pole switch-off, 1-phase	○
	Main switch with all-pole switch-off, 3-phase	●
	Emergency-off button, 1-phase	○
	Emergency-off button, 3-phase	●
	Electronic limit switch DES	●
	Closing zone monitoring, safety grille IP 67	●
Protection category for operator / control	IP 54 / IP 65	●
Fuse, 1-phase, 3-phase	16 A, slow-acting	●
Hold-open phase, in sec.	1 – 200	●
Control wiring	Plug-in	●

● Standard ○ Optional

The information above, in particular the specifications and illustrations, are not binding and do not constitute an agreement on quality or a guarantee. Changes and errors are expressly reserved. The data sheet is subject to copyright. No part may be reproduced without our prior permission.