

DATA SHEET

Main properties

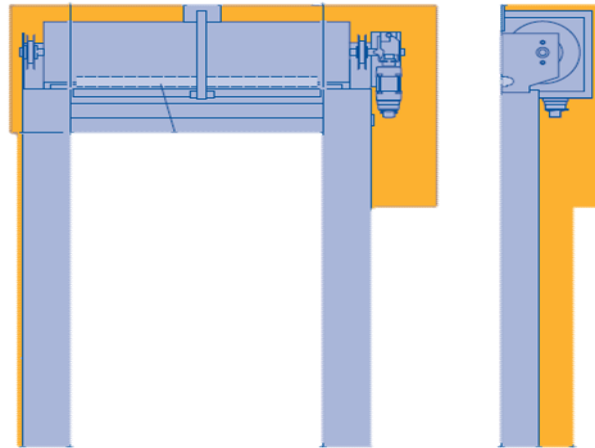


**Resistance
to wind load**

Class 2

V 6020 TRL Flexible high-speed door

The V 6020 TRL is a fully transparent door allowing for more light as an external door and improved visibility indoors. The 4 mm thick transparent curtain lets light into the room resulting in a pleasantly bright workplace.



Gate size

Max. width	6000	mm
Max. height	7000	mm

Speed (FU control, 1-phase, BK 150 FUE-1)

Max. opening speed	2,0	(m/s)
Max. closing speed	0,5	(m/s)

Speed (FU control, 3-phase, AK 500 FUE-1)

Max. opening speed	2,0	(m/s)
Max. closing speed	0,5	(m/s)

The values depend on the configuration of the door.

Product description	
Use	External / internal door
Curtain material	PVC
Fabric thickness (mm)	2,4
Vision panel thickness (mm)	4,0
Fully transparent curtain (mm)	4,0
Guide material / surface	Galvanized steel
	Optionally galvanized steel, coated (RAL to choose), polished stainless steel V2A
Shaft / operator cover	Optionally straight, chamfered 30°
Potential-free contacts	3
Temperature range	+5°C to +40°C

Equipment features		
Wind lock	Spring steel in curtain pockets with side twin rollers and tensioning system	•
Door leaf tension		•
Bottom profile	Aluminium bottom profile	•
	RAL 1018 Zinc yellow	W
Curtain colours	RAL 2004 Pure orange	W/G
	RAL 3002 Carmine red	W
	RAL 5010 Gentian blue	W/G
	RAL 7038 Agate grey	W/G

• Standard ○ Optional W = wind lock strip G = fabric colour

Performance characteristics	Achievable values		
Resistance to wind load acc. to EN 12424		Class	2

The performance characteristics specified can only be achieved with the corresponding equipment.

Safety and operator equipment		
Emergency opening	Emergency crank handle	●
	Emergency hand chain	○
	UPS in plastic cabinet for FU control 230 V, 1-phase	○
Security features	EN 13241.1	●
Operator and control	Frequency converter	●
	Connecting voltage, 1-phase, 1 – 230 V, N, PE	●
	Connecting voltage, 3-phase, 3 – 400 V, N, PE	●
	Open-Stop-Close button	●
	Main switch with all-pole switch-off, 1-phase	○
	Main switch with all-pole switch-off, 3-phase	●
	Emergency-off button, 1-phase	○
	Emergency-off button, 3-phase	●
	Electronic limit switch DES	●
	Closing zone monitoring, safety grille IP 67	●
Protection category for operator / control	IP 54 / IP 65	●
Fuse, 1-phase, 3-phase	16 A, slow-acting	●
Hold-open phase, in sec.	1 – 200	●
Control wiring	Plug-in	●

● Standard ○ Optional

The information above, in particular the specifications and illustrations, are not binding and do not constitute an agreement on quality or a guarantee. Changes and errors are expressly reserved. The data sheet is subject to copyright. No part may be reproduced without our prior permission.