

## DATA SHEET

### Main properties

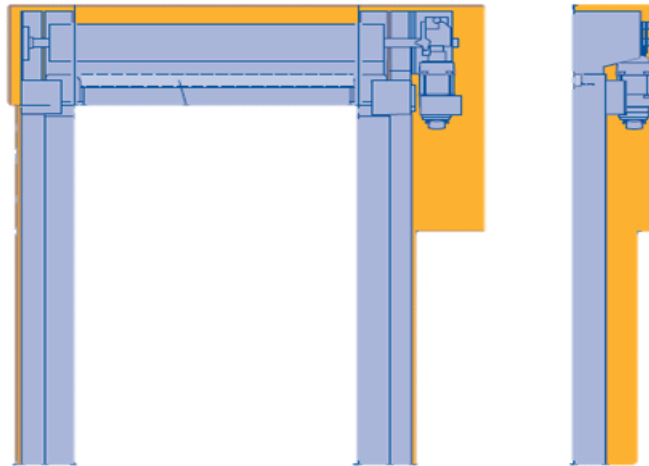


#### Resistance to wind load

Class 1  
with aluminium bottom part

### V 5030 SEL Flexible high-speed door

This door is quiet and especially suited for halls with a low noise level. It also runs quickly and reliably even with a draught. It is equipped with spring steel wind locks that provide the necessary curtain stability.



#### Gate size

Max. width	5000	mm
Max. height	5000	mm

#### Speed (FU control, 1-phase, BK 150 FUE-1)

Max. opening speed	2,0	(m/s)
Max. closing speed	0,8	(m/s)

#### Speed (FU control, 3-phase, AK 500 FUE-1)

Max. opening speed	3,0	(m/s)
Max. closing speed	0,8	(m/s)

The values depend on the configuration of the door.

Product description	
Use	Internal door
Curtain material	PVC
Fabric thickness (mm)	1,5
Vision panel thickness (mm)	2,0
Design	Self-supporting
Guide material / surface	Galvanized steel
	Optionally galvanized steel, coated (RAL to choose), polished stainless steel V2A
Shaft / operator cover	Optionally straight, chamfered 30°
Potential-free contacts	3
Temperature range	+5°C to +40°C

Equipment features		
Wind lock	Spring steel in curtain pockets with side twin rollers	●
Bottom profile	SoftEdge (rubber bottom profile)	●
	Aluminium bottom profile	○
Curtain colours	RAL 1018 Zinc yellow	●
	RAL 2004 Pure orange	●
	RAL 3002 Carmine red	●
	RAL 5010 Gentian blue	●
	RAL 7038 Agate grey	●

● Standard    ○ Optional

Performance characteristics		Achievable values	
Resistance to wind load acc. to EN 12424		Class	1 with aluminium bottom part

The performance characteristics specified can only be achieved with the corresponding equipment.

Safety and operator equipment		
<b>Emergency opening</b>	Emergency crank handle	●
	Emergency hand chain	○
	UPS in a plastic cabinet	○
<b>Security features</b>	EN 13241.1	●
<b>Operator and control</b>	Frequency converter	●
	Connecting voltage, 1-phase, 1 – 230 V, N, PE	●
	Connecting voltage, 3-phase, 3 – 400 V, N, PE	○
	Open-Stop-Close button	●
	Main switch with all-pole switch-off, 1-phase	○
	Main switch with all-pole switch-off, 3-phase	●
	Emergency-off button, 1-phase	○
	Emergency-off button, 3-phase	●
	Electronic limit switch DES	●
	Closing zone monitoring, safety grille IP 67	●
<b>Protection category for operator / control</b>	IP 54 / IP 65	●
<b>Fuse, 1-phase, 3-phase</b>	16 A, slow-acting	●
<b>Hold-open phase, in sec.</b>	1 – 200	●
<b>Control wiring</b>	Plug-in	●

● Standard ○ Optional

The information above, in particular the specifications and illustrations, are not binding and do not constitute an agreement on quality or a guarantee. Changes and errors are expressly reserved. The data sheet is subject to copyright. No part may be reproduced without our prior permission.