

## DATA SHEET



**Resistance to wind load**

Class 3



**Resistance to water penetration**

Class 2



**Air permeability**

Class 1

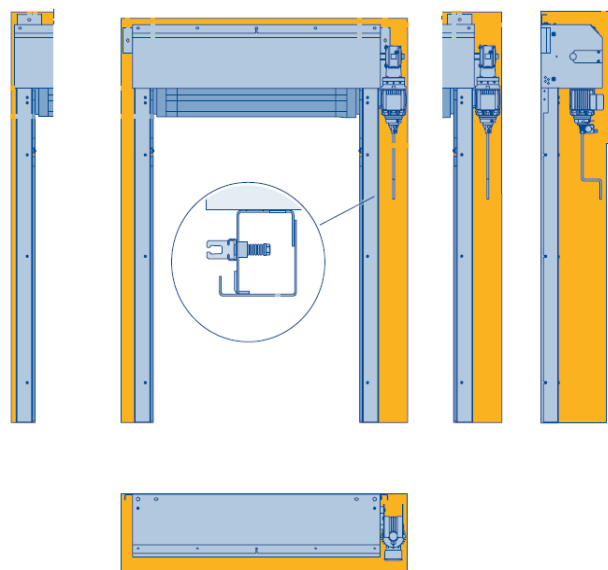
The values depend on the configuration of the door.

### V 5025 Z

Internal and external door with anti-crash system and zipper technology

This door construction with wind class 3 is suitable for interior and exterior use. With side elements measuring just 110 mm wide, it takes up very little space and the standard single-phase BK FU Z control covers all standard functions.

The door offers an innovative crash function with automatic re-feed across its entire height and is fully operable again after a collision.



#### Door size

Max. width	5000	mm
Max. height	5000	mm

#### Speed (frequency converter control, 1-phase, BK FU-Z)

Max. opening speed	2,00	(m/s)
Max. closing speed	1,00	(m/s)

Product description	
Use	Internal and external door
Fabric thickness (mm)	approx. 0.9
Vision panel thickness (mm)	2
Design	Non-self-supporting
Guide material / surface finish	Shaft cover galvanized steel
Shaft cover	two-part, straight (standard)
Operator cover	one-part, straight (optional)
Volt-free contacts	1
Temperature range	+5°C to +40°C

Equipment features		
Wind lock	Spring-loaded retention system for the slide rail	•
	Flexible bottom part	•
Curtain colours	RAL 1018 Zinc yellow	•
	RAL 2004 Pure orange	•
	RAL 3002 Carmine red	•
	RAL 5010 Gentian blue	•
	RAL 7038 Agate grey	•

• Standard    ○ Optional

Performance characteristics		Achievable values	
<b>Resistance to wind load</b> According to DIN EN12424		Class	3
<b>Water tightness under heavy rain</b> DIN EN 12425		Class	2
<b>Air permeability</b> According to DIN EN12426		Class	1

Safety and operator equipment		
<b>Emergency opening</b>	Service adapter	•
<b>Security features</b>	DIN EN 13241.1	•
	Frequency converter	•
	Connecting voltage, 1-phase 1 – 230 V, N, PE	•
	Open-Stop-Close button	•
<b>Operator and control</b>	Main switch all-pole, surface-mounted for BK FU Z	○
	Main switch with all-pole switch-off for optional BK 150 FUE – 1	○
	Emergency-off button, surface-mounted for BK FU Z	○
	Emergency-off button for optional BK 150 FUE – 1	○
	Multiturn	•
	Closing zone monitoring, safety grille IP 67	•
<b>Protection category for operator / control</b>	IP 54 / IP 54	•
<b>Fuse protection, 1-phase</b>	16 A, K-characteristic	•

• Standard    ○ Optional

The information above, in particular the specifications and illustrations, are not binding and do not constitute an agreement on quality or a guarantee. Changes and errors are expressly reserved. The data sheet is subject to copyright. No part may be reproduced without our prior permission.