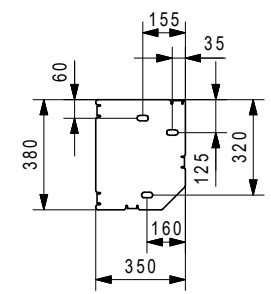
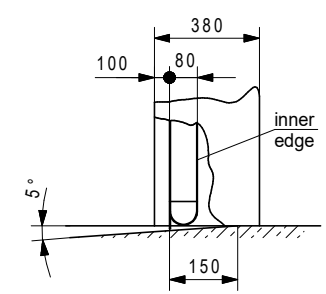


**Detail Y:**  
fixing points for ground plate  
3 points fixing hole 15 x 30



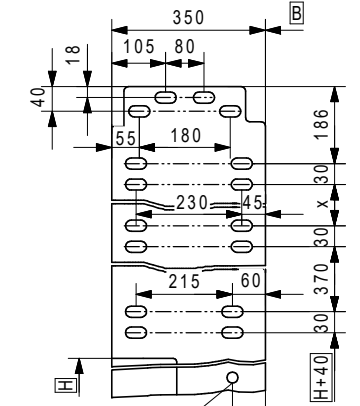
**Detail W:**  
water drain recommendation  
floor level according to DIN EN 12489



Dim.	mm	Remarks
e	1275	H ≤ 6000
	1375	6000 < H ≤ 8000
f	1295	H ≤ 6000
	1425	6000 < H ≤ 8000
n	H - 427	H < 2000
	1480	H ≥ 2000
v	55	spiral cover sheet
	90	spiral cover lath
x	640	H ≤ 6000
	740	6000 < H ≤ 8000
K	100	installation clearance top
	150	installation clearance top with spiral cover top
Q	ca. 80	installation clearance
QM	ca. 250	installation clearance
R	min. 460	installation clearance
B		clear width
H		clear height

Unless otherwise stated, all dimensions are in mm.

**Detail X:**  
fixing points for frame  
2 points each group of holes fixing hole 15 x 30



fixing point frame  
at H/2 and H - 1000 Ø16

Height in cm	Door width in cm							
	200	300	400	500	600	700	800	
195								
300								
400								
500								
600								
700								
800								