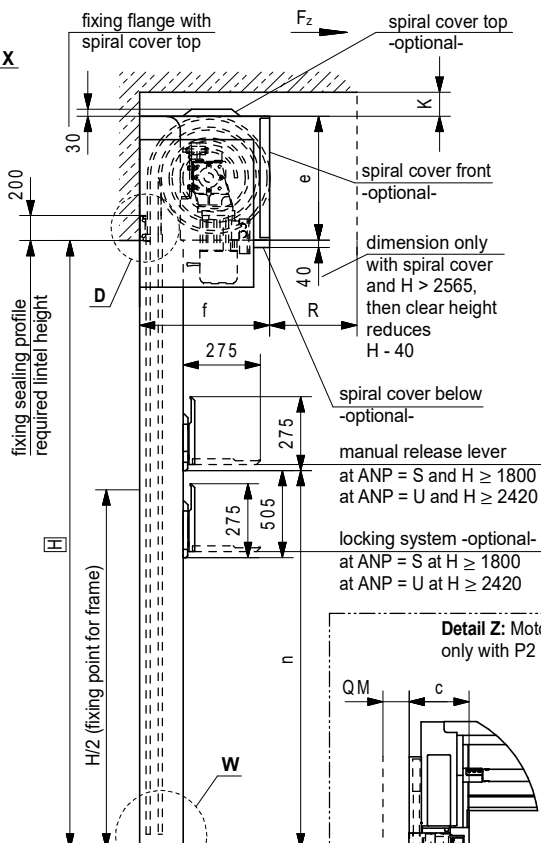
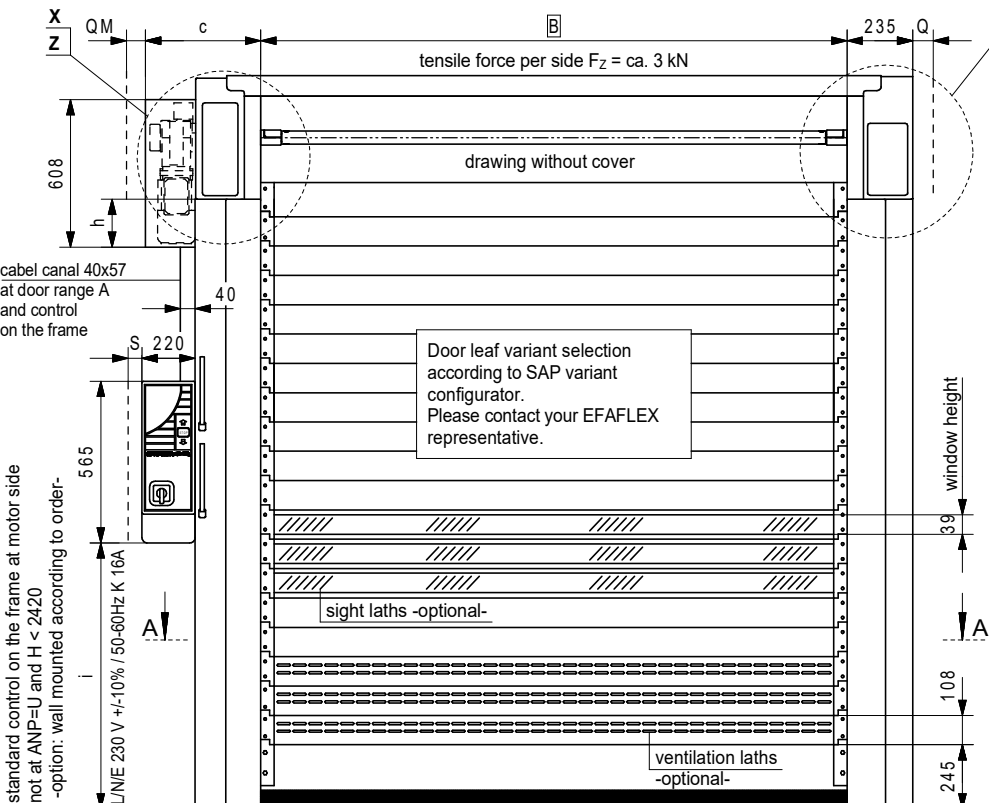
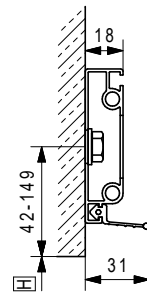


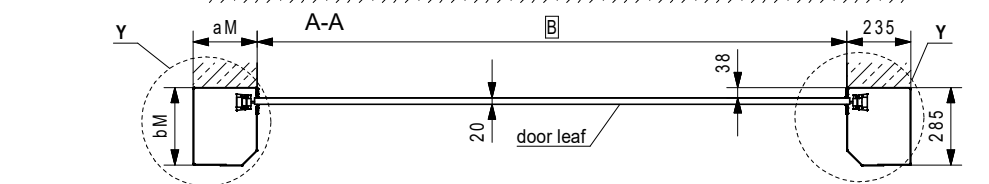
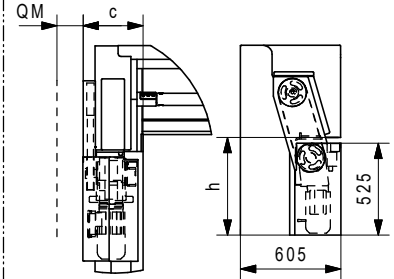
Detail Z: Motor ANP=S



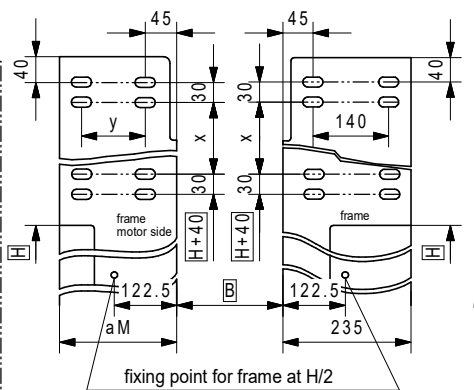
Detail D:
fixing points for sealing profile: 1 point (middle)



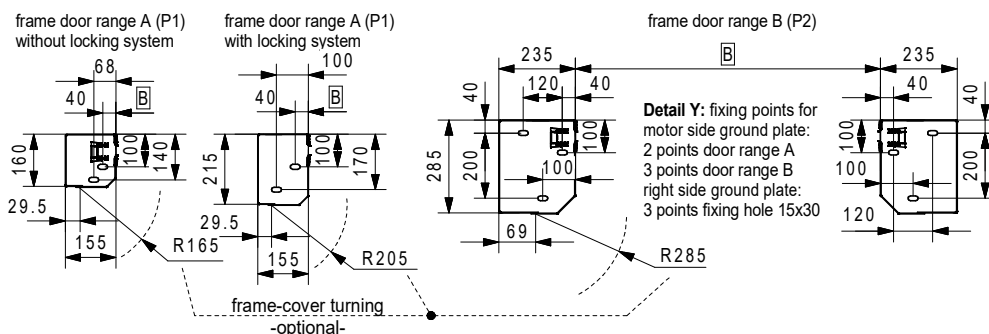
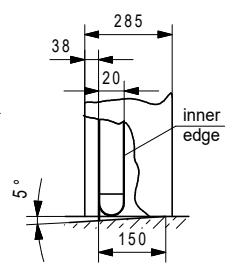
Detail Z: Motor ANP=U only with P2 construction



Detail X: fixing points for frame
2 points per each group of holes, fixing hole 15 x 30



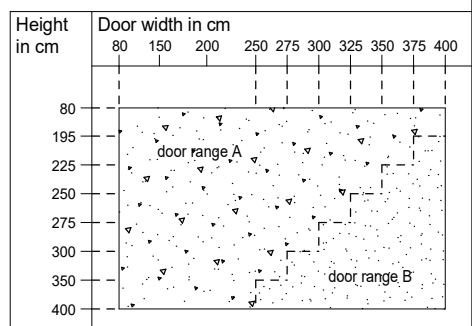
Detail W:
water drain recommendation
floor level according to DIN EN 12489



Detail Y: fixing points for motor side ground plate:
2 points door range A
3 points door range B
right side ground plate:
3 points fixing hole 15x30

Dim.	Door range		Remarks
	A	B	
aM	155	235	
bM	160	285	without locking system
	215	285	with locking system
c	360	435	at ANP=S
	/	295	at ANP=U
e	460		H ≤ 2565
	485		2565 < H ≤ 3000
	530		3000 < H ≤ 4000
f	485		H ≤ 2565
	535		2565 < H ≤ 3000
	575		3000 < H ≤ 4000
h	226		H ≤ 3000 and ANP=S
	200		3000 < H ≤ 4000 and ANP=S
	/	580	at ANP=U
i	1245		H ≥ 2200
	H - 955		1800 ≤ H < 2200
K	40		installation clearance top
	150		installation clearance top with spiral cover top
n	1455		H ≥ 2200
	980		H ≥ 2200, P1, control on frame without locking system
	H - 745		1800 ≤ H < 2200
	H - 1220		1800 ≤ H < 2200, P1, control box on frame, without locking
QM	ca. 150		installation clearance ANP=S
	ca. 80		installation clearance ANP=U
Q	ca. 80		installation clearance
R	min. 300		installation clearance
S	ca. 25		installation clearance
x	315		H ≤ 2565
	338		2565 < H ≤ 3000
	383		3000 < H ≤ 4000
y	75	140	
ANP			electric drive position
B			clear width
H			clear height

Unless otherwise stated, all dimensions are in mm.



Weitergabe, Vervielfältigung sowie Verwertung des Inhaltes dieser Zeichnung sind verboten, soweit nichts ausdrücklich vereinbart. Diese Zeichnung ist urheberrechtlich geschützt.
ISO 16016

The reproduction, distribution and utilization of this drawing as well as the communication of its contents to third parties without explicit authorisation is prohibited.
This drawing is protected by copyright.
ISO 16016

Le dessin reste notre propriété.
Il n'est pas permis de le multiplier sans notre consentement, ni de soumettre aux autres personnes ni d'abandonner à la concurrence pour quelques intentions. Ce dessin est protégé par le droit d'auteur.
ISO 16016

	Date	Name
Drawn	21.05.2025	Breznikar
Appr.		

EFAFLEX
schnelle und sichere Tora

EFAFLEX Tor- und Sicherheitssysteme GmbH & Co.KG
Fliederstraße 14
D-84079 Bruckberg

HIGH-SPEED SPIRAL DOOR
"L" - version
round spiral
for parking and garage systems

Type: **EFA-SST®-L PS**
Drawing No.: **278 R08**
Repl. for: 278 R07