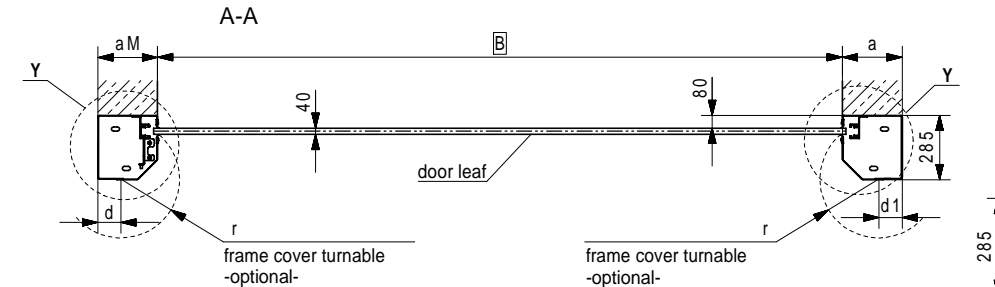
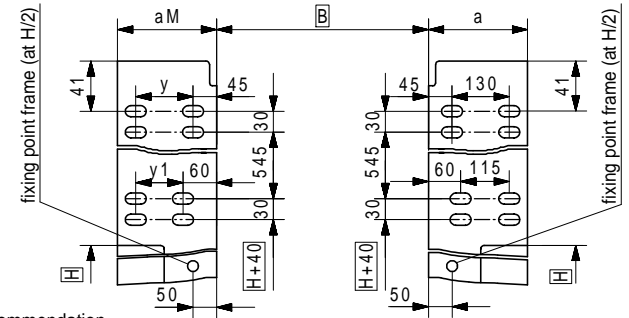


Dim.	Door range mm		Remarks
	A	B	
aM	175	240	
a	230	240	
a1	/	160	
b1	/	40	
c	235	300	
y	90	130	
y1	75	115	
r	226	240	
d	40	84	
d1	95	84	
f	1175		$H \leq 3000$
	1550		$3000 < H \leq 4100$
	1850		$4100 < H \leq 5000$
n	H - 445		$H < 2000$
	1455		$H \geq 2000$
v	40		spiral cover sheed
	70		spiral cover lath
K	100		installation clearance
	150		installation clearance with spiral cover top
Q	ca. 80		installation clearance
R	min. 335		installation clearance
B			clear width
H			clear height

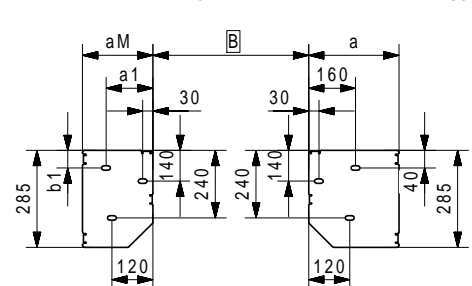
Unless otherwise stated, all dimensions are in mm.



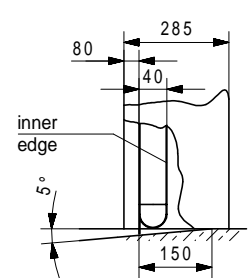
**Detail X:**  
fixing points for frame  
at least 2 points fixing hole 15 x 30



**Detail Y:**  
fixing points for ground plate  
3 points fixing hole 15 x 30



**Detail W:**  
water drain recommendation  
floor level according to DIN EN 12489



Height in cm	Door width in cm									
	120	150	200	250	300	350	400	450		
180	<p>door range A</p> <p>door range B</p>									
200										
250										
300										
350										
400										
450										
500										